

**Instruction Manual**  
*(original instructions)*

**Manual de instrucciones**  
**Guide d'utilisation**

**Model AC1234-9**



Recover, Recycle, Recharge Machine  
for R1234yf A/C System

---

*Description: Recover, recycle, and recharge machine for use with R1234yf equipped air conditioning systems.*

### **PRODUCT INFORMATION**

Record the serial number and year of manufacture of this unit for future reference. Refer to the product identification label on the unit for information.

Serial Number: \_\_\_\_\_ Year of Manufacture: \_\_\_\_\_

**DISCLAIMER:** Information, illustrations, and specifications contained in this manual are based on the latest information available at the time of publication. The right is reserved to make changes at any time without obligation to notify any person or organization of such revisions or changes. Further, ROBINAIR shall not be liable for errors contained herein or for incidental or consequential damages (including lost profits) in connection with the furnishing, performance, or use of this material. If necessary, obtain additional health and safety information from the appropriate government agencies, and the vehicle, refrigerant, and lubricant manufacturers.

---

# Table of Contents


<b>Safety Precautions</b> . . . . .	<b>2</b>	<b>Operating Instructions</b> . . . . .	<b>17</b>
Explanation of Safety Signal Words . . . . .	2	Enter Service Data . . . . .	17
Explanation of Safety Decals. . . . .	2	Recover Refrigerant from a Vehicle. . . . .	18
Protective Devices. . . . .	4	Evacuate the Vehicle A/C System . . . . .	19
Refrigerant Tank Test. . . . .	4	Flushing the Hoses . . . . .	20
J2843 Requirement Regarding Lubricant . . . . .	4	Recharge the Vehicle A/C System. . . . .	21
Caution Statement — Modifications . . . . .	4	Automatic Function . . . . .	22
<b>Introduction</b> . . . . .	<b>5</b>	System Flush. . . . .	23
Technical Specifications . . . . .	5	Maintenance Schedule . . . . .	25
Features . . . . .	6	<b>Maintenance</b> . . . . .	<b>26</b>
Icon Legend. . . . .	8	Adjust Background Fill Target . . . . .	26
Main Menu Functions . . . . .	9	Tank Fill . . . . .	26
Info and Status. . . . .	9	Filter Maintenance. . . . .	27
Settings . . . . .	9	Check Remaining Filter Capacity. . . . .	27
Setup Menu Functions. . . . .	10	Replace the Filter . . . . .	28
Calibration Check. . . . .	10	Calibration Check . . . . .	29
Filter Maintenance . . . . .	10	Change Vacuum Pump Oil . . . . .	30
Flush Hoses . . . . .	10	Leak Check . . . . .	31
Production Menu . . . . .	10	Print a Service Record. . . . .	32
Pump Maintenance . . . . .	10	Update Software . . . . .	32
Refrigerant Management . . . . .	10	Replace the Oxygen Sensor . . . . .	33
System Flush . . . . .	10	Replacement Procedure . . . . .	33
Service Menu . . . . .	10	Refrigerant Identifier . . . . .	34
Tank Fill . . . . .	10	Replace Service Hoses and/or	
Hose Equalize . . . . .	10	Service Couplers . . . . .	35
Internal Tank Status . . . . .	10	Tank fill Hose Filter Service . . . . .	35
Buzzer Settings . . . . .	10	Cleaning the Tank fill Hose Filter . . . . .	36
Leak Check . . . . .	10	<b>A/C Service Function</b> . . . . .	<b>37</b>
Replace Service Hoses . . . . .	10	Replacement Parts . . . . .	37
System Information . . . . .	10	Glossary . . . . .	37
Boost Refrigerant . . . . .	11	<b>Troubleshooting Messages</b> . . . . .	<b>38</b>
Temperature Sensor Snapshot . . . . .	11	<b>Troubleshooting Procedures</b> . . . . .	<b>42</b>
Default Vacuum Time . . . . .	11	Setup, Tank Fill, and Background Tank Fill Functions . . . . .	42
Adjust Background Fill Target. . . . .	11	Display Message: Purity Test Failed . . . . .	42
Operating Requirements and Conditions . . . . .	11	Recovery Function or Automatic Function. . . . .	43
FCC ID. . . . .	11	Display Message: Purity Test Failed . . . . .	43
Mobile Device RF Exposure Statement. . . . .	11	<b>Storage and Transportation of Equipment</b> . . . . .	<b>44</b>
FCC Part 15 Statement . . . . .	11	Storage . . . . .	44
<b>Initial Setup</b> . . . . .	<b>12</b>	Transportation of Equipment . . . . .	44
Unpack the Accessory Kit . . . . .	12	<b>Disposal of Equipment</b> . . . . .	<b>45</b>
Power Up the Machine . . . . .	12	Disposal of Recycled Materials . . . . .	45
Select Language . . . . .	13	Disposal of the Machine . . . . .	45
Connect to a Wireless (Wi-Fi) Network . . . . .	13	Disposal of Batteries . . . . .	45
Setup a Wireless Printer . . . . .	13		
Edit Print Header . . . . .	13		
Select Units . . . . .	14		
Set Date and Time. . . . .	14		
License Agreement . . . . .	14		
Service Vacuum. . . . .	14		
Adjust Background Fill Target . . . . .	14		
Tank Fill . . . . .	15		
Unit Registration . . . . .	16		


# Safety Precautions


---

## Explanation of Safety Signal Words Used in this Manual

The safety signal word designates the degree, or level, of hazard seriousness.

 **DANGER:** Indicates an imminently hazardous situation which, if not avoided, will result in death or serious injury.

 **WARNING:** Indicates a potentially hazardous situation which, if not avoided, could result in death or serious injury.

 **CAUTION:** Indicates a potentially hazardous situation which, if not avoided, could result in minor or moderate injury.

**CAUTION:** Used without the safety alert symbol indicates a potentially hazardous situation which, if not avoided, could result in property damage.

These safety messages cover situations Robinair is aware of. Robinair cannot know, evaluate, or advise as to all possible hazards. The user must verify that conditions and procedures do not jeopardize personal safety.

## Explanation of Safety Decals Used on the Machine

	Carefully read the instructions.
	Do not use in open air in case of rain or high humidity.
	Wear gloves.
	Wear protection goggles.
	Alternating voltage.
	Grounding protection.
	Electrical shock hazard.

# Safety Precautions



**WARNING:** To prevent personal injury,



**ALLOW ONLY QUALIFIED PERSONNEL TO OPERATE THE MACHINE.** Before operating the machine, read and follow the instructions and warnings in this manual. The operator must be familiar with air conditioning and refrigeration systems, refrigerants, and the dangers of pressurized components. If the operator cannot read this manual, operating instructions and safety precautions must be read and discussed in the operator's native language.



**USE THE MACHINE AS OUTLINED IN THIS MANUAL.** Using the machine in a manner for which it was not designed will compromise the machine and nullify the protections provided.



**PRESSURIZED TANK CONTAINS LIQUID REFRIGERANT.** Do not overfill the internal storage vessel (ISV). Overfilling can cause explosion resulting in personal injury or death. Do not recover refrigerants into nonrefillable containers; use only type-approved refillable containers that have pressure relief valves.



**HOSES CAN CONTAIN LIQUID REFRIGERANT UNDER PRESSURE.** Contact with refrigerant can cause personal injury, including blindness and frozen skin. Wear protective equipment, including goggles and gloves. Disconnect hoses using extreme caution. Ensure the phase is complete before disconnecting the machine to prevent the release of refrigeration to the atmosphere.



**AVOID BREATHING A/C REFRIGERANT AND LUBRICANT VAPOR OR MIST.** Exposure can irritate eyes, nose, and throat. To remove refrigerant from the A/C system, use only equipment certified for the type of refrigerant being removed. Use the unit in locations with mechanical ventilation that provides at least four air changes per hour. If accidental system discharge occurs, ventilate the work area before resuming service.

**DO NOT DISPERSE REFRIGERANT INTO THE ENVIRONMENT.** Prevent the possible presence of refrigerant in the working environment.



**TO REDUCE THE RISK OF FIRE,** do not use the machine in the vicinity of spilled or open containers of gasoline or other flammable substances.

**TO REDUCE THE RISK OF FIRE,** do not use an extension cord. An extension cord can overheat and cause fire. If an extension cord must be used, use the shortest possible cord with a minimum size of 14 AWG.

**TO REDUCE THE RISK OF FIRE,** do not use the machine in the vicinity of flames and hot surfaces. Refrigerant can decompose at high temperatures and free toxic substances to the environment that can be noxious to the user.

**TO REDUCE THE RISK OF FIRE,** do not use the machine in environments containing explosive gases or vapors.

**TO REDUCE THE RISK OF FIRE,** do not use this machine in ATEX classified zones or areas. Protect the machine from conditions that can cause electrical failure or other hazards relating to ambient interaction.



**CAUTION—DO NOT PRESSURE TEST OR LEAK TEST EQUIPMENT AND/OR VEHICLE AIR CONDITIONING SYSTEMS WITH COMPRESSED AIR.** Mixtures of air and R1234yf refrigerant can be combustible at elevated pressures. These mixtures are potentially dangerous and can result in fire or explosion causing personal injury and/or property damage.



**HIGH VOLTAGE ELECTRICITY INSIDE THE MACHINE HAS A RISK OF ELECTRICAL SHOCK.** Exposure can cause personal injury. Disconnect power before servicing the machine.

**NEVER LEAVE THE MACHINE LIVE IF AN IMMEDIATE USE IS NOT SCHEDULED.** Disconnect the electrical supply before a long period of inactivity or before internal maintenance is performed.

**DO NOT MODIFY THE PRESSURE RELIEF VALVE OR CHANGE THE CONTROL SYSTEM SETTINGS.** Using the machine in a manner for which it was not designed will compromise the machine and nullify the protections provided.

**Additional health and safety information can be obtained  
from refrigerant and lubricant manufacturers.**

# Safety Precautions

---

CAUTION : To prevent equipment damage,

---



**TO PREVENT CROSS-CONTAMINATION, USE THIS MACHINE WITH R1234YF REFRIGERANT ONLY.**

The machine is equipped with special connectors to recover, recycle, and recharge only R1234yf refrigerant. Do not attempt to adapt the machine for another refrigerant. Do not mix refrigerant types through a system or in the same container; mixing of refrigerants will cause severe damage to the machine and the vehicle air conditioning system.

**DO NOT USE THIS MACHINE IN DIRECT SUNLIGHT.** Position the machine far from heat sources, such as direct sunlight, which can cause excessive temperatures. The use of this machine under normal environmental conditions (10°C to 50°C) keeps pressures under reasonable limits.



**DO NOT USE THIS MACHINE OUTDOORS DURING RAIN OR HIGH HUMIDITY.** Protect the machine from conditions that can cause electrical failure or other hazards relating to ambient interaction.

**DO NOT USE THIS MACHINE IN AREAS WHERE THERE IS A RISK OF EXPLOSION.**

**SET UP THE MACHINE ON AN EVEN SURFACE AND UNDER SUFFICIENT LIGHTING. LOCK THE FRONT WHEELS, AND DO NOT SUBJECT THE MACHINE TO VIBRATION.**

**TO AVOID CHEMICAL INCOMPATIBILITIES WITH THE INTERNAL COMPONENTS OF THE MACHINE, USE ONLY OILS APPROVED BY THE VEHICLE MANUFACTURER.** Problems resulting from the use of non-approved oils will void the warranty.

**Additional health and safety information can be obtained from refrigerant and lubricant manufacturers.**

## Protective Devices

The machine is equipped with the following protective devices:

- Over pressure valves.
- A maximum pressure switch stops the compressor when excessive pressure is sensed.



**WARNING: Tampering with these protective devices could result in serious injury.**

---

## Refrigerant Tank Test

Official records and recurring tests necessary for pressurized instruments are governed by laws and/or national regulations dependent upon the country where the refrigerant tank is used. The system manager is responsible for compliance with laws, regulations, and technical rules. During normal service, refrigerant tanks do not need maintenance. Refer to the Maintenance section of this manual for more information.

## J2843 Requirement Regarding Lubricant

Only new lubricant, as specified by the system manufacturer, shall be installed in the MAC System. Lubricant removed from the system and/or the equipment shall be disposed of in accordance with the applicable federal, state and local procedures and regulations.

## Caution Statement — Modifications

---

**CAUTION: Any changes or modifications not expressly approved by Bosch Automotive Service Solutions may void the user's authority to operate the equipment.**

---

This machine is used on R1234yf equipped vehicles and is designed to be compatible with existing service equipment and standard service procedures. This machine is a single-pass system (i.e. refrigerant flows through a filter once) that meets specifications for recycled refrigerant. Follow recommended service procedures for the containment of R1234yf.

In order to meet the SAE J2843 specification for a machine that is capable of servicing both conventional belt-driven compressors and the high-voltage electric compressors found on hybrid vehicles, the internal oil charge feature has been removed, and both service hose flush and vehicle A/C system flush features have been added.

The unit includes a 1.5 cfm (42 l/m) high-vacuum pump for fast, thorough evacuation. The compressor pulls the A/C system to 0 psig, then works in series with the vacuum pump to achieve highly efficient recovery and immediate recharge. If the system is not opened for service, there is no need to pull additional vacuum. If the system is opened for service, use the unit's vacuum cycle to remove air and moisture from the A/C system. (A minimum 10-minute vacuum is recommended, or follow the vehicle manufacturer's specifications.)

**CAUTION:** R1234yf systems require special oils. To prevent equipment damage, refer to the A/C system manufacturer's service manual for oil specifications.

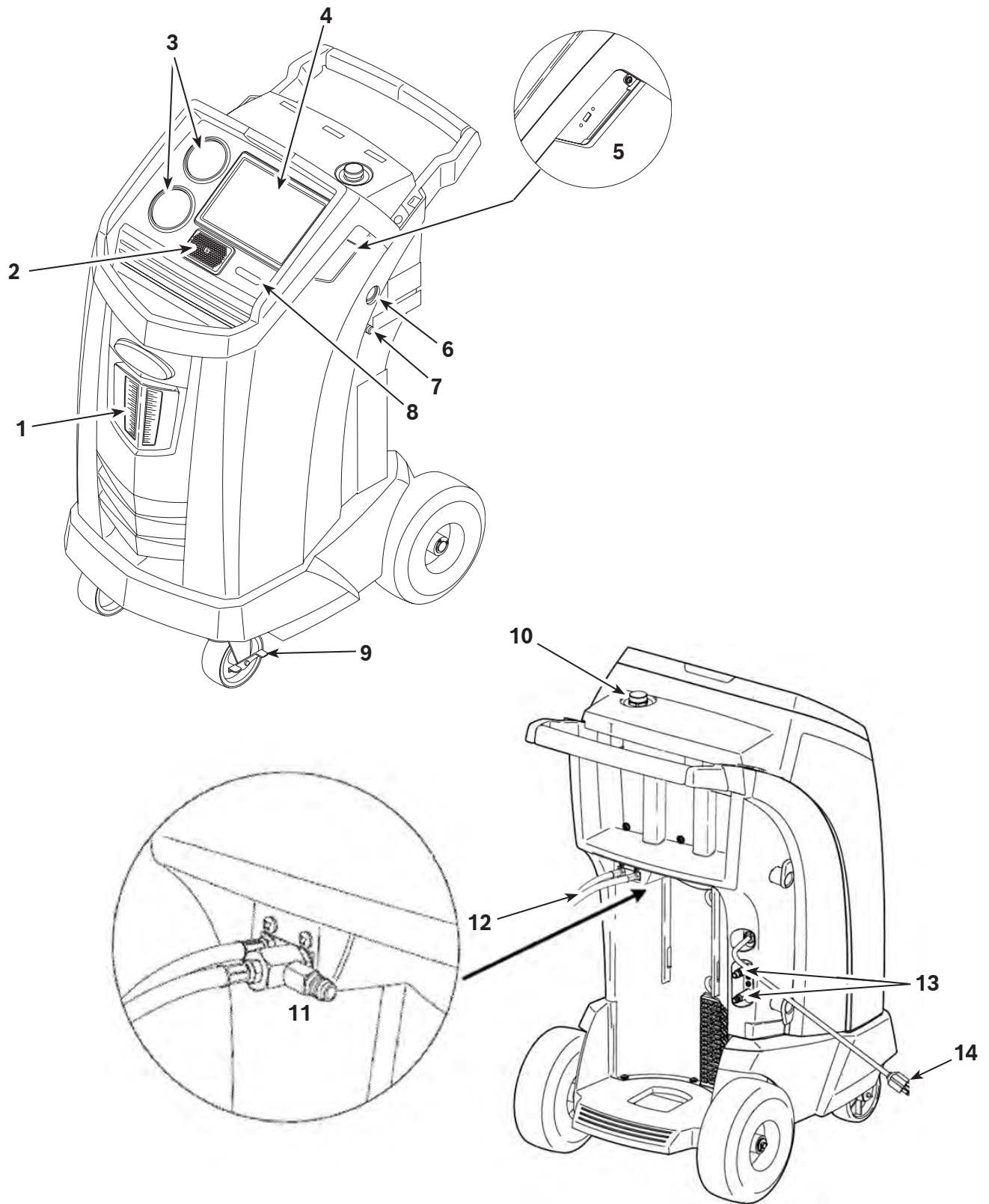


## Technical Specifications

<b>Dimensions</b> .....	107 cm x 56 cm x 80 cm
<b>Display</b> .....	10.1 in. LCD Touchpanel
<b>Filter</b> .....	150 kg (330 lb)
<b>Humidity</b> ..	10-50°C (50-122°F), 86% RH non-condensing
<b>Manometer</b> .....	Ø 100 mm (3.9 in.)
<b>Maximum Pressure</b> .....	31 bar (450 PSI)
<b>Noise</b> .....	<70 dB(A)
<b>Nominal Voltage</b>	
AC1234-9 .....	115V, 60 Hz
<b>Oil Bottle Capacity</b> .....	355 ml (12 oz)
<b>Operating Temperature</b> ...	10°C to 50°C (50°F to 122°F)
<b>Power Consumption</b> .....	1380 W
<b>Vacuum Pump Free-Air Displacement</b>	
.....	1.5 CFM (42 L/m) @ 60 Hz
<b>Service Hoses</b> .....	2.74 m / SAE J2886
<b>Tank Capacity</b> .....	9.5 kg (20.94 lb)
<b>Weight</b> .....	82 kg (176 lb)

# Introduction

## Features





Item No.	Description
1	Oil Drain Bottle
2	Speaker
3	Low-side (blue) and High-side (red) Manifold Gauges
4	LCD Touchscreen Display
5	USB Connections (detailed view shown without protective cover)
6	Vacuum Pump Oil Sight Glass
7	Vacuum Pump Oil Drain Fitting
8	Power Switch
9	Wheel Lock
10	Vacuum Pump Oil Fill Cap and Port
11	Contamination Recovery Port
12	Service Hoses
13	Service Hose Storage Ports
14	Power Cord

# Introduction

---

## Icon Legend



### **AUTOMATIC ICON**

Pressing this icon will initiate the automatic refrigerant recovery, vacuum, and charge process.



### **RECOVER ICON**

Pressing this icon will initiate the refrigerant recovery process.



### **VACUUM ICON**

Pressing this icon will initiate the system vacuum process.



### **CHARGE ICON**

Pressing this icon will initiate the refrigerant charge process.



### **VEHICLE LOOKUP ICON**

Pressing this icon will initiate the system diagnosis process.



### **HELP ICON**

Pressing this icon will provide help and information corresponding to the current screen and/or function being viewed or performed.



### **BACK ICON**

Pressing this icon will return to the previous screen.



### **HOME ICON**

Pressing this icon will return to the home screen.



### **RECENT APPS ICON**

Pressing this icon will open a list of thumbnail images of Apps that have recently been used.



### **VOLUME ICON**

Pressing this icon will allow the user to increase or decrease the audio volume.



### **BLUETOOTH ICON**

Pressing and holding this icon will allow the user to configure Bluetooth settings and connect external devices.



### **WIFI ICON**

Pressing and holding this icon will allow the user to connect the machine to a wireless network. The connection status and relative signal strength are also indicated by this icon.



### **BATTERY ICON**

This icon will always indicate that the unit is charging. This is a normal function caused; there is no internal battery in the unit.

## Main Menu Functions

### Info and Status

Displays the storage tank refrigerant capacity for recovery and charge. Also displays the quantity of system oil in each storage bottle. Recovery Capacity, Charge Capacity are also displayed in this menu.

### Settings

#### **General Settings**

Displays model name and serial number and provides the following settings options:

- **Unit of Measure**  
Select between imperial or metric units.
- **Date**  
Displays the current date.
- **Time**  
Displays the current time. User can change the time by selecting the appropriate time zone.

#### **Software Information**

Displays the current software version and publication date. Provides a notification and option to install an updated software version, if available. Displays additional software information as well as links to the release notes and license information. Open source software details can also be viewed.

#### **Edit Print Header**

Programs information that will appear on the service printout including: shop name, address, website, email, and phone number.

#### **Printer Settings**

Printing from machine will use Google Cloud Print, additional information about this can be found at <https://www.google.com/cloudprint/learn/>.

Displays current printer being used by machine as well as a drop down menu which displays available printers.

#### **Select Language**

Select a language for the screen prompts. English is the default language.

#### **Owner's Manual**

Provides link to view a PDF of the most up-to-date Owner's Manual within the browser.

#### **Video Library**

Provides links to instructional videos and product information.

#### **Contact Robinair**

Provides phone and email information for Robinair Customer, Technical, and International Service support.

#### **Registration**

Failure to register and activate the machine within 30 days of initial startup will cause the machine to lock out and no longer function. Select this Settings Menu item and follow the prompts before the trial period expires. Allows user to update registration.

#### **Subscriptions**

Displays the status of a subscription to a reference diagnostic database and provides a link to change the subscription status. This page also displays the status of subscription(s) to Service Data Uploads.

# Introduction

---

## Setup Menu Functions

Access the following functions by selecting **SETUP MENU**.

### **Calibration Check**

Use to verify internal scale calibration. Refer to Calibration Check in the Maintenance section of this user manual.

### **Filter Maintenance**

The filter removes acid, particulates, and moisture from the refrigerant. The filter must be replaced after 150 kg (330 lb) of refrigerant has been filtered. This menu item displays the filter capacity remaining until the machine locks down and no longer functions. Refer to Filter Maintenance in the Maintenance section.

### **Flush Hoses**

Flushes residual oil from the machine's service hoses to prepare for service of next vehicle.

### **Production Menu**

For Robinair production use only.

### **Pump Maintenance**

Displays the amount of time remaining until the next vacuum pump oil change is needed. For maximum vacuum pump performance, change vacuum pump oil every time the filter is replaced. Refer to the Change Vacuum Pump Oil in the Maintenance section.

### **Refrigerant Management**

Displays the amount of refrigerant recovered, charged, and replenished (for the life of the machine), and filtered since the last filter change.

### **System Flush**

Removes oil by forcing liquid refrigerant through an A/C system or components of an A/C system. After flushing, the refrigerant is recovered by the machine and filtered by the recycling circuit.

### **Service Menu**

For Robinair service center use only.

### **Tank Fill**

Transfers refrigerant from a source tank to the ISV. The tank fill value may be adjusted up or down to suit the user's needs. Refer to Tank Fill in the Maintenance section.

### **Hose Equalize**

Recovers refrigerant from the service hoses back into the vehicle A/C system. This item is useful after performing diagnostics that do not require the need to recover the A/C system into the RRR machine. The user will be prompted to connect the low-side service hose to the appropriate port and to start the vehicle's A/C system on max.

### **Internal Tank Status**

Displays the amount of refrigerant in the tank, tank temperature, tank pressure, and the calculated saturated vapor pressure based on the temperature.

### **Buzzer Settings**

Configures the settings on the notification buzzer. Buzzer can be switched on or off.

### **Leak Check**

Performs an internal leak check of the unit. A small quantity of refrigerant is used to charge the unit and pressure decay is monitored. The user may inspect for leaks with an external leak detector (not included). Refrigerant is recovered from the system and a vacuum is applied. Similarly, the system monitors for a change in pressure, and notifies the user if a leak is detected.

### **Replace Service Hoses**

Removes any refrigerant remaining from the service hoses before replacement.

### **System Information**

Displays the revision level of the software in the machine.

## **Boost Refrigerant**

Allows the user to add incremental refrigerant to a vehicle.

## **Temperature Sensor Snapshot**

Allows the user to select whether the internal vehicle temperature should be recorded before and after service. A wireless temperature probe must be purchased separately.

## **Default Vacuum Time**

Allows the user to specify the default time a vehicle system is held under vacuum during a leak test.

## **Adjust Background Fill Target**

Allows the user to adjust the desired refrigerant tank level. An external refrigerant tank must be connected to support this function.

## **Operating Requirements and Conditions**

The design of WiFi/BT Module Card complies with U.S. Federal Communications Commission (FCC) guidelines respecting safety levels of radio frequency (RF) exposure for Mobile devices.

## **FCC ID**

This product contains FCCID: 2AHLA-SP01500243

## **Mobile Device RF Exposure Statement**

RF Exposure - This device is only authorized for use in a mobile application. At least 20 cm of separation distance between the WiFi/BT Module Card device and the user's body must be maintained at all times.

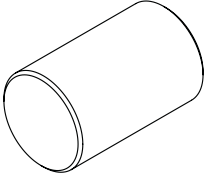

## **FCC Part 15 Statement**

This equipment has been tested and found to comply with the limits for a Class A digital device, pursuant to part 15 of the FCC Rules. These limits are designed to provide reasonable protection against harmful interference when the equipment is operated in a commercial environment. This equipment generates, uses, and can radiate radio frequency energy and, if not installed and used in accordance with the instruction manual, may cause harmful interference to radio communications. Operation of this equipment in a residential area is likely to cause harmful interference in which case the user will be required to correct the interference at their own expense.

# Initial Setup

## Unpack the Accessory Kit

Unpack the accessory kit from the box, and remove the plastic packaging.

Calibration Check Weight 533 g (1.18 lb)	
Tank Fill Hose Adapter	
Pouch containing the user manual, SDSs, EPA information, MACS information, and a service center list.	



**WARNING:** To prevent personal injury while working with refrigerant, read and follow the instructions and warnings in this manual, and wear protective equipment such as goggles and gloves.

### IMPORTANT:

- This procedure can take several hours. Perform this initial setup procedure **BEFORE** the machine is needed for its first vehicle A/C service.
- During initial setup, the machine prompts through the following steps. Any changes to these settings after the initial setup can be completed through the Unit Setup menu.



**CAUTION:** The machine is programmed to run the setup procedure as outlined here. To prevent personal injury, do **NOT** operate the machine without the oil fill port installed because the vacuum pump is pressurized during normal operation.

## Power Up the Machine

1. Unwind the power cord from the handle, and plug it into a correct voltage, grounded outlet.  
*Note: For best performance, do not use an extension cord with the unit.*
2. Position the machine so the plug and the power switch are easily accessible to the user. Verify the fan vents on the rear of the machine are not obstructed.
3. Lock the front wheels.
4. Toggle the power switch on the control panel to turn the machine ON.

The machine launches into the initial Setup mode.

## Select Language

The user selects the language for the screen prompt displays.

## Connect to a Wireless (Wi-Fi) Network

To fully utilize the functions of this machine, a wireless connection is required. Instructions for how to connect the ACS machine to a wireless network are listed below:

1. Plug in and turn on the machine.
2. After the machine has booted up, drag down from the top edge of the screen and select to enter the Settings Application.
3. Select **NETWORK AND INTERNET** from the Setting Application and then select **WI-FI**. Verify that Wi-Fi is turned on before attempting to connect.
4. Select a wireless network from the list of available networks and enter the network password, if required. The network is now saved and will automatically be connected when the machine is on and within range of the network. The connection status will be indicated next to the network name.

## Setup a Wireless Printer

A wireless printer must be connected to the machine to print information and reports. This machine uses Google Cloud Print, more information can be found at <https://www.google.com/cloudprint/learn/>. General setup instructions are given below. Please also refer to the printer manufacturer instructions for additional information to connect a wireless printer.

1. Verify both the printer and machine are turned on and connected to the same wireless network. Refer to the printer manufacturer instructions for connecting the printer to a wireless network. Refer to Connect to a Wireless Network in this manual to connect the machine.
2. After the machine has booted up, drag down from the top edge of the screen and select to enter the Settings application.
3. Select **CONNECTED DEVICES** then **PRINTING**.
4. To add a printer, select **MORE** and then select the printer.

## Edit Print Header

This machine has the capability to store and print recovery, vacuum, charge, and flush information for recently serviced

# Initial Setup

vehicles. The information loaded into **EDIT PRINT HEADER** will appear on each printout.

Follow the prompts on the screen to enter the following information:

- Shop Name
- Address
- Website
- Email
- Phone number

## Select Units

The user sets the display for units of measure. If Imperial is selected, weights will be displayed in Metric units (per SAE standard J2843); pressures and temperature will be displayed in Imperial units.

## Set Date and Time

Follow the screen prompts to set date and time. The user can change the time zone and time format as well as choose to have the date and time automatically updated by the network.

## License Agreement

Review the license agreement and follow the prompts on the screen to continue.

## Service Vacuum

At this point the machine clears its internal plumbing before proceeding with setup.

1. Check the vacuum pump oil level sight glass and verify the oil level is at the center of the sight glass.
2. When prompted, connect the service hoses from the machine to their storage ports as shown in Figure 1 and turn coupler valves clockwise to open valves.
3. The machine enters a 5-minute vacuum and will automatically enter the next setup process when complete.

## Adjust Background Fill Target

This machine possesses a background tank fill feature. An external refrigerant storage vessel can be fluidly connected to the machine (using the black tank fill hose) for a continuous topping off of the internal storage vessel. Drawing from the refrigerant within the connected external storage vessel, the machine will periodically charge the ISV tank to the desired fill target. Enter the desired fill target (default amount is 4.54 kg).

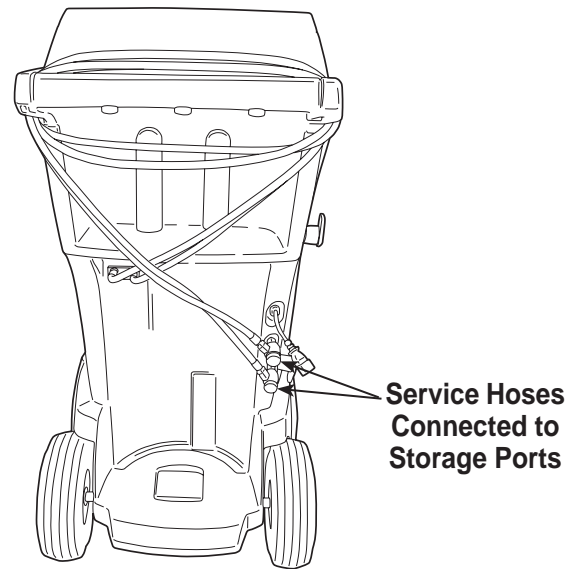
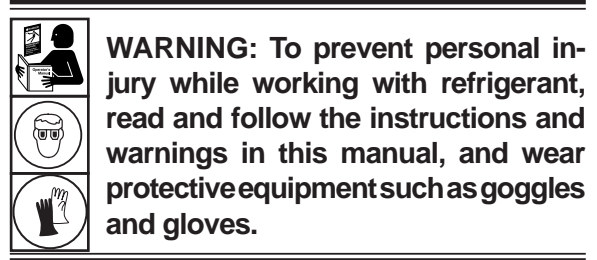


Figure 1



## Tank Fill

This procedure transfers refrigerant from a source tank to the internal storage vessel (ISV) in the machine. The maximum capacity of the ISV is 9.5 kg (21 lb).

1. The machine displays fields for desired tank fill amount, charge capacity, and the amount of recoverable refrigerant (recover capacity) within the internal storage vessel. Enter the desired tank fill amount.

*Note: Add at least 3.6 kg of refrigerant to ensure enough is available for charging.*

2. Connect the tank fill (black) hose to the liquid connector on the source tank.
3. Open the source tank valve.
4. Position the source tank in such a way that liquid refrigerant is supplied to the connection.
5. Follow the screen prompts. The machine checks the refrigerant in the source tank to verify that it is R1234yf and uncontaminated.
6. Follow the screen prompts to start the tank fill process. The machine begins filling the internal storage vessel (ISV). Add at least 3.6 kg of refrigerant to ensure enough is available for charging. This process takes 15–20 minutes.
7. The machine stops when the designated amount of refrigerant has been transferred to the ISV or when the source tank is empty. Follow the messages on the display.
8. Close the source tank valve.
9. Follow the screen prompts to return to the Setup Menu.

The machine is ready for operation.

*Note:*

- *There is no need to calibrate the scale; it is calibrated at the factory.*
- *After the tank fill process is complete, the display does not show the same amount as the programmed fill level. The display shows the amount of refrigerant that is available for charging, which is approximately 0.67 kg (1.4 lb) less than the total amount of refrigerant in the tank.*

*Note:*

**Charge Capacity:** *The amount of refrigerant in the ISV that can be charged into a vehicle A/C system.*

**Recover Capacity:** *The amount of additional refrigerant that could be recovered into the ISV.*

# Initial Setup

---

## Unit Registration

Failure to register and activate the machine within 30 days of initial startup will cause the machine to lock out and no longer function.

1. After powering on the machine, follow the prompts to Register Now or Register Later.
2. Connect to a wireless network, if not already connected.
3. Select New Account, if creating a new account, otherwise select Existing Account. Follow the prompts to continue
4. Enter the required registration information including name and contact information.
5. Enter the activation code into the correct field and follow the prompts to complete the registration process.

*Note: Enter the code exactly as received. Capitalization is required.*

## Enter Service Data

After selecting any service function, information about the vehicle may be entered into and stored in the machine's database.


Information entered on this screen is stored by date and vehicle identification number (VIN). The most recent vehicle's data appears at the top of the list. The information will also appear on service summary printouts.

Users can also look up vehicle specifications such as type of oil and quantity and type of refrigerant and quantity.

# Operating Instructions



## Recover Refrigerant from a Vehicle

1. Empty the oil drain bottle before starting a recovery. Remove the oil drain bottle from the machine by pulling the bottle straight down—do not use a twisting or rocking motion. Reinstall the oil drain bottle. See Figure 2.
2. Connect the high-side (red) and low-side (blue) service hoses to the vehicle A/C system.
3. Open the coupler valves on the hoses by turning the collars clockwise.
4. Select **RECOVER**  from the **MAIN MENU**.
5. The machine will display the service data entry form. Enter all applicable data and follow prompts to continue. The machine checks the refrigerant in the vehicle to confirm that it is R1234yf and uncontaminated. If the refrigerant purity is acceptable, the machine begins the recovery process. A clicking noise occurs when the solenoid is activated — this is normal.

The machine runs a self-clearing cycle to clear any internal refrigerant from its internal plumbing.

System recovery begins and includes a timed vacuum, deep recovery process.

After recovery, the machine will perform an oil drain, which may require up to 90 seconds to complete.

6. After the oil drain is complete, a summary is displayed showing the total amount of refrigerant recovered. The user is prompted to check oil drain bottle to note the amount of oil drained. Recovery information can be printed by selecting print.

*Note: The displayed recovered weight can vary depending on ambient conditions and should not be used as an indicator of scale accuracy.*

*Note: The amount of oil that was removed from the A/C system is the amount of new oil that should be charged into the A/C system after evacuation is complete.*

*Only new lubricant, as specified by the system manufacturer, may be installed in the MAC System. Lubricant removed from the system and/or the equipment shall be disposed of in accordance with the applicable federal, state, and local procedures and regulations.*



**WARNING:** To prevent personal injury while working with refrigerant, read and follow the instructions and warnings in this manual, and wear protective equipment such as goggles and gloves.

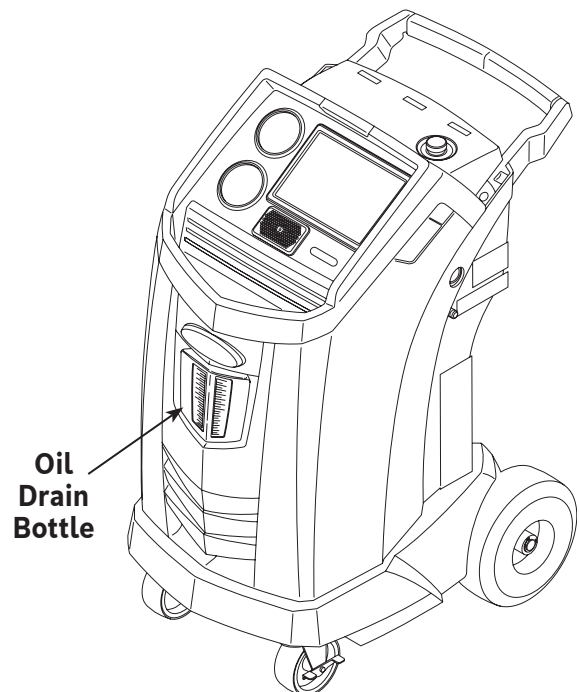



Figure 2



## Evacuate the Vehicle A/C System

1. Connect the service hoses to the vehicle's service ports.
2. Open the service hose coupler valves by turning the collars clockwise.
3. Select **VACUUM**  from the **MAIN MENU**. If a vehicle has not already been selected, enter the vehicle service info and follow the prompts to continue.
4. Select Vacuum Leak Check, if desired, to automatically perform a 5-minute pressure rise leak check after the vacuum.
5. Enter the desired vacuum time and follow the prompts to continue.

*Note: The vacuum process will halt if pressure rises above .35 bar (5 psi). Recover refrigerant before proceeding.*

The machine pulls a vacuum on the A/C system for the programmed amount of time.

Select print to print vacuum info.



**WARNING:** To prevent personal injury while working with refrigerant, read and follow the instructions and warnings in this manual, and wear protective equipment such as goggles and gloves.

# Operating Instructions

## Flushing the Hoses

If the next vehicle to be serviced contains a different type of oil than the previous vehicle serviced, it is recommended the service hoses be flushed of residual oil to prevent contamination.

1. Select **FLUSH HOSES** from the **SETUP MENU**. Follow the prompts to connect service hoses to storage ports and open coupler valves.
2. Connect the service hoses to the machine's storage port connections as shown in Figure 3.
3. Open the service hose coupler valves by turning the collars clockwise.
4. Follow the prompts to begin the hose flush process, which runs for three minutes, followed by a recovery.  
Select Exit to return to the **MAIN MENU** when the hose flush is complete.
5. Close the coupler valves by turning the collars counter-clockwise.

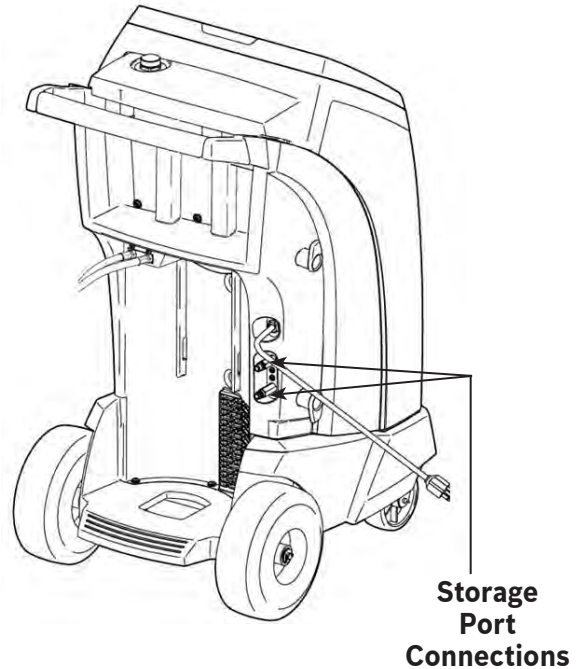


Figure 3




## Recharge the Vehicle A/C System

The following tests are automatic and are performed as required by SAE J2843:

- Vacuum test that runs 5-20 minutes to achieve the correct level
- 5-minute vacuum rise test
- 15% charge
- Manual leak test using a leak detector certified to SAE J2913

Notes:

- *J2843 leak testing is intended to find a gross leak before charge, for safety reasons. It is not intended to take the place of other established leak test practices.*
- *To avoid false failures, the temperatures of the vehicle system and the recovery machine should be within  $\pm 5^{\circ}\text{C}$ .*

1. Select **CHARGE**  from the **MAIN MENU**.
2. Enter service data when prompted.
3. Follow prompts to continue. If the system has an electric compressor with POE oil, flush all residual oil from the hoses. The user will be prompted to connect service hoses to storage ports and open coupler valves. See "Figure 3" on page 20. Continuing will begin the process of flushing the hoses. Once complete, continue through the Charge process.
4. Enter the desired charge amount and select the desired charge data. High Side is default.
5. Connect both service hoses to the vehicle's service ports and open coupler valves. Select **PROCEED**.
6. Start the charge process. Moving or bumping the machine at this point may result in an inaccurate charge. When the charge cycle approaches the desired weight value, the machine slows down. It will charge, settle, charge again, settle, etc.
7. When prompted, perform hose equalization or perform hose compensation.

*Note: Hose equalization requires the user to start the vehicle. Hose compensation adds a preset amount of refrigerant to the chart to compensate for service hose volume.*

8. The user will be prompted to close the coupler valves and disconnect the hoses from the vehicle. Follow prompts to recover any remaining refrigerant from the hoses.
9. When the **CHARGE COMPLETE** screen appears, it includes a summary of charge results. The user may print the summary, if a printer is installed. Select **EXIT** to return to the **MAIN MENU**.


The vehicle A/C system is now ready for use.

# Operating Instructions



## Automatic Function

The **AUTOMATIC** function allows a user to perform an automatic recovery, vacuum, leak test, and/or charge sequence. A total automatic sequence may take up to an hour to complete.

1. Connect high-side (red) and low-side (blue) service hoses to the A/C system.
2. Open the service hose coupler valves by turning the collars clockwise.
3. Select **AUTOMATIC**  from the **MAIN MENU** and enter the vehicle service information.
4. Enter the desired length of vacuum.
5. Choose whether to perform a vacuum leak test. ON is the default setting.
6. Enter the desired charge amount and select the charge path. High Side is default.

The unit will now automatically proceed through all applicable functions: **RECOVER**, **VACUUM**, and **CHARGE**. If the vehicle being serviced has previously undergone a recover and vacuum procedure, the machine will only perform a **CHARGE**.

7. When the process is complete a summary of results is displayed. The user may print the summary.
8. The user will be prompted to close the coupler valves and disconnect the hoses from the vehicle. Follow prompts to recover any remaining refrigerant from the hoses. Once the clear is complete, the machine will return to the Main Menu.

The vehicle A/C system is now ready to use.



**WARNING:** To prevent personal injury while working with refrigerant, read and follow the instructions and warnings in this manual, and wear protective equipment such as goggles and gloves.

### Notes:

- The **CHARGE** function for vehicles equipped with a single-service fitting should be carried out manually according to procedures in the vehicle manufacturer's service manual.
- If problems are encountered during the automatic sequence, an audio alert sounds three times. The sequence remains paused until the user enters a decision regarding how to proceed.



# Operating Instructions

## System Flush

The following tests are automatic and are performed as required by SAE J2843:

- Vacuum test that runs 5-20 minutes to achieve the correct level
- 5-minute vacuum rise test
- Manual leak test using a leak detector certified to SAE J2913

Notes:

- *J2843 leak testing is intended to find a gross leak before charge, for safety reasons. It is not intended to take the place of other established leak test practices.*
- *To avoid false failures, the temperatures of the vehicle system and the recovery machine should be within  $\pm 5^{\circ}\text{C}$ .*

The **SYSTEM FLUSH** function is performed using a vehicle manufacturer-approved flushing adapter. Refer to the instructions included with the adapter while the following steps are performed.




1. Verify the flusher filter and strainer are not plugged.
2. Mount the flusher to the rear of the machine.
3. Remove the oil drain bottle (see Figure 4) from the Robinair machine. Drain the oil bottle, and dispose of the oil according to applicable regulations. Reinstall the oil drain bottle on the machine.
4. Recover all refrigerant from system to be flushed.
5. Note the amount of oil collected during recovery. This amount must be replaced, as well as any oil collected during the flush.

*Note: The amount of oil collected and reported during system flush does not include the amount of oil collected during the initial recovery.*

6. Verify there are at least 6.0 kg (13.2 lb) of refrigerant in the machine. The machine will not be able to complete a system flush without at least 6.0 kg of refrigerant in the ISV.

*Note: If the machine does not have at least 6.0 kg (13.2 lb) of refrigerant on-board, see Tank Fill.*

7. Disconnect the machine from the vehicle.
8. Refer to the vehicle service manual, and connect the appropriate flushing adapters and bypasses.
9. Connect the low-side (blue) service hose directly to the filter of the flushing kit.
10. Remove the high-side (red) service coupler, and connect the high-side (red) service hose to the system suction line adapter.

	<b>WARNING:</b> To prevent personal injury while working with refrigerant, read and follow the instructions and warnings in this manual, and wear protective equipment such as goggles and gloves.
	
	

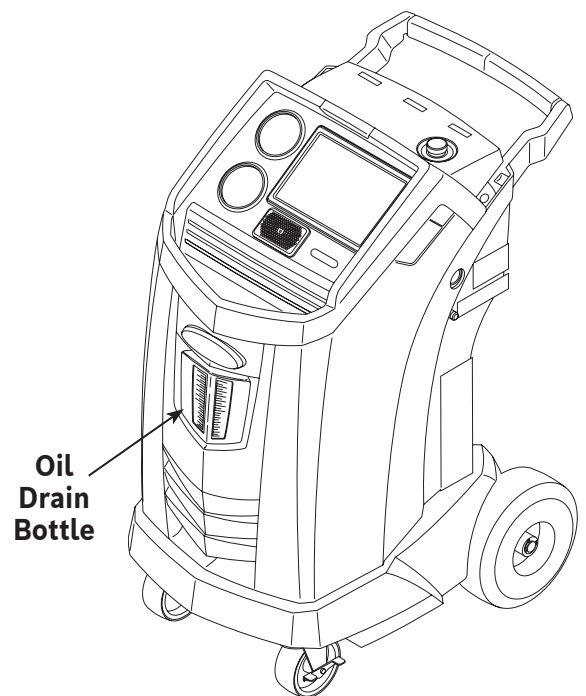


Figure 4

# Operating Instructions

---

11. Use the supplied hose to connect the system discharge adapter to the flusher inlet.
12. Select **SYSTEM FLUSH** from the **SETUP MENU**. The unit will prompt for service data entry. Follow prompts to continue to the system flushing process. The user may be prompted to enter in a total Flush Time depending upon which flush process is enabled.

The machine will then automatically enter the **VACUUM** process and proceed to a leak test.


Once the vacuum and leak tests are completed, the unit will enter the system flushing process followed by an oil drain.

13. When the flush is complete a system flush result summary is displayed. The user may print the summary.

The vehicle A/C system has been flushed.

---

---

 **WARNING:** Do NOT disconnect service couplers during the flushing process. Refrigerant could spray out of the fittings, and exposure may cause personal injury.

---

---

---

**CAUTION:** The flushing kit has a replaceable filter as well as a debris strainer, both of which can become clogged. At the end of the flush cycle, check the high-side (red) gauge for system pressure, and check the adapter for complete removal of refrigerant.

If pressure exists or refrigerant remains, exit the flushing cycle and enter the recovery mode to recover refrigerant through both the high-side (red) and low-side (blue) hoses. Then service the filters and repeat the flush process.

---

# Operating Instructions

## Maintenance Schedule

Maintenance Task	Recommended Interval
Change filter	After 150 kg (330 lb) of refrigerant has been filtered. Refer to Filter Maintenance in the Maintenance section of this manual.
Change vacuum pump oil	When the filter is replaced. Refer to Change Vacuum Pump Oil in the Maintenance section of this manual.
Change refrigerant identifier sample hose	When filter is replaced, refer to Refrigerant Identifier section of this manual.
Check casters and wheels for ease of operation	Monthly.
Check internal scale calibration	Monthly. Refer to Calibration Check in the Maintenance section of this manual.
Check machine for leaks	Monthly. Check hoses and connections for leakage. Disconnect power, remove the shroud, and use an electronic leak detector to check fittings.
Clean airflow outlet panel (see Figure 5)	Monthly. Use a clean cloth.
Clean cabinet and control panel	Monthly. Use a clean cloth.
Inspect power cord and hoses for cuts and abrasions	Daily.
Lubricate wheel bearings and inspect brake components	Monthly.
Pressure Test	Every 10 years. Performed by an authorized Robinair service center.

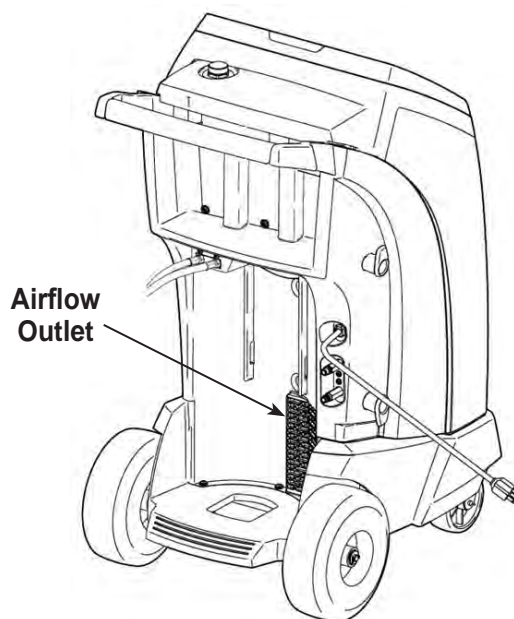


Figure 5



**WARNING:** To prevent personal injury only qualified personnel may perform inspections and repairs to this machine. Read and follow instructions and warnings in this manual, and wear protective equipment such as goggles and gloves.

# Maintenance

---

## Adjust Background Fill Target

This machine possesses a background tank fill feature. An external refrigerant storage vessel can be fluidly connected to the machine (using the black tank fill hose) for a continuous topping off of the internal storage vessel. Drawing from the refrigerant within the connected external storage vessel, the machine will periodically charge the ISV tank to the desired fill target.

1. Select **ADJUST BACKGROUND FILL TARGET** in the **SETUP MENU**.
2. Enter the desired fill target. save the new value, and exit. Follow prompts to exit and continue to use the previously entered amount.

## Tank Fill

This menu item is used to transfer refrigerant from a source tank to the ISV.

The maximum capacity of the internal storage vessel (ISV) is 9.5 kg (21 lb). Use the arrow keys to move the cursor; use the keypad to enter a value.

*Note: Add at least 3.6 kg of refrigerant to ensure sufficient refrigerant is available for charging.*

1. Connect the tank fill (black) hose to the liquid connector on a full source tank.

*Note: Tank fill hose and tank access port have left-handed threads.*

2. Position the source tank in such a way that liquid refrigerant is supplied to the connection. Open the source tank valve and verify that the tank does not restrict airflow from the vent.
3. Select **TANK FILL** from the **SETUP MENU**.
4. Enter the quantity to recover. The machine checks the refrigerant in the source tank to verify that it is R1234yf and not contaminated.

*Note: Add at least 3.6 kg of refrigerant to ensure sufficient refrigerant is available for charging.*

5. The machine begins filling the ISV and automatically stops when the preset tank fill level is reached. To stop the tank fill before the preset level is reached, select **||**. An option to exit will appear on the display.
6. Once complete, close source tank valve and remove the hose from the source tank.



**WARNING:** To prevent personal injury while working with refrigerant, read and follow the instructions and warnings in this manual, and wear protective equipment such as goggles and gloves.

## Filter Maintenance

The filter is designed to trap acid and particulates, and to remove moisture from refrigerant. To meet the mandate for adequate moisture and contaminant removal, the filter must be replaced after 150 kg (330 lb) of refrigerant has been filtered.

The machine gives a warning when 100 kg (220 lb) of the filter capacity has been used; the machine locks down when the 150 kg (330 lb) filter capacity has been reached and will no longer function.

### **Check Remaining Filter Capacity**

1. Select **FILTER MAINTENANCE** from the **SETUP MENU** or when the machine prompts.

The machine displays the amount of filter capacity remaining until the machine locks down.

2. Follow prompts to change the filter; or cancel to resume using the machine.

---

---

**⚠ WARNING: The components in the machine are under high pressure. To prevent personal injury, change the filter only when the machine prompts.**

---

---



**WARNING: To prevent personal injury while working with refrigerant, read and follow the instructions and warnings in this manual, and wear protective equipment such as goggles and gloves.**

# Maintenance

## Replace the Filter

1. To change the filter, the machine requests the new filter code to be entered.

Enter the serial number that appears on the new filter, and follow prompts to continue.

*Note: If "Invalid serial number" is displayed, the serial number has been incorrectly entered, or the filter has already been used in this machine.*

2. The machine clears the existing filter and displays

---

Serial number accepted.

Turn power off and replace filter.

---

Turn off the machine. Remove the oil bottle. Remove the four screws holding the shroud. See Figure 6.

3. Hang the shroud on the back of the machine as shown in Figure 7.
4. Remove the filter by turning it counterclockwise (as viewed from the bottom of the filter).
5. Look at the new filter. Verify both o-rings are lubricated and correctly located in the grooves.
6. Install the new filter by threading it clockwise into place. Verify the filter is positioned correctly as shown in Figure 7. Tighten the filter to 20 Nm.
7. Power the machine on. The Change Vacuum Pump Oil operation will begin.

See "Change Vacuum Pump Oil" on page 30 in this manual for more information.

The machine will then begin the Leak Check operation. See the "Leak Check" on page 31 in this manual for more information.

---

**Caution: To prevent equipment damage, use only authentic Robinair No. 34724 filters in this machine. All performance tests and claims are based on using this specific filter.**

---

Remove the four screws holding the shroud.

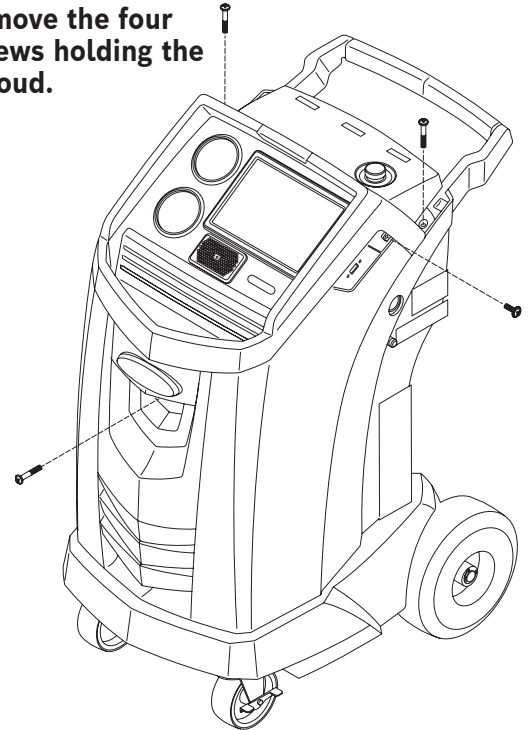


Figure 6

Hang Shroud Here

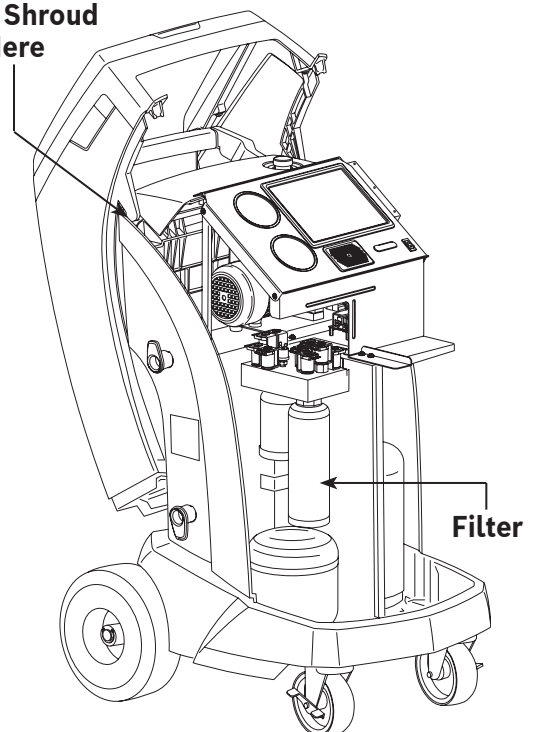


Figure 7

## Calibration Check

This function is used to ensure the machine's internal scale is always calibrated. During this test, use only the calibration weight that is provided with the machine.

1. Refer to Figure 8, and verify the magnet on the bottom of the machine is clean.
2. Select **CALIBRATION CHECK** from the **SETUP MENU**.
3. Attach the calibration weight to the magnet on the bottom of the machine. Follow prompts.
4. Remove the calibration weight from the magnet. Follow prompts.
  - If the display shows "Calibration check passed" the scale is in calibration. Follow prompts to return to the Setup Menu.
  - If the display shows "Calibration check failed. Retry?" the scale is out of calibration. Follow prompts to retry. If calibration continues to fail, contact an authorized Robinair service center for assistance.

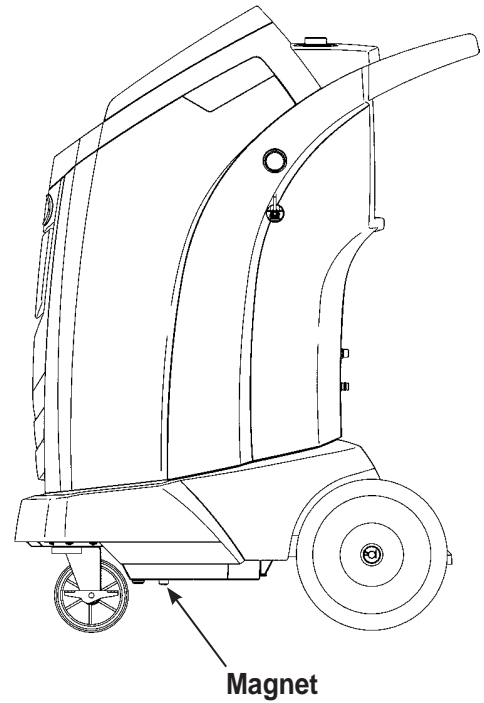


Figure 8

# Maintenance

## Change Vacuum Pump Oil

1. Select **PUMP MAINTENANCE** from the **SETUP MENU** or when prompted. The display shows how long the vacuum pump has operated since the last oil change.
2. Follow prompts to change vacuum pump oil. If the machine displays an oil warning timer allow the vacuum pump to run for up to two minutes to warm up the oil. If the oil is already warm, follow the prompts while the compressor runs to eliminate any pressure in the vacuum pump.
3. After the compressor stops, **slowly** open the oil fill cap to verify there is no pressure in the machine. Then carefully remove the cap. See Figure 9.
4. Remove the oil drain fitting cap and drain the oil into a suitable container for disposal. Replace the cap and close tightly. Slowly add 150 ml of vacuum pump oil to pump through oil fill port.
5. Slowly add vacuum pump oil to the pump through the oil fill port until the oil reaches the center of the sight glass. Install the cap on the oil fill port and close tightly. Follow prompts to return to the **SETUP MENU**.

*Note: For proper oil level, ensure the machine is on a flat, level surface.*

---

**⚠ WARNING:** To prevent personal injury, do **NOT** operate the machine at any other time without the oil fill port cap installed, because the vacuum pump is pressurized during normal operation.

---

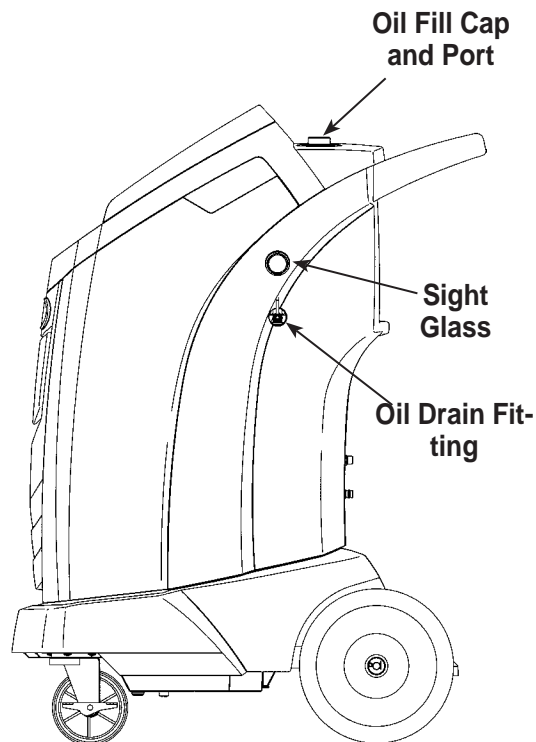


Figure 9

---

**CAUTION:** It is the responsibility of the user to monitor vacuum pump oil level and clarity. If contaminated oil is not removed from the vacuum pump and replaced, the vacuum pump will be permanently damaged.

---



## Leak Check

A leak test may be performed on the machine at any time. During this test, components containing refrigerant are pressurized and monitored for pressure decay, which could indicate a leak.

1. Select **LEAK CHECK** from the **SETUP MENU**.
2. Connect the service hose couplers to the storage ports at the rear of the machine. Open the couplers by turning the collars clockwise.
3. Follow prompts. The machine performs a self-recovery.

The machine performs a 30-second vacuum test.

If the vacuum test fails, the machine will prompt to check for leaks.

Once the machine passes the vacuum test, a controlled pressure is applied to its internal components.

Pressure is held for five minutes and monitored for decay. Minutes and seconds count down on the display.

- If an acceptable pressure decay is detected, the machine recovers refrigerant and returns to the Setup Menu, ready for normal operation.
- If an unacceptable pressure decay is detected, the machine will prompt to check for leaks. Take the machine to an authorized Robinair service center for repair.



**WARNING:** To prevent personal injury while working with refrigerant, read and follow the instructions and warnings in this manual, and wear protective equipment such as goggles and gloves.



**WARNING:** To prevent personal injury should the machine require transport to a local Robinair service center, follow local government regulations regarding transportation of equipment containing R1234yf.

# Maintenance

---

## Print a Service Record

After setting up a wireless printer, select Service Data from the Main Menu. Selected the desired vehicle service entry and follow the prompts on the screen to print.

## Update Software

The user can check for available system software updates by selecting Software Information from the Settings screen on the Main Menu. A software update can be initiated by selecting the red "Update Software" icon. Alternatively, the screen will indicate if the software is up-to-date and no software update will be available.

Prior to updating the software, please ensure that the ACS unit has a strong wireless connection. Do not interrupt power during the installation process. Follow any prompts on the screen to complete the installation process.

## Replace the Oxygen Sensor in the Refrigerant Identifier

The refrigerant identifier in the machine contains a replaceable oxygen sensor that can affect the way the machine works if the sensor is not functioning correctly.

- If the machine displays the following message, immediately replace the oxygen sensor:

---

OPERATING TIME OF THE IDENTIFIER AND UNIT ARE LIMITED  
REPLACE ID O2 SENSOR SOON  
UNIT WILL BECOME NONFUNCTIONAL

---

- If the machine displays the following message, the oxygen sensor has expired. Neither the identifier nor the machine is able to recover or add refrigerant to the internal tank.

---

ANALYZER ERROR 6  
O2 SENSOR FAILURE  
SENSOR MUST BE REPLACED  
UNIT WILL NOT RECOVER OR ALLOW TANK FILL  
SEE MANUAL

---

### Replacement Procedure

1. Disconnect the machine from its power source.
2. Remove the oil bottle, and remove the four screws holding the shroud. See Figure 10. Hang the shroud on the back of the machine.
3. Disconnect the wire harness, USB connector, and sample hose from the identifier. See Figure 11.
4. Remove the two screws holding the identifier to the machine, and remove the identifier.
5. Carefully pry the oxygen sensor cap from the housing. Gently pull on the cap and wires until the connector exits the housing.

---

**CAUTION:** The wire connected to the cap is connected internally to the identifier. To prevent equipment damage, do NOT pull on this wire.

---

Remove the four screws holding the shroud.

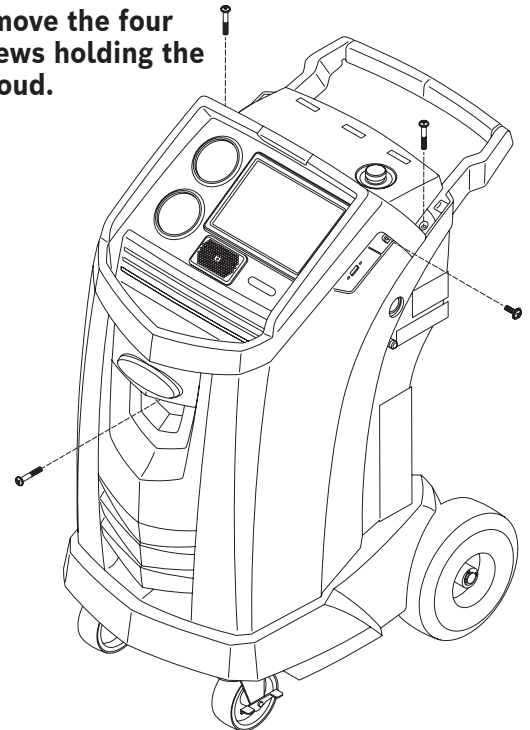


Figure 10

Disconnect wire harness, USB connector, and sample hose.

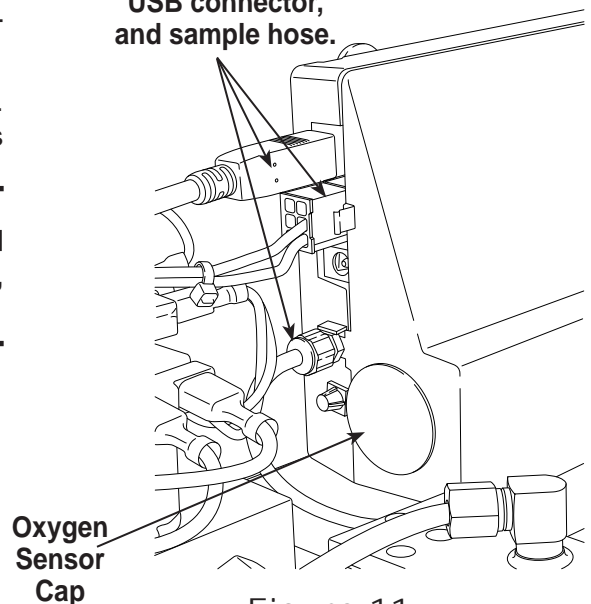


Figure 11

# Maintenance

6. Disconnect the wire harness at the connector by pressing on the center tab. Pull the connectors apart. See Figure 12.
7. Move the cap and harness aside. Hold the lead from the sensor, and use a flat-blade screwdriver to unthread and remove the oxygen sensor. See Figure 13.
8. Remove the pink protective film from the threaded end of the new oxygen sensor.
9. Install the new oxygen sensor, using the screwdriver to thread it into place. Tighten the sensor to 4 in. lb.
10. Reconnect the lead at the connector, and tuck the wires into the opening.
11. Replace the cap and push until it “clicks” into place. Install the identifier onto the machine, and reconnect the wire harness, USB connector, and sample hose.
12. Verify the wiring is not binding, and replace the shroud.

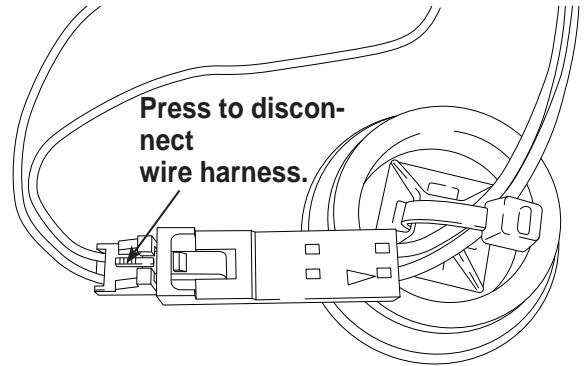


Figure 12

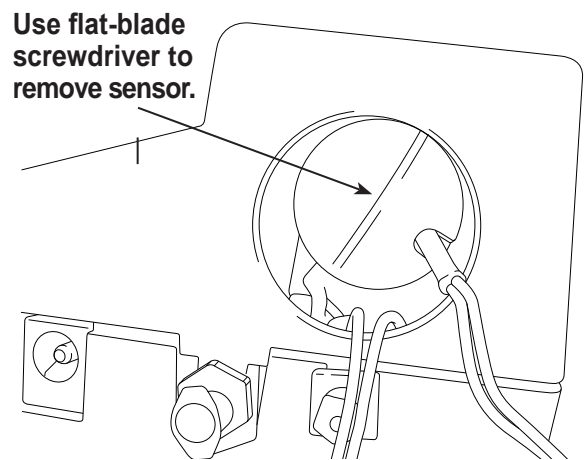


Figure 13

## Refrigerant Identifier

The refrigerant identifier samples refrigerant going into the ISV to verify that it is R1234yf and not contaminated. Replace the sample hose assembly during every filter change and also if prompted by an error message saying that the hose is clogged. See Figure 14.

1. Disconnect the existing sample hose assembly between the solenoid and the refrigerant identifier, and install a new sample hose assembly.

*Note: If the filter is any color but white, the filter needs to be replaced also.*

2. Pull the filter out of the brackets while removing the barbs from the rubber connectors.
3. Install a new filter with the arrow pointing upward as shown. Push the filter barbs into the rubber connectors.
4. Install the shroud on the machine and switch the power **ON**.

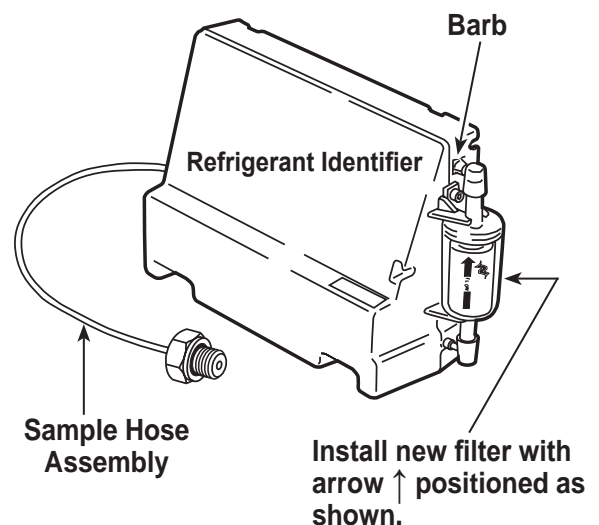


Figure 14

*Replace the sample hose assembly during every filter change.*

## Replace Service Hoses and/or Service Couplers

Ensure pressure has been removed from service hoses before disconnecting a hose or coupler from the machine. Pressure gauges must read at or below 0 psig.

Select **REPLACE SERVICE HOSES** from the **SETUP MENU** to initiate the process.

1. The machine performs a 30 second vacuum to ensure hoses are empty.
2. Follow the prompts to disconnect hoses.  
Remove and replace old service hoses.
3. The unit directs the user to connect hoses to the storage ports and begin unit conditioning.
4. A vacuum is performed on the unit until excess air has been removed from the service hoses.
5. The machine is now ready to use.

## Tank fill Hose Filter Service

The tank fill hose, at the rear of the machine (see Figure 15), contains a filter that can be cleaned when it appears that refrigerant flow is restricted.

When the machine senses low flow, it can display one of the following messages:

- **SOURCE TANK EMPTY**, but the source tank is known to contain refrigerant, connections are secure, and the source tank valve is open.
- **REPLACE IDENTIFIER FILTER**, but the refrigerant identifier filter is known to be unrestricted, the source tank contains refrigerant, connections are secure, and the source tank valve is open.

The tank fill hose filter might be plugged.

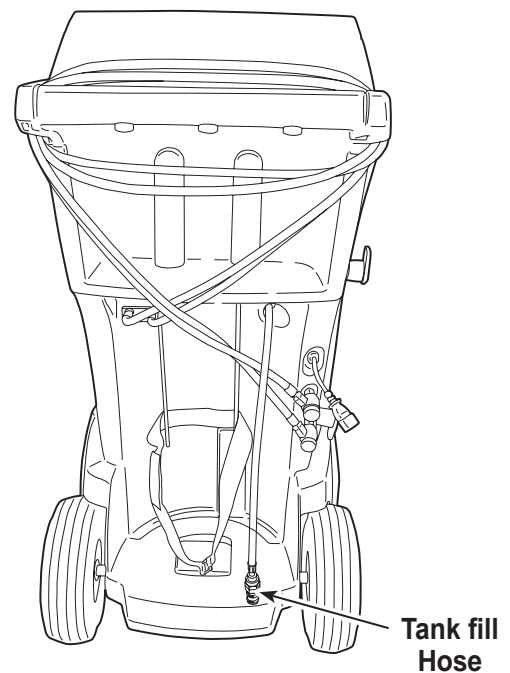


Figure 15

# Maintenance

---

## Cleaning the Tank fill Hose Filter

1. First ensure that pressure does not exist in the line. Disconnect the external source tank, and perform a manual tank fill to capture any refrigerant in the line.
2. Disassemble the tank fill hose at the filter housing as shown in Figure 16.
3. Remove the filter. The recommended method to remove debris from the filter is by using air pressure.

*Note: If a solvent is used, allow adequate drying time before reassembly.*

4. After the filter has been installed back into the filter housing, torque the housing assembly to 8.5 N•m (6 ft. lb.).

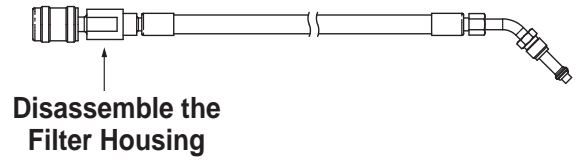


Figure 16

## Replacement Parts


Contact Robinair Customer Service (1-800-533-6127) for more information regarding the replacement parts listed here.

Component	Replacement Part No.
Calibration Weight	16214
Filter	34724
Oil Drain Bottle	19100
LP Service Coupler	18122
HP Service Coupler	18123
Service Coupler Set (high-side [red] and low-side [blue] couplers)	18124
Hose Set without Couplers (high-side [red] and low-side [blue])	71234
Service Hose without Coupler (low-side, blue)	70123
Service Hose without Coupler (high-side, red)	70124
Vacuum Pump Oil (pint)	13119
Vacuum Pump Oil (quart)	13203
Vacuum Pump Oil (gallon)	13204
Vinyl Dust Cover (optional)	17499
Identifier Filter	16913
Identifier Oxygen Filter	16916
Identifier Sample Hose	16106
Tank Fill Hose Filter	10233

---



---

 **WARNING:** To prevent personal injury, use only those repair parts called out in this parts list. Items found in this parts list have been carefully tested and selected by Robinair.

---



---

## Glossary

**A/C System** : The vehicle air conditioning system being serviced.

**Evacuation** : Moisture and other non-condensables are removed from an A/C system by a vacuum pump.

**Internal Storage Vessel (ISV)** : The refillable refrigerant storage tank designed specifically for this machine; 9.5 kg (20.94 lb) capacity.

**Leak Test (Vacuum)** : Components containing refrigerant are evacuated and monitored for pressure rise, which could indicate a leak.

**Machine** : Model No. AC1234-9.

**Leak Check** : Components containing refrigerant are pressurized and monitored for pressure decay, which could indicate a leak.

**Recovery / Recycling** : Refrigerant is recovered from an A/C system, filtered, and stored in the ISV.



**Refrigerant** : R1234yf.

# Troubleshooting Messages

Display	Cause	Solution
CALIBRATION CHECK FAILED	Internal scale is out of calibration.	<i>Retry calibration check. If calibration continues to fail, exit current test and contact a Robinair authorized service center for repair.</i>
CHARGE STALLED!	Refrigerant is stalled in the ISV or the machine.	<i>Verify connections are secure, valves are in correct position, and ISV contains enough refrigerant to complete charge.</i>
DATABASE NOT AVAILABLE	Machine is not shipped with database installed.	<i>Contact a Robinair authorized service center for more information.</i>
EXCESS TANK WEIGHT	Overfill safety circuit tripped. Machine is locked out because of too much refrigerant in ISV.	<i>Contact a Robinair authorized service center for more information.</i>
FILTER CAPACITY EXHAUSTED, FILTER MUST BE REPLACED FILTER WEIGHT XXX.XYY REPLACE FILTER NOW?	150 kg (330 lb) or more refrigerant has been recovered since last filter change.	<i>Refer to Filter Maintenance section of this manual for instructions to change filter.</i>
FILTER SERIAL NUMBER HAS ALREADY BEEN USED. RE-ENTER OR EXIT?	Filter serial number entered into the machine is not correct.	<i>Filter has already been used on this machine. Obtain new Robinair filter No. 34724.</i>
HIGH TANK PRESSURE	Machine is locked out because pressure in ISV is too high, possibly because of excessively high tank temperature.	<i>Allow machine to cool before performing additional A/C service. If problem continues, contact a Robinair authorized service center for more information.</i>
INSUFFICIENT REFRIGERANT. 6.00 KG REQUIRED FOR SYSTEM FLUSH	Not enough refrigerant in the ISV to perform a system flush.	<i>Refer to Tank Fill in Maintenance section of this manual.</i>
INSUFFICIENT REFRIGERANT AVAILABLE FOR CHARGE SELECTED: XX.XXYY AVAILABLE: XX.XXYY	After a desired weight is entered, if the charge process will leave less than 0.67 kg (1.4 lb) of refrigerant in ISV, the charge function will not start.	<i>Refer to Tank Fill in the Maintenance section of this manual.</i>



# Troubleshooting Messages

Display	Cause	Solution
INVALID CODE	Activation code entered into the machine is not correct.	Verify activation code is entered exactly as received. Capitalization is required.
INVALID SERIAL NUMBER!	Filter serial number entered into the machine is not correct.	Verify serial number entered matches serial number on filter. Verify filter has not been used on machine previously.
NO PRESSURE ON INLETS CHECK CONNECTIONS RECOVER ANYWAY?	System pressure is below 0.35 bar gauge.	Verify high-side (red) and low-side (blue) hoses are connected and coupler valves open. Select  to RECOVER; select  to bypass recover and proceed to VACUUM.
OIL DRAIN HALTED. PRESSURE ERROR, RETRY OR EXIT?	Accumulator pressure failed to rise above 1.10 bar within the minute before an oil drain was supposed to occur.	Adequate pressure is required within the accumulator to force the oil, which has been separated from the refrigerant, out of the system.
OIL DRAIN HALTED. FLOW ERROR, RETRY OR EXIT?	Accumulator pressure failed to drop below 0.62 bar, indicating all oil failed to drain within the time given for oil drain.	Unit may need time to drain all the oil back due to low temperature, thick oil viscosity, or large oil quantity.
OIL LIFE REMAINING XX- :XXX CHANGE OIL NOW?	Display shows vacuum pump oil life remaining until machine locks down.	Refer to Maintenance section of this manual for instructions to change vacuum pump oil.
OUT OF RANGE ACCUMULATOR PRES- SURE	Accumulator pressure transducer is not reading pressure correctly.	Exit current test and contact a Robinair authorized service center for more information.
OUT OF RANGE ISV PRESSURE	Internal storage vessel pressure transducer is not reading pressure correctly.	Exit current test and contact a Robinair authorized service center for more information.
OUT OF RANGE ISV TEMPERATURE	Internal storage vessel temperature sensor is not reading temperature correctly.	Exit current test and contact a Robinair authorized service center for more information.
OUT OF RANGE LS PRESSURE SENSOR	Low-side pressure transducer is not reading pressure correctly.	Exit current test and contact a Robinair authorized service center for more information.
POWER BOARD COMMU- NICATION FAILED	Failed communication with relay board.	Cycle power. If problem continues, contact a Robinair authorized service center for more information.

# Troubleshooting Messages

Display	Cause	Solution
PRESSURE LEAK TEST FAILED CHECK UNIT FOR LEAKS	A leak in vehicle A/C system.	<i>Exit current test and perform repairs on vehicle A/C system.</i>
PURITY TEST FAILED	Refrigerant tested is not R1234yf or it is contaminated.	<i>Do not recover contaminated refrigerant into the machine; use an external refrigerant recovery machine dedicated to contaminated refrigerant. See "Recover Refrigerant from a Vehicle" on p. 17.</i>
SOURCE TANK IS EMPTY	Refrigerant cannot be transferred to the ISV because the source tank is empty.	<i>Exit current test and replace the source tank.</i>
TANK FULL. REMOVE REFRIGERANT BEFORE CONTINUING	ISV is too full to recover additional refrigerant.	<i>Perform a charge process to remove refrigerant from ISV before any further recovery attempts.</i>
TRIAL PERIOD EXPIRED UNIT ACTIVATION RE- QUIRED TO CONTINUE USE	Failure to register and activate the machine within 30 days of initial startup will cause the machine to lock out and no longer function.	<i>Refer to Unit Activation section in this manual to register the machine.</i>
VACUUM TEST FAILED. CHECK SYSTEM FOR LEAKS	A leak in vehicle A/C system.	<i>Exit current test and perform repairs on vehicle A/C system.</i>
PRESS CONTINUE TO HOSE EQUALIZE  PRESS ABORT TO HOSE COMPENSATE	Choose method to complete Charge service.	<i>Choose F3 key to complete service by Hose equalize. Vehicle needs to be turned ON to complete the procedure. Otherwise choose F3 to complete by compensation.</i>
CLOGGED FILTER	Debris in the Flush Filter may be restricting flow.	<i>Follow screen instructions. Recover refrigerant and replace filter.</i>
INSUFFICIENT VACUUM FOR SETUP	Leak found in the A/C system.	<i>Contact service center.</i>
FILTER CAPACITY LOW	Warning message to prepare user for filter replacement.	<i>Filter will lock-out soon. Replace filters. See screen information to order parts.</i>

# Troubleshooting Messages

Display	Cause	Solution
O2 SENSOR ON THE IDENTIFIER WILL HAVE TO BE REPLACED SOON	Warning message to replace O2 sensor on the identifier.	<i>System will be locked-out once the sensor goes bad. Contact service center to replace O2 sensor.</i>
VACUUM LEAK TEST FAILED	Leak found in the vehicle A/C unit.	<i>Exit current test and perform repairs on the A/C system.</i>
PRESSURE LEAK TEST FAILED	Leak found in the vehicle A/C unit.	<i>Exit current test and perform repairs on the A/C system.</i>
REFRIGERANT IDENTIFIER ERROR	Problem with the connection to the identifier.	<i>Follow screen instructions. Contact service center if issue persists.</i>
PRINTER OUT OF PAPER	Empty printer paper.	<i>Replace printer paper and continue.</i>
USED OIL BOTTLE FULL	Used oil bottle is filled completely.	<i>Empty bottle to avoid overflow of oil.</i>
AIR FLOW ERROR	Not enough air flow inside the equipment.	<i>Check for obstruction. Machine is not safe to operate. Contact service center.</i>
REAL-TIME CLOCK FAILURE	System clock is incorrect.	<i>Contact service center. The time on the machine is incorrect. Data stored and printed on the machine is inaccurate.</i>
VACUUM HALTED. INLET PRESSURE IS TOO HIGH.	Vacuum cannot be performed with high inlet pressure.	<i>Check for pressure. Perform recovery.</i>

# Troubleshooting Procedures

## Setup, Tank Fill, and Background Tank Fill Functions

### Display Message: Purity Test Failed

During **SETUP**, **TANK FILL**, or **BACKGROUND TANK FILL**, if the machine displays

---

purity test failed  
recover contaminated  
refrigerant from system  
and hoses.  
ok to Retry esc to quit

---

the refrigerant in the source tank is either not R-1234yf or it is contaminated. In either case, it should not be added to the internal storage vessel (ISV) in the machine. The contaminated refrigerant sampled by the refrigerant identifier in the machine must be removed.

A refrigerant recovery machine (Robinair 25700) dedicated to contaminated refrigerant is required for the following steps. Refer to Figure 17.

1. Connect the tank fill hose adapter (provided in the Accessory Kit) to the low-side coupler of the 25700 refrigerant recovery machine.
2. Connect the other end of the adapter to the tank fill hose fitting on the machine.
3. Connect the discharge hose from the to a tank specified to receive contaminated refrigerant.
4. Start the 25700 and open the coupler valve. Run a recovery until the gauge on the 25700 indicates vacuum.
5. Shut off the 25700.
6. Slowly and carefully disconnect the adapter from the tank fill hose and the 25700. There might still be a small amount of pressure in the line.

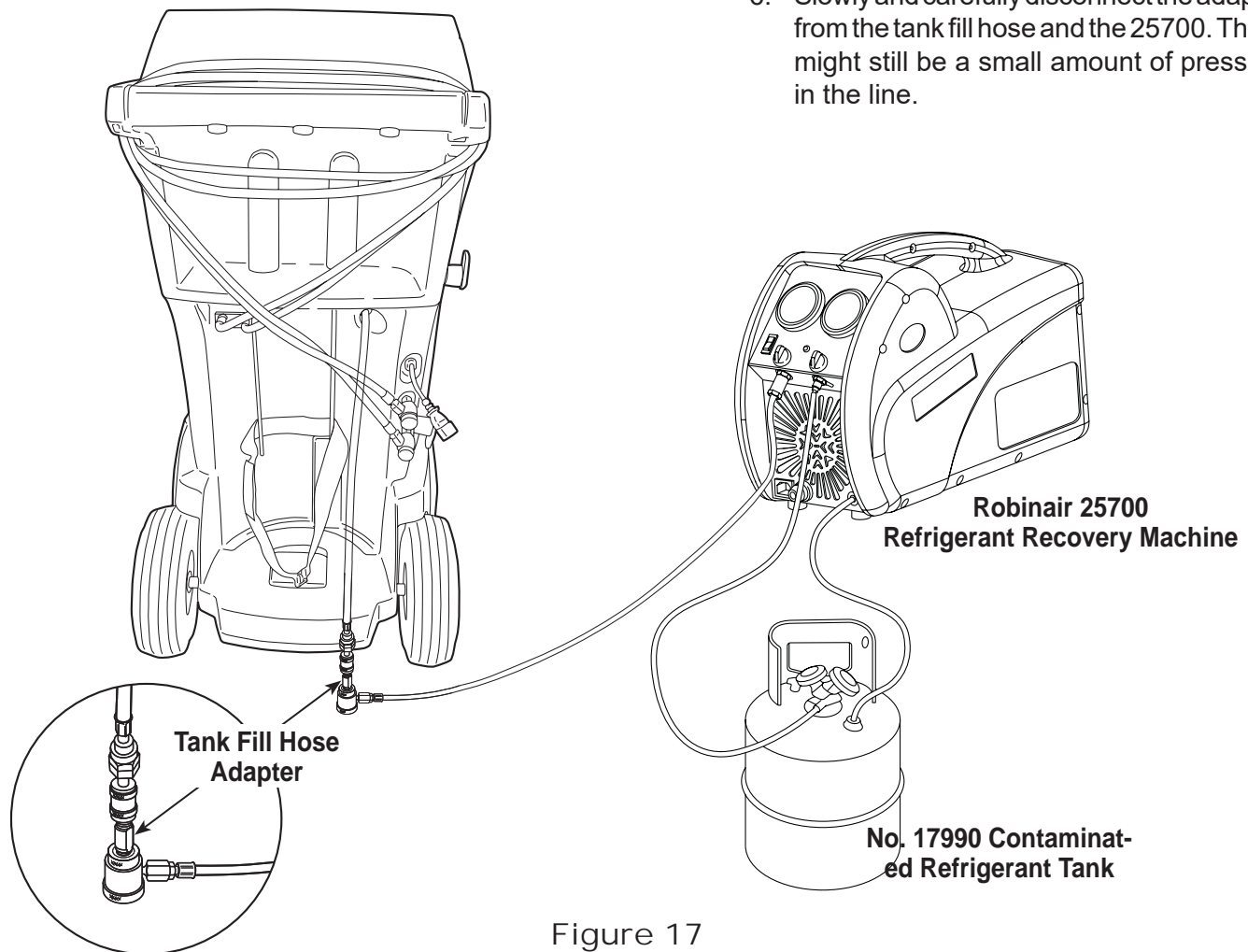


Figure 17

# Troubleshooting Procedures

## Recovery Function or Automatic Function

### **Display Message: Purity Test Failed**

During the **RECOVERY** function or **AUTOMATIC RECOVERY** function, if the machine displays information about the purity test.

If the purity test fails, the refrigerant in the source tank or in the vehicle A/C system is either contaminated or it is not R-1234yf. In either case, it should not be added to the internal storage vessel in the machine.

The contaminated refrigerant sampled by the refrigerant identifier in the machine must be removed.

**A refrigerant recovery machine (Robinair 25700) dedicated to contaminated refrigerant is required for the following steps:**

1. With the machine still connected to the vehicle and the couplers open, connect the low-side (blue) coupler from the 25700 to the contaminant recovery port on the back of the machine. See Figure 18. Open the coupler valves.
2. Connect the discharge hose from the 25700 to a tank designed to receive contaminated refrigerant.
3. Start the 25700 and run a recovery according to instructions supplied with the machine.
4. Upon achieving a vacuum in the vehicle (or per recovery machine instructions), disconnect the 25700 from the machine.
5. Clear the vehicle of residual contamination according to the vehicle manufacturer's instructions before continuing service.

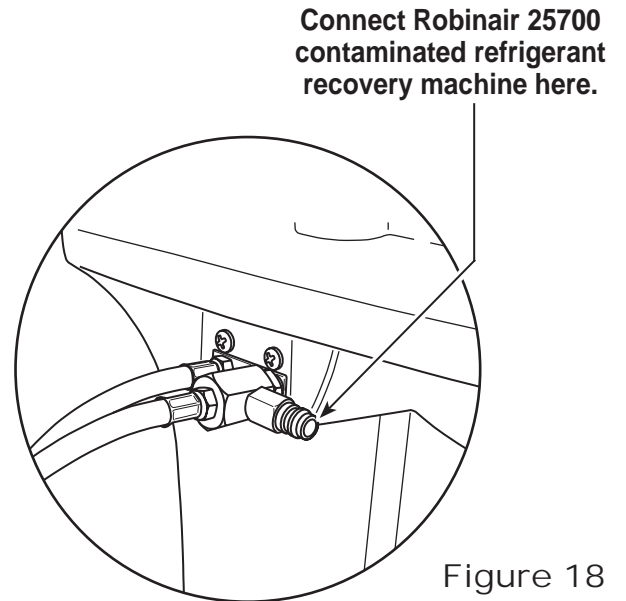


Figure 18

# Storage and Transportation of Equipment

---

## Storage

Never leave the machine live if an immediate use is not scheduled.

1. Disconnect the machine from its power supply.
2. Loop the service hoses around the handle twice and attach them to the storage ports. See Figure 19.
3. Store the machine in a dry, stable area, away from flames and hot surfaces. The temperature of the storage area should range between  $-18^{\circ}\text{C}$  and  $60^{\circ}\text{C}$  ( $0^{\circ}\text{F}$  and  $140^{\circ}\text{F}$ ).
4. Lock the front wheels.

## Transportation of Equipment

---

**!** **WARNING:** To prevent personal injury, should the machine require transport to a Robinair service center, follow local government regulations regarding transportation of equipment containing R1234yf.

---

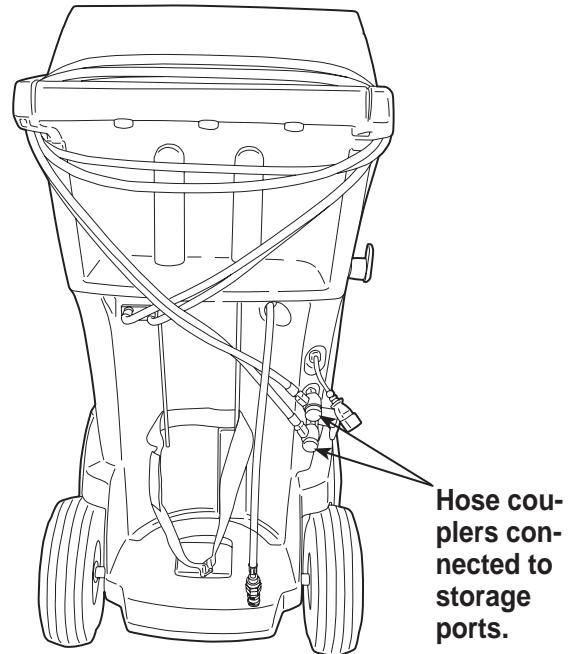


Figure 19

# Disposal of Equipment

---



At the end of its useful life, dispose of the R1234yf machine according to current government regulations.

- Public administration and producers of electrical / electronic equipment (EEE) are involved in facilitating the processes of the re-use and recovery of waste electrical / electronic equipment through the organization of collection activities and the use of appropriate planning arrangements.
- Do not dispose of this equipment as miscellaneous solid municipal waste. Arrange to have it collected separately. Unauthorized disposal of waste electrical / electronic equipment is punishable by law with appropriate penalties.
- The reuse and correct recycling of electrical / electronic equipment (EEE) is required for the protection of the environment and the well-being of humans.

## Disposal of Recycled Materials

It is the responsibility of the user to determine if a material is a hazardous waste at the time of disposal. The user must ensure compliance with all applicable laws and regulations.

1. Deliver the refrigerant recovered from A/C systems to gas suppliers for recycling or disposal.
2. Deliver the lubricants extracted from A/C systems to used oil collection centers.
3. Review the laws in your jurisdiction to determine correct disposal procedures for pump oil.

## Disposal of the Machine

1. Detach and vent the gas from the machine circuit. Completely discharge the refrigerant tank in compliance with current government regulations.
2. Deliver the machine to an appropriate disposal center.

## Disposal of Batteries



At the end of their useful life, dispose of batteries according to current government regulations. Batteries must be recycled or disposed of correctly. Do not throw away batteries as part of normal refuse disposal.



**WARNING: To prevent personal injury, do not throw batteries into open flame.**

---

**CAUTION: R1234yf systems have special fittings (per SAE specifications) to avoid cross-contamination. Do not adapt your unit to a different refrigerant system, as failure will result.**

---

# Notes

---



Manual de instrucciones  
*(translation of the original instructions)*

Manual de instrucciones  
Guide d'utilisation

**Modelo AC1234-9**



Máquina de recuperación, reciclaje y recarga  
para sistemas de A/A con R1234yf

---

*Descripción: Máquina de recuperación, reciclaje y recarga para su uso con sistemas de aire acondicionado equipados con R1234yf.*

## INFORMACIÓN SOBRE EL PRODUCTO

Anote el número de serie y el año de fabricación de esta unidad para futuras referencias. Consulte la etiqueta de identificación del producto que figura en la unidad para obtener más información.

Número de serie: \_\_\_\_\_ Año de fabricación: \_\_\_\_\_

**EXENCIÓN DE RESPONSABILIDAD:** La información, ilustraciones y especificaciones contenidas en este manual se basan en la información más reciente disponible en el momento de la publicación. Queda reservado el derecho de hacer cambios en cualquier momento sin obligación de notificar dichos cambios o revisiones a ninguna persona u organización. Asimismo, ROBINAIR no será responsable de los errores contenidos en este manual ni de daños fortuitos o indirectos (incluyendo la pérdida de ganancias) en relación con el suministro, el rendimiento o el uso de este material. Si es necesario, puede obtener más información sobre la salud y seguridad de los organismos gubernamentales competentes y de los fabricantes del vehículo, refrigerante y lubricante.


---


<b>Precauciones de seguridad</b> .....	<b>2</b>	<b>Instrucciones de funcionamiento</b> .....	<b>17</b>
Explicación de las palabras de advertencia de seguridad . . .	2	Introducción de datos de servicio . . . . .	17
Explicación de los pictogramas de seguridad . . . . .	2	Recuperación de refrigerante de un vehículo . . . . .	18
<b>Precauciones de seguridad</b> .....	<b>3</b>	Evacuación del sistema de A/A del vehículo . . . . .	19
Dispositivos de protección . . . . .	4	Lavado de las mangueras . . . . .	20
Prueba del depósito de refrigerante . . . . .	4	Recarga del sistema de A/A del vehículo . . . . .	21
Requisito de J2843 sobre el lubricante . . . . .	4	Función automática . . . . .	22
Declaración de precaución — Modificaciones . . . . .	4	Lavado del sistema . . . . .	23
<b>Introducción</b> .....	<b>5</b>	Programa de mantenimiento . . . . .	25
Especificaciones técnicas . . . . .	5	<b>Mantenimiento</b> .....	<b>26</b>
Características . . . . .	6	Ajustar el nivel de llenado de fondo deseado . . . . .	26
Leyenda de iconos . . . . .	8	Llenado del depósito . . . . .	26
Funciones del Main Menu		Mantenimiento del filtro . . . . .	27
(Menú principal) . . . . .	9	Control de la capacidad restante del filtro . . . . .	27
Info and Status (Información y estado) . . . . .	9	Sustitución del filtro . . . . .	28
Settings (Ajustes) . . . . .	9	Control de calibración . . . . .	29
Funciones del Setup Menu (Menú de configuración) . . . . .	10	Cambio de aceite de la bomba de vacío . . . . .	30
Calibration Check (Control de calibración) . . . . .	10	Comprobación de fugas . . . . .	31
Filter Maintenance (Mantenimiento del filtro) . . . . .	10	Impresión de un registro de servicio . . . . .	32
Flush Hoses (Lavado de mangueras) . . . . .	10	Actualización de software . . . . .	32
Production Menu (Menú de producción) . . . . .	10	Sustitución del sensor de oxígeno en el identificador de refrigerante . . . . .	33
Pump Maintenance (Mantenimiento de la bomba) . . . . .	10	Procedimiento de sustitución . . . . .	33
Refrigerant Management (Gestión de refrigerante) . . . . .	10	Identificador de refrigerante . . . . .	34
System Flush (Lavado del sistema) . . . . .	10	Sustituir mangueras de servicio y/o	
Service Menu (Menú de servicio) . . . . .	10	acoplamiento de servicio . . . . .	35
Tank Fill (Llenado del depósito) . . . . .	10	Servicio del filtro de la manguera de llenado del depósito . . . . .	35
Hose Equalize (Ecuilibración de mangueras) . . . . .	10	Limpieza del filtro de la manguera de llenado del depósito . . . . .	36
Internal Tank Status (Estado interno del depósito) . . . . .	10	<b>Función de servicio de A/A</b> .....	<b>37</b>
Buzzer Settings (Ajustes del zumbador) . . . . .	10	Piezas de repuesto . . . . .	37
Leak Check (Comprobación de fugas) . . . . .	10	Glosario . . . . .	37
Replace Service Hoses		<b>Mensajes de resolución de problemas</b> .....	<b>38</b>
(Sustituir mangueras de servicio) . . . . .	10	<b>Procedimientos de resolución de problemas</b> . . . . .	<b>42</b>
System Information (Información del sistema) . . . . .	10	Funciones de configuración, llenado del depósito y llenado de fondo del depósito . . . . .	42
Boost Refrigerant (Aumentar refrigerante) . . . . .	11	Mensaje de pantalla: Purity Test Failed	
Temperature Sensor Snapshot (Captura de sensor de temperatura) . . . . .	11	(Prueba de pureza fallida) . . . . .	42
Default Vacuum Time (Tiempo de vacío predeterminado) . . . . .	11	Función de recuperación o función automática . . . . .	43
Adjust Background Fill Target (Ajustar el nivel de llenado de fondo deseado) . . . . .	11	Mensaje de pantalla: Purity Test Failed (Prueba de pureza fallida) . . . . .	43
Requisitos y condiciones de funcionamiento . . . . .	11	<b>Almacenamiento y transporte del equipo</b> .....	<b>44</b>
FCC ID . . . . .	11	Almacenamiento . . . . .	44
Declaración de exposición a RF para dispositivos móviles . . . . .	11	Transporte del equipo . . . . .	44
Declaración según la Parte 15 de la FCC . . . . .	11	<b>Eliminación del equipo</b> .....	<b>45</b>
<b>Configuración inicial</b> .....	<b>12</b>	Eliminación de materiales reciclados . . . . .	45
Desembalaje del kit de accesorios . . . . .	12	Eliminación de la máquina . . . . .	45
Encendido de la máquina . . . . .	12	Eliminación de las baterías . . . . .	45
Seleccionar idioma . . . . .	13		
Conexión a una red inalámbrica (Wi-Fi) . . . . .	13		
Configuración de una impresora inalámbrica . . . . .	13		
Editar encabezado de impresión . . . . .	13		
Seleccionar unidades . . . . .	14		
Ajustar fecha y hora . . . . .	14		
Acuerdo de licencia . . . . .	14		
Vacío de servicio . . . . .	14		
Ajustar el nivel de llenado de fondo deseado . . . . .	14		
Llenado del depósito . . . . .	15		
Registro de la unidad . . . . .	16		


# Precauciones de seguridad

## Explicación de las palabras de advertencia de seguridad utilizadas en este manual

La palabra de advertencia de seguridad designa el grado o nivel de gravedad del riesgo.

 **PELIGRO:** Indica una situación peligrosa inminente que, si no se evita, provocará lesiones graves o mortales.






 **ADVERTENCIA:** Indica una situación potencialmente peligrosa que, si no se evita, podría provocar lesiones graves o mortales.

 **PRECAUCIÓN:** Indica una situación potencialmente peligrosa que, si no se evita, podría provocar lesiones leves o moderadas.

**PRECAUCIÓN:** Si se utiliza sin el símbolo de alerta de seguridad, indica una situación potencialmente peligrosa que, si no se evita, podría provocar daños materiales.

Estos mensajes de seguridad cubren las situaciones de las que tiene conocimiento Robinair. Robinair no puede conocer, evaluar o advertir de todos los posibles riesgos. El usuario debe verificar que las condiciones y procedimientos no pongan en peligro su seguridad personal.

## Explicación de los pictogramas de seguridad utilizados en la máquina

	Lea atentamente las instrucciones.
	No utilice la máquina al aire libre en caso de lluvia o un alto nivel de humedad.
	Lleve guantes.
	Lleve gafas de protección.
	Tensión alterna.
	Conexión a tierra.
	Riesgo de descarga eléctrica.

# Precauciones de seguridad



ADVERTENCIA: Para evitar lesiones personales:



**SOLO DEBE UTILIZAR LA MÁQUINA PERSONAL CUALIFICADO.** Antes de utilizar la máquina, lea y siga las instrucciones y advertencias que figuran en este manual. El operador debe estar familiarizado con los sistemas de aire acondicionado y refrigeración, los refrigerantes y los peligros que entrañan los componentes presurizados. Si el operador no puede leer este manual, las instrucciones de funcionamiento y las precauciones de seguridad se deben leer y discutir en la lengua materna del operador.



**UTILICE LA MÁQUINA COMO SE INDICA EN ESTE MANUAL.** Si utiliza la máquina de un modo para el cual no haya sido diseñada, esto pondrá en peligro la máquina y anulará las protecciones existentes.



**EL DEPÓSITO PRESURIZADO CONTIENE LÍQUIDO REFRIGERANTE.** No llene excesivamente el depósito de almacenamiento interno (ISV). De lo contrario, puede provocar una explosión con lesiones personales o mortales. No recupere los refrigerantes en recipientes no recargables; utilice únicamente recipientes recargables homologados que tengan válvulas de descarga de presión.



**LAS MANGUERAS PUEDEN CONTENER LÍQUIDO REFRIGERANTE A PRESIÓN.** El contacto con el refrigerante puede causar lesiones personales, incluyendo ceguera y congelación de la piel. Lleve equipos de protección, incluyendo gafas y guantes. Desconecte las mangueras con suma precaución. Asegúrese de que la fase haya finalizado antes de desconectar la máquina para evitar la liberación de refrigerante a la atmósfera.



**EVITE INHALAR VAPOR O NIEBLA DE LUBRICANTE Y REFRIGERANTE DE A/A.** La exposición puede irritar los ojos, la nariz y la garganta. Para retirar el refrigerante del sistema de A/A, utilice únicamente equipos certificados para el tipo de refrigerante que esté retirando. Utilice la unidad en lugares con un sistema de ventilación mecánica que proporcione al menos cuatro renovaciones de aire por hora. Si se produce una descarga accidental del sistema, ventile la zona de trabajo antes de reanudar el servicio.

**NO DISPERSE REFRIGERANTE EN EL MEDIO AMBIENTE.** Evite la posible presencia de refrigerante en el entorno de trabajo.



**PARA REDUCIR EL RIESGO DE INCENDIO,** no utilice la máquina en las proximidades de recipientes de gasolina u otras sustancias inflamables que se hayan derramado o estén abiertos.

**PARA REDUCIR EL RIESGO DE INCENDIO,** no utilice ningún cable alargador. Un cable alargador puede sobrecalentarse y provocar un incendio. Si es preciso utilizar un cable alargador, use el cable más corto posible con un tamaño mínimo de 14 AWG.

**PARA REDUCIR EL RIESGO DE INCENDIO,** no utilice la máquina en las proximidades de llamas y superficies calientes. El refrigerante puede descomponerse a altas temperaturas y liberar sustancias tóxicas al medio ambiente que pueden ser nocivas para el usuario.

**PARA REDUCIR EL RIESGO DE INCENDIO,** no utilice la máquina en entornos que contengan vapores o gases explosivos.

**PARA REDUCIR EL RIESGO DE INCENDIO,** no utilice esta máquina en zonas o áreas clasificadas ATEX. Proteja la máquina de condiciones que puedan causar un fallo eléctrico u otros riesgos relacionados con la interacción con el medio ambiente.



**PRECAUCIÓN — NO REALICE PRUEBAS DE PRESIÓN O PRUEBAS DE FUGAS EN EL EQUIPO Y/O SISTEMAS DE AIRE ACONDICIONADO DEL VEHÍCULO CON AIRE COMPRIMIDO.** Las mezclas de aire y refrigerante R1234yf pueden ser combustibles a presiones elevadas. Estas mezclas son potencialmente peligrosas y pueden provocar un incendio o explosión con lesiones personales y/o daños materiales.



**LA ELECTRICIDAD DE ALTA TENSIÓN DENTRO DE LA MÁQUINA ENTRAÑA RIESGO DE DESCARGA ELÉCTRICA.** La exposición puede causar lesiones personales. Desconecte la alimentación eléctrica antes de realizar el mantenimiento de la máquina.

**NO DEJE NUNCA LA MÁQUINA BAJO TENSIÓN SI NO LA VA A UTILIZAR DE INMEDIATO.** Desconecte el suministro de alimentación eléctrica antes de un largo periodo de inactividad o antes de realizar tareas de mantenimiento interno.

**NO MODIFIQUE LA VÁLVULA DE DESCARGA DE PRESIÓN NI CAMBIE LOS AJUSTES DEL SISTEMA DE CONTROL.** Si utiliza la máquina de un modo para el cual no haya sido diseñada, esto pondrá en peligro la máquina y anulará las protecciones existentes.

**Puede obtener más información sobre la salud y seguridad de los fabricantes del refrigerante y lubricante.**

# Precauciones de seguridad

---

PRECAUCIÓN: Para evitar daños en el equipo:

---



**PARA EVITAR LA CONTAMINACIÓN CRUZADA, UTILICE ESTA MÁQUINA ÚNICAMENTE CON REFRIGERANTE R1234YF.** La máquina está equipada con conectores especiales para recuperar, reciclar y recargar únicamente refrigerante R1234yf. No intente adaptar la máquina para otro refrigerante. No mezcle tipos de refrigerante a través de un sistema o en el mismo recipiente; la mezcla de refrigerantes causará daños graves en la máquina y el sistema de aire acondicionado del vehículo.

**NO UTILICE ESTA MÁQUINA BAJO LA LUZ SOLAR DIRECTA.** Coloque la máquina lejos de fuentes de calor como, por ejemplo, la luz solar directa, que puedan causar temperaturas excesivas. El uso de esta máquina en condiciones ambientales normales (de 50 °F a 122 °F / de 10 °C a 50 °C) mantiene las presiones bajo límites razonables.



**NO UTILICE ESTA MÁQUINA EN EL EXTERIOR CON LLUVIA O UN ALTO NIVEL DE HUMEDAD.** Proteja la máquina de condiciones que puedan causar un fallo eléctrico u otros riesgos relacionados con la interacción con el medio ambiente.

**NO UTILICE ESTA MÁQUINA EN ZONAS DONDE EXISTA RIESGO DE EXPLOSIÓN.**

**INSTALE LA MÁQUINA SOBRE UNA SUPERFICIE PLANA Y CON SUFICIENTE ILUMINACIÓN. BLOQUEE LAS RUEDAS DELANTERAS Y NO SOMETA LA MÁQUINA A VIBRACIONES.**

**PARA EVITAR INCOMPATIBILIDADES QUÍMICAS CON LOS COMPONENTES INTERNOS DE LA MÁQUINA, UTILICE ÚNICAMENTE ACEITES AUTORIZADOS POR EL FABRICANTE DEL VEHÍCULO.** Los problemas resultantes del uso de aceites no autorizados anularán la garantía.

Puede obtener más información sobre la salud y seguridad de los fabricantes del refrigerante y lubricante.

## Dispositivos de protección

La máquina está equipada con los siguientes dispositivos de protección:

- Válvulas de sobrepresión.
- Un interruptor de presión máxima detiene el compresor cuando se detecta una presión excesiva.

---

**⚠ ADVERTENCIA:** La manipulación de estos dispositivos de protección podría provocar lesiones graves.

---

## Prueba del depósito de refrigerante

Los registros oficiales y las pruebas periódicas necesarias para instrumentos presurizados se rigen por leyes y/o regulaciones nacionales que varían según el país donde se utilice el depósito de refrigerante. El administrador del sistema es responsable del cumplimiento de las leyes, regulaciones y normas técnicas pertinentes. Los depósitos de refrigerante no requieren mantenimiento durante el servicio normal. Consulte la sección Mantenimiento de este manual para obtener más información.

## Requisito de J2843 sobre el lubricante

Solo debe instalarse en el sistema MAC el lubricante nuevo que especifique el fabricante del sistema. El lubricante retirado del sistema y/o del equipo debe desecharse conforme a los procedimientos y regulaciones federales, estatales y locales aplicables.

## Declaración de precaución — Modificaciones

---

**PRECAUCIÓN:** Cualquier cambio o modificación que no haya sido autorizado expresamente por Bosch Automotive Service Solutions puede anular la autoridad del usuario para utilizar el equipo.

---

Esta máquina se utiliza en vehículos equipados con R1234yf y ha sido diseñada para ser compatible con el equipo de servicio existente y los procedimientos de servicio estándar. Esta máquina es un sistema de paso único (es decir, el refrigerante pasa por un filtro una sola vez) que cumple las especificaciones de refrigerante reciclado. Siga los procedimientos de servicio recomendados para la contención de R1234yf.

Para cumplir la especificación SAE J2843 para una máquina capaz de realizar el mantenimiento tanto de compresores convencionales accionados por correa como de los compresores eléctricos de alta tensión existentes en los vehículos híbridos, se ha retirado la función de carga de aceite interno y se han incorporado las dos funciones de lavado de mangueras de servicio y lavado del sistema de A/A del vehículo.

La unidad incluye una bomba de alto vacío de 1,5 cfm (42 l/m) para una rápida y completa evacuación. El compresor lleva el sistema de A/A a 0 psig (0 bar) y, a continuación, trabaja en serie con la bomba de vacío para lograr una recuperación sumamente eficiente y una recarga inmediata. Si el sistema no se abre para el servicio, no es necesario aplicar ningún vacío adicional. Si el sistema se abre para el servicio, utilice el ciclo de vacío de la unidad para eliminar el aire y la humedad del sistema de A/A. (Se recomienda un vacío mínimo de 10 minutos, o bien, siga las especificaciones del fabricante del vehículo).

**PRECAUCIÓN:** Los sistemas de R1234yf requieren aceites especiales. Para evitar daños en el equipo, consulte las especificaciones de aceite en el manual de servicio del fabricante del sistema de A/A.

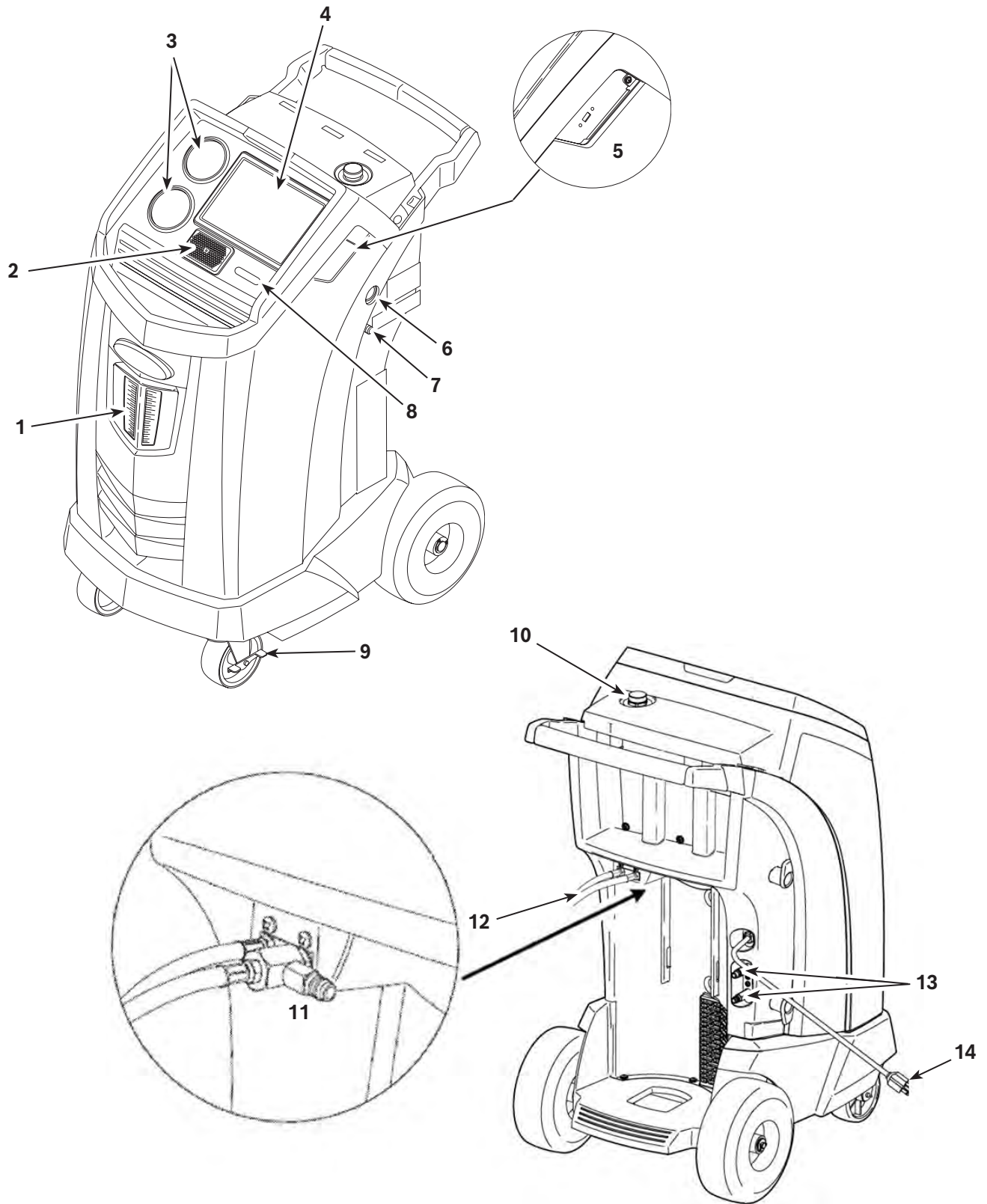


## Especificaciones técnicas

<b>Dimensiones</b>	42 in. x 22 in. x 31 in. (107 cm x 56 cm x 80 cm)
<b>Pantalla</b>	Panel táctil LCD de 10,1"
<b>Filtro</b>	330 lb (150 kg)
<b>Humedad</b>	50-122 °F (10-50 °C), 86% de humedad relativa sin condensación
<b>Manómetro</b>	Ø 3,9 in. (100 mm)
<b>Presión máxima</b>	450 PSI (31 bar)
<b>Ruido</b>	<70 dB(A)
<b>Tensión nominal</b>	
AC1234-9	115 V, 60 Hz
<b>Capacidad de la botella de aceite</b>	12 oz (355 ml)
<b>Temperatura de funcionamiento</b>	de 50 °F a 122 °F (de 10 °C a 50 °C)
<b>Consumo de energía</b>	1380 W
<b>Desplazamiento de aire libre en la bomba de vacío</b>	
	1,5 CFM (42 l/m) a 60 Hz
<b>Mangueras de servicio</b>	9 ft (2,74 m) / SAE J2886
<b>Capacidad del depósito</b>	20,94 lb (9,5 kg)
<b>Peso</b>	176 lb (82 kg)

# Introducción

## Características





N.º de artículo	Descripción
1	Botella de drenaje de aceite
2	Altavoz
3	Manómetros del distribuidor de lado bajo (azul) y de lado alto (rojo)
4	Pantalla táctil LCD
5	Conexiones USB (vista detallada mostrada sin la cubierta protectora)
6	Mirilla de aceite de la bomba de vacío
7	Racor de drenaje de aceite de la bomba de vacío
8	Interruptor de alimentación
9	Bloqueo de rueda
10	Toma y tapón de llenado de aceite de la bomba de vacío
11	Toma de recuperación de contaminante
12	Mangueras de servicio
13	Tomas de almacenamiento de manguera de servicio
14	Cable de alimentación

# Introducción

---

## Leyenda de iconos



### ICONO DE AUTOMÁTICO

Pulsando este icono, se inicia el proceso automático de recuperación de refrigerante, vacío y carga.



### ICONO DE RECUPERACIÓN

Pulsando este icono, se inicia el proceso de recuperación de refrigerante.



### Icono de VACÍO

Pulsando este icono, se inicia el proceso de vacío del sistema.



### ICONO DE CARGA

Pulsando este icono, se inicia el proceso de carga de refrigerante.



### ICONO DE BÚSQUEDA DE VEHÍCULO

Pulsando este icono, se inicia el proceso de diagnóstico del sistema.



### ICONO DE AYUDA

Pulsando este icono, recibe ayuda e información correspondiente a la pantalla actual y/o a la función que esté visualizando o ejecutando.



### ICONO DE ATRÁS

Pulsando este icono, se vuelve a la pantalla anterior.



### ICONO DE INICIO

Pulsando este icono, se vuelve a la pantalla de inicio.



### ICONO DE APPS RECIENTES

Pulsando este icono, se abre una lista de imágenes en miniatura de apps utilizadas recientemente.



### ICONO DE VOLUMEN

Pulsando este icono, el usuario puede subir o bajar el volumen de sonido.



### ICONO DE BLUETOOTH

Manteniendo pulsado este icono, el usuario puede realizar los ajustes de Bluetooth y conectar dispositivos externos.



### ICONO DE WIFI

Manteniendo pulsado este icono, el usuario puede conectar la máquina a una red inalámbrica. Este icono también indica el estado de conexión y la intensidad de señal relativa.



### ICONO DE BATERÍA

Este icono indica siempre que la unidad está cargando. Esta es una función normal; no hay ninguna batería interna en la unidad.

## Funciones del Main Menu (Menú principal)

### Info and Status (Información y estado)

Muestra la capacidad de refrigerante del depósito de almacenamiento para la recuperación y carga. También muestra la cantidad de aceite del sistema en cada botella de almacenamiento. En este menú también aparecen la capacidad de recuperación y la capacidad de carga.

### Settings (Ajustes)

#### **General Settings (Ajustes generales)**

Muestra el nombre y el número de serie del modelo y ofrece las siguientes opciones de ajustes:

- **Unit of Measure (Unidad de medida)**  
Puede elegir entre unidades métricas o imperiales.
- **Date (Fecha)**  
Muestra la fecha actual.
- **Time (Hora)**  
Muestra la hora actual. El usuario puede cambiar la hora seleccionando el huso horario correspondiente.

#### **Software Information (Información de software)**

Muestra la versión actual de software y la fecha de publicación. Notifica y ofrece la posibilidad de instalar una versión de software actualizada si está disponible. Muestra información adicional de software y enlaces a las notas de la versión e información de la licencia. También permite visualizar datos sobre el software de código abierto.

#### **Edit Print Header (Editar encabezado de impresión)**

Programa la información que aparecerá en la hoja impresa de servicio, incluyendo nombre del taller, dirección, sitio web, correo electrónico y número de teléfono.

#### **Printer Settings (Ajustes de impresora)**

El sistema de impresión de la máquina utiliza Google Cloud Print; encontrará más información al respecto en <https://www.google.com/cloudprint/learn/>.

Muestra la impresora actual que utiliza la máquina y un menú desplegable con las impresoras disponibles.

#### **Select Language (Seleccionar idioma)**

Seleccione un idioma para los avisos de pantalla. El inglés es el idioma predeterminado.

#### **Owner's Manual (Manual de usuario)**

Proporciona un enlace para ver el PDF del manual de usuario más actualizado dentro del navegador.

#### **Video Library (Biblioteca de vídeos)**

Proporciona enlaces a vídeos de instrucciones e información sobre el producto.

#### **Contact Robinair (Contactar con Robinair)**

Facilita información como el número de teléfono y correo electrónico del servicio de atención al cliente, soporte técnico y servicio internacional de Robinair.

#### **Registration (Registro)**

Si no registra y activa la máquina en un plazo de 30 días desde su puesta en marcha inicial, la máquina se bloquea y deja de funcionar. Debe seleccionar este elemento del menú Settings (Ajustes) y seguir los avisos de la pantalla antes de que finalice el periodo de prueba. Permite al usuario actualizar el registro.

#### **Subscriptions (Suscripciones)**

Muestra el estado de una suscripción a una base de datos de diagnóstico de referencia y proporciona un enlace para cambiar el estado de suscripción. Esta página también muestra el estado de las suscripciones a subidas de datos de servicio.

# Introducción

---

## **Funciones del Setup Menu (Menú de configuración)**

Puede acceder a las siguientes funciones seleccionando **SETUP MENU** (Menú de configuración).

### **Calibration Check (Control de calibración)**

Se utiliza para verificar la calibración de balanza interna. Consulte Control de calibración en la sección Mantenimiento de este manual de usuario.

### **Filter Maintenance (Mantenimiento del filtro)**

El filtro elimina el ácido, las partículas y la humedad del refrigerante. El filtro debe sustituirse después de haber filtrado 330 lb (150 kg) de refrigerante. Este elemento de menú muestra la capacidad restante del filtro hasta que la máquina se bloquea y deja de funcionar. Consulte Mantenimiento del filtro en la sección Mantenimiento.

### **Flush Hoses (Lavado de mangueras)**

Limpia el aceite residual de las mangueras de servicio de la máquina para prepararla para el servicio del siguiente vehículo.

### **Production Menu (Menú de producción)**

Solo para uso de la producción de Robinair.

### **Pump Maintenance (Mantenimiento de la bomba)**

Muestra la cantidad de tiempo restante hasta que sea necesario el siguiente cambio de aceite de la bomba de vacío. Para lograr el máximo rendimiento de la bomba de vacío, cambie el aceite de la bomba cada vez que sustituya el filtro. Consulte Cambio de aceite de la bomba de vacío en la sección Mantenimiento.

### **Refrigerant Management (Gestión de refrigerante)**

Muestra la cantidad de refrigerante recuperado, cargado y rellenado (durante la vida útil de la máquina), y filtrado desde el último cambio de filtro.

### **System Flush (Lavado del sistema)**

Elimina el aceite forzando el paso de líquido refrigerante por un sistema de A/A o componentes de un sistema de A/A. Después del lavado, la máquina recupera el refrigerante y lo filtra a través del circuito de reciclaje.

### **Service Menu (Menú de servicio)**

Solo para uso del centro de servicio de Robinair.

### **Tank Fill (Llenado del depósito)**

Transfiere refrigerante de un depósito de origen al ISV. Es posible ajustar un valor de llenado del depósito superior o inferior para adaptarse a las necesidades del usuario. Consulte Llenado del depósito en la sección Mantenimiento.

### **Hose Equalize (Ecuilización de mangueras)**

Recupera el refrigerante de las mangueras de servicio hacia el sistema de A/A del vehículo. Este elemento puede resultar útil después de efectuar un diagnóstico que no requiera la recuperación del sistema de A/A en la máquina de RRR. Se solicita al usuario que conecte la manguera de servicio del lado bajo a la toma correspondiente y ponga en marcha el sistema de A/A del vehículo al máximo.

### **Internal Tank Status (Estado interno del depósito)**

Muestra la cantidad de refrigerante, la temperatura y la presión del depósito, además de la presión de vapor saturado calculada según la temperatura.

### **Buzzer Settings (Ajustes del zumbador)**

Configura los ajustes del zumbador de notificación. El zumbador puede estar encendido o apagado.

### **Leak Check (Comprobación de fugas)**

Realiza una comprobación interna de fugas de la unidad. Se utiliza una pequeña cantidad de refrigerante para cargar la unidad y se controla la caída de presión. El usuario puede inspeccionar si hay fugas con un detector de fugas externo (no incluido). Se recupera el refrigerante del sistema y se aplica vacío. De manera similar, el sistema controla cualquier cambio de presión y notifica al usuario si detecta alguna fuga.

### **Replace Service Hoses (Sustituir mangueras de servicio)**

Elimina el refrigerante restante de las mangueras de servicio antes de sustituir las.

### **System Information (Información del sistema)**

Muestra el nivel de revisión del software de la máquina.

## **Boost Refrigerant (Aumentar refrigerante)**

Permite al usuario añadir más refrigerante a un vehículo.

## **Temperature Sensor Snapshot (Captura de sensor de temperatura)**

Permite al usuario elegir si desea registrar la temperatura interna del vehículo antes y después del servicio. Debe adquirir aparte una sonda de temperatura inalámbrica.

## **Default Vacuum Time (Tiempo de vacío predeterminado)**

Permite al usuario especificar el tiempo predeterminado que el sistema de un vehículo permanece en vacío durante una prueba de fugas.

## **Adjust Background Fill Target (Ajustar el nivel de llenado de fondo deseado)**

Permite al usuario ajustar el nivel deseado en el depósito de refrigerante. Debe conectarse un depósito de refrigerante externo para apoyar esta función.

## **Requisitos y condiciones de funcionamiento**

El diseño de la tarjeta de módulo WiFi/BT cumple las directrices de la Comisión Federal de Comunicaciones de los EE.UU. (FCC), respetando los niveles de seguridad de exposición a radiofrecuencia (RF) para dispositivos móviles.

## **FCC ID**

Este producto contiene el FCCID: 2AHLA-SP01500243

## **Declaración de exposición a RF para dispositivos móviles**

Exposición a RF - Este dispositivo solo está autorizado para su uso en una aplicación móvil. Es preciso mantener en todo momento una distancia de separación mínima de 7,87 in. (20 cm) entre el dispositivo de tarjeta de módulo WiFi/BT y el cuerpo del usuario.

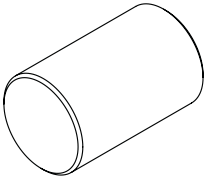
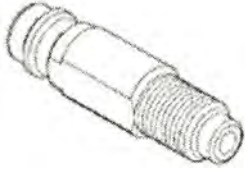
## **Declaración según la Parte 15 de la FCC**

Este equipo ha sido probado y cumple los límites de un dispositivo digital de clase A, conforme a la Parte 15 de la normativa de la FCC. Estos límites han sido diseñados para ofrecer una protección razonable frente a interferencias perjudiciales cuando el equipo se utiliza en un entorno comercial. Este equipo genera, utiliza y puede emitir energía de radiofrecuencia y, si no se instala y utiliza conforme al manual de instrucciones, puede provocar interferencias perjudiciales en las radiocomunicaciones. Si este equipo se utiliza en una zona residencial, probablemente cause interferencias perjudiciales, en cuyo caso el usuario deberá corregir las interferencias por cuenta propia.

# Configuración inicial

## Desembalaje del kit de accesorios

Desembale el kit de accesorios de la caja y retire el embalaje de plástico.

Peso de control de calibración 1,18 lb (533 g)	
Adaptador de manguera de llenado del depósito	
Bolsa que contiene el manual de usuario, fichas de datos de seguridad, información de EPA, información de MACS y una lista de centros de servicio.	



**ADVERTENCIA:** Para evitar lesiones personales mientras trabaja con el refrigerante, lea y siga las instrucciones y advertencias que figuran en este manual, y lleve equipos de protección como gafas y guantes.

### IMPORTANTE:

- Este procedimiento puede durar varias horas. Realice el procedimiento de configuración inicial ANTES de que necesite la máquina para el primer servicio de A/A de un vehículo.
- Durante la configuración inicial, la máquina le guía a través de los siguientes pasos. Puede modificar estos ajustes después de la configuración inicial en el Unit Setup Menu (Menú de configuración de la unidad).



**PRECAUCIÓN:** La máquina ha sido programada para ejecutar el procedimiento de configuración como se indica en este manual. Para evitar lesiones personales, NO utilice la máquina sin la toma de llenado de aceite instalada, ya que la bomba de vacío se presuriza durante el funcionamiento normal.

## Encendido de la máquina

1. Desenrolle el cable de alimentación de la empuñadura y enchúfelo en una toma de corriente de tensión adecuada y conectada a tierra.

*Nota: Para lograr el máximo rendimiento, no utilice ningún cable alargador con la unidad.*

2. Coloque la máquina de modo que el enchufe y el interruptor de alimentación sean fácilmente accesibles para el usuario. Verifique que los orificios del ventilador en la parte trasera de la máquina no estén obstruidos.
3. Bloquee las ruedas delanteras.
4. Accione el interruptor de alimentación en el panel de control para encender la máquina.

La máquina entra en el modo de configuración inicial.

## Seleccionar idioma

El usuario selecciona el idioma de los avisos de la pantalla.

## Conexión a una red inalámbrica (Wi-Fi)

Para aprovechar al máximo las funciones de esta máquina, se requiere una conexión inalámbrica. A continuación figuran las instrucciones para conectar la máquina de ACS a una red inalámbrica:

1. Enchufe y encienda la máquina.
2. Una vez se haya iniciado la máquina, arrastre la pantalla hacia abajo desde el borde superior y entre en la aplicación Settings (Ajustes).
3. Seleccione **NETWORK AND INTERNET** (Red e Internet) en la aplicación Setting (Ajustes) y, después, **WI-FI**. Verifique que Wi-Fi esté activado antes de intentar establecer conexión.
4. Seleccione una red inalámbrica en la lista de redes disponibles e introduzca la contraseña de la red si fuera necesario. La red queda guardada y se conecta automáticamente cuando la máquina esté encendida y dentro de su alcance. El estado de conexión se indica junto al nombre de la red.

## Configuración de una impresora inalámbrica

Para imprimir información e informes, debe conectarse una impresora inalámbrica a la máquina. Esta máquina utiliza Google Cloud Print; encontrará más información en <https://www.google.com/cloudprint/learn/>. A continuación figuran las instrucciones generales de configuración. Consulte también las instrucciones del fabricante de la impresora para obtener más información sobre cómo conectar la impresora inalámbrica.

1. Verifique que tanto la impresora como la máquina estén encendidas y conectadas a la misma red inalámbrica. Consulte las instrucciones del fabricante de la impresora para conectarla a una red inalámbrica. Consulte Conexión a una red inalámbrica en este manual para conectar la máquina.
2. Una vez se haya iniciado la máquina, arrastre la pantalla hacia abajo desde el borde superior y entre en la aplicación Settings (Ajustes).
3. Seleccione **CONNECTED DEVICES** (Dispositivos conectados) y, a continuación, **PRINTING** (Impresión).
4. Para añadir una impresora, seleccione **MORE** (Más) y, después, seleccione la impresora.

## Editar encabezado de impresión

Esta máquina es capaz de guardar e imprimir la información de recuperación, vacío, carga y lavado de vehículos que hayan sido recientemente objeto de mantenimiento. En cada hoja impresa

# Configuración inicial

aparece la información que haya cargado en **EDIT PRINT HEADER** (Editar encabezado de impresión).

Siga los avisos en la pantalla para introducir la siguiente información:

- Nombre del taller
- Dirección
- Sitio web
- Correo electrónico
- Número de teléfono

## Seleccionar unidades

El usuario establece cómo se visualizan las unidades de medida. Si selecciona unidades imperiales, los pesos se muestran en unidades métricas (según la norma SAE J2843), mientras que las presiones y la temperatura aparecen en unidades imperiales.

## Ajustar fecha y hora

Siga los avisos de la pantalla para ajustar la fecha y hora. El usuario puede cambiar el huso horario y el formato de hora, además de optar por que la red actualice automáticamente la fecha y hora.

## Acuerdo de licencia

Revise el acuerdo de licencia y siga los avisos en la pantalla para continuar.

## Vacío de servicio

En este punto, la máquina limpia sus tuberías internas antes de continuar con la configuración.

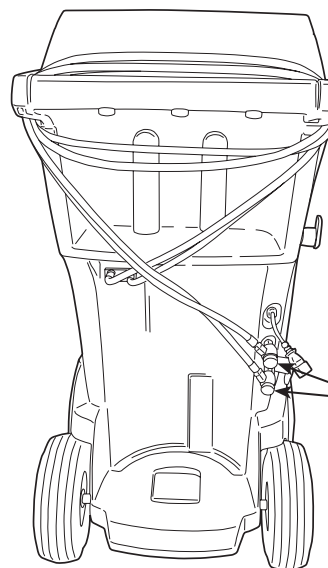
1. Compruebe la mirilla de nivel de aceite de la bomba de vacío y verifique que el nivel de aceite esté en el centro de la mirilla.
2. Cuando se le solicite, conecte las mangueras de servicio de la máquina en sus tomas de almacenamiento como se muestra en la Figure 1 y gire las válvulas de acoplamiento hacia la derecha para abrirlas.
3. La máquina entra en un vacío de 5 minutos y, una vez finalizado, inicia automáticamente el siguiente proceso de configuración.

## Ajustar el nivel de llenado de fondo deseado

Esta máquina incorpora una función de llenado de fondo del depósito. Es posible conectar fácilmente un depósito de almacenamiento de refrigerante externo a la máquina (con la manguera negra de llenado del depósito) para llenar continuamente el depósito de almacenamiento interno. Al tomar refrigerante del depósito de almacenamiento externo conectado, la máquina carga periódicamente el depósito ISV al nivel de llenado deseado. Introduzca el nivel de llenado deseado; la cantidad predeterminada es 10 lb (4,54 kg).



**ADVERTENCIA:** Para evitar lesiones personales mientras trabaja con el refrigerante, lea y siga las instrucciones y advertencias que figuran en este manual, y lleve equipos de protección como gafas y guantes.



Mangueras de servicio conectadas a tomas de almacenamiento

Figura 1



## Llenado del depósito

Este procedimiento transfiere refrigerante de un depósito de origen al depósito de almacenamiento interno (ISV) de la máquina. La capacidad máxima del ISV es de 21 lb (9,5 kg).

1. La máquina muestra los campos de la cantidad deseada de llenado del depósito, la capacidad de carga y la cantidad de refrigerante recuperable (capacidad de recuperación) dentro del depósito de almacenamiento interno. Introduzca la cantidad deseada de llenado del depósito.

*Nota: Añada al menos 7,93 lb (3,6 kg) de refrigerante para garantizar una cantidad suficiente para la carga.*

2. Conecte la manguera de llenado del depósito (negra) al conector de líquido en el depósito de origen.
3. Abra la válvula del depósito de origen.
4. Coloque el depósito de origen de modo que llegue líquido refrigerante a la conexión.
5. Siga los avisos de la pantalla. La máquina comprueba el refrigerante en el depósito de origen para verificar que sea R1234yf y no esté contaminado.
6. Siga los avisos de la pantalla para iniciar el proceso de llenado del depósito. La máquina comienza a llenar el depósito de almacenamiento interno (ISV). Añada al menos 7,93 lb (3,6 kg) de refrigerante para garantizar una cantidad suficiente para la carga. Este proceso dura 15–20 minutos.
7. La máquina se detiene cuando se haya transferido la cantidad de refrigerante designada al ISV o cuando el depósito de origen esté vacío. Siga los mensajes de la pantalla.
8. Cierre la válvula del depósito de origen.
9. Siga los avisos de la pantalla para volver al Setup Menu (Menú de configuración).

La máquina está lista para el funcionamiento.

*Nota:*

- *No es necesario calibrar la balanza, ya que viene calibrada de fábrica.*
- *Una vez finalizado el proceso de llenado del depósito, la pantalla no muestra la misma cantidad que el nivel de llenado programado. La pantalla muestra la cantidad de refrigerante disponible para la carga, que es aproximadamente 1,4 lb (0,67 kg) menos que la cantidad total de refrigerante en el depósito.*

*Nota:*

**Capacidad de carga:** la cantidad de refrigerante en el ISV que puede cargarse en el sistema de A/A de un vehículo.

**Capacidad de recuperación:** la cantidad de refrigerante adicional que puede recuperarse en el ISV.

# Configuración inicial

---

## Registro de la unidad

Si no registra y activa la máquina en un plazo de 30 días desde su puesta en marcha inicial, la máquina se bloquea y deja de funcionar.

1. Después de encender la máquina, siga los avisos de Register Now (Registrar ahora) o Register Later (Registrar más tarde).
2. Conecte la unidad a una red inalámbrica si todavía no lo ha hecho.
3. Seleccione New Account (Cuenta nueva) si desea crear una cuenta nueva; de lo contrario, seleccione Existing Account (Cuenta existente). Siga los avisos para continuar.
4. Introduzca la información de registro solicitada, incluyendo el nombre y la información de contacto.
5. Introduzca el código de activación en el campo correcto y siga los avisos para completar el proceso de registro.

*Nota: Introduzca el código exactamente como lo haya recibido. Es necesario introducirlo en mayúsculas.*

## Introducción de datos de servicio

Después de seleccionar cualquier función de servicio, puede introducir información sobre el vehículo y guardarla en la base de datos de la máquina.


La información introducida en esta pantalla se guarda por fecha y número de identificación del vehículo (VIN). Los datos más recientes del vehículo aparecen en la parte superior de la lista. La información también aparece en las hojas impresas con el resumen de servicio.

Los usuarios también pueden buscar especificaciones del vehículo como, por ejemplo, el tipo y la cantidad de aceite o el tipo y la cantidad de refrigerante.

# Instrucciones de funcionamiento



## Recuperación de refrigerante de un vehículo

1. Vacíe la botella de drenaje de aceite antes de iniciar la recuperación. Retire la botella de drenaje de aceite de la máquina tirando de la botella verticalmente hacia abajo — no haga ningún movimiento de giro o balanceo. Vuelva a instalar la botella de drenaje de aceite. Consulte la Figure 2.
2. Conecte las mangueras de servicio del lado alto (roja) y del lado bajo (azul) al sistema de A/A del vehículo.
3. Abra las válvulas de acoplamiento en las mangueras girando los collarines hacia la derecha.
4. Seleccione **RECOVER**  (Recuperación) en el **MAIN MENU** (Menú principal).
5. La máquina muestra el formulario de introducción de datos de servicio. Introduzca todos los datos pertinentes y siga los avisos para continuar. La máquina comprueba el refrigerante en el vehículo para confirmar que sea R1234yf y no esté contaminado. Si la pureza del refrigerante es aceptable, la máquina inicia el proceso de recuperación. El sonido de un clic indica que el solenoide está activado — esto es normal.

La máquina ejecuta un ciclo de autolimpieza para limpiar todo el refrigerante interno que pueda haber en sus tuberías internas.

Se inicia la recuperación del sistema, incluyendo un proceso de recuperación profunda de vacío temporizado.

Después de la recuperación, la máquina realiza un drenaje de aceite, que puede tardar hasta 90 segundos en terminar.

6. Una vez finalizado el drenaje de aceite, se muestra un resumen que indica la cantidad total de refrigerante recuperado. Se solicita al usuario que compruebe la botella de drenaje de aceite para anotar la cantidad de aceite drenado. La información de recuperación puede imprimirse seleccionando print (Imprimir).

*Nota: El peso recuperado visualizado puede variar en función de las condiciones ambientales y no debe utilizarse como indicador de precisión de la balanza.*

*Nota: La cantidad de aceite retirada del sistema de A/A es la cantidad de aceite nuevo que debe cargarse en el sistema de A/A después de finalizar la evacuación.*

*Solo debe instalarse en el sistema MAC el lubricante nuevo que especifique el fabricante del sistema. El lubricante retirado del sistema y/o del equipo debe desecharse conforme a los procedimientos y regulaciones federales, estatales y locales aplicables.*



**ADVERTENCIA:** Para evitar lesiones personales mientras trabaja con el refrigerante, lea y siga las instrucciones y advertencias que figuran en este manual, y lleve equipos de protección como gafas y guantes.

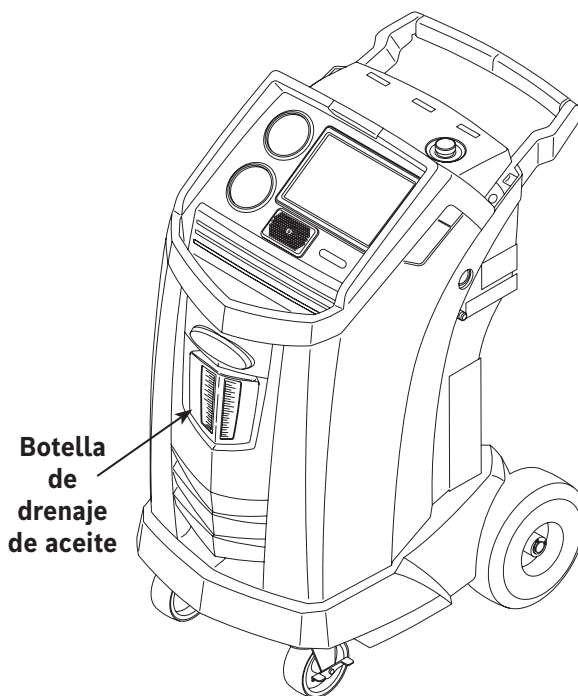



Figura 2



## Evacuación del sistema de A/A del vehículo

1. Conecte las mangueras de servicio a las tomas de servicio del vehículo.
2. Abra las válvulas de acoplamiento de las mangueras de servicio girando los collarines hacia la derecha.
3. Seleccione **VACUUM**  (Vacío) en el **MAIN MENU** (Menú principal). Si todavía no ha seleccionado ningún vehículo, introduzca la información de servicio del vehículo y siga los avisos para continuar.
4. Si lo desea, seleccione Vacuum Leak Check (Comprobación de fugas de vacío) para realizar automáticamente una comprobación de fugas de aumento de presión de 5 minutos después del vacío.
5. Introduzca el tiempo de vacío deseado y siga los avisos para continuar.

*Nota: El proceso de vacío se detiene si la presión excede 5 psi (0,35 bar). Recupere el refrigerante antes de continuar.*

La máquina genera un vacío en el sistema de A/A durante la cantidad de tiempo programada.

Seleccione print (Imprimir) para imprimir la información de vacío.



**ADVERTENCIA:** Para evitar lesiones personales mientras trabaja con el refrigerante, lea y siga las instrucciones y advertencias que figuran en este manual, y lleve equipos de protección como gafas y guantes.

# Instrucciones de funcionamiento

## Lavado de las mangueras

Si el siguiente vehículo objeto de mantenimiento contiene un tipo de aceite distinto al del vehículo anterior, se recomienda eliminar el aceite residual de las mangueras de servicio para evitar la contaminación.

1. Seleccione **FLUSH HOSES** (Lavado de mangueras) en el **SETUP MENU** (Menú de configuración). Siga los avisos para conectar las mangueras de servicio a las tomas de almacenamiento y abra las válvulas de acoplamiento.
2. Conecte las mangueras de servicio a las conexiones de las tomas de almacenamiento de la máquina como se muestra en la Figure 3.
3. Abra las válvulas de acoplamiento de las mangueras de servicio girando los collarines hacia la derecha.
4. Siga los avisos para iniciar el proceso de lavado de mangueras, que dura tres minutos, seguido de una recuperación.

Seleccione Exit (Salir) para volver al **MAIN MENU** (Menú principal) cuando haya finalizado el lavado de las mangueras.

5. Cierre las válvulas de acoplamiento girando los collarines hacia la izquierda.

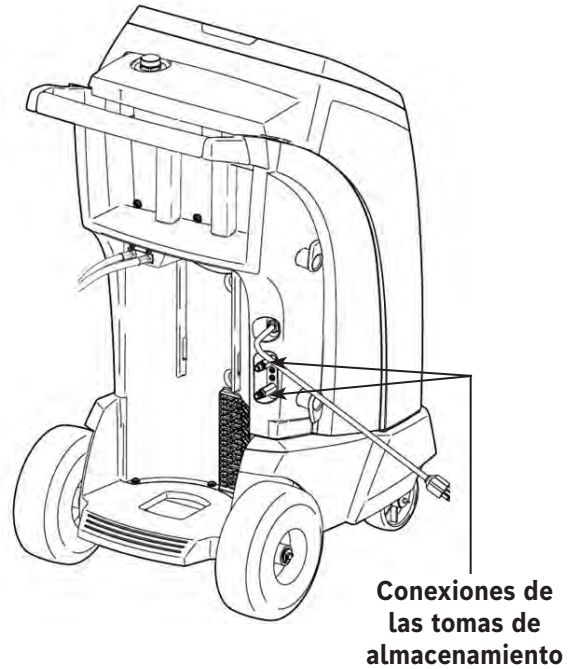


Figura 3




## Recarga del sistema de A/A del vehículo

Las siguientes pruebas se realizan automáticamente conforme a la norma SAE J2843:

- Prueba de vacío que tarda 5-20 minutos en alcanzar el nivel correcto
- Prueba de aumento de vacío de 5 minutos
- Carga del 15%
- Prueba manual de fugas utilizando un detector de fugas certificado para SAE J2913

*Notas:*

- *La prueba de fugas según J2843 ha sido diseñada para encontrar una fuga importante antes de la carga por motivos de seguridad. No ha sido diseñada para reemplazar otras prácticas establecidas de pruebas de fugas.*
- *Para evitar falsos fallos, las temperaturas del sistema del vehículo y de la máquina de recuperación deben situarse en un margen de  $\pm 41$  °F (5 °C).*

1. Seleccione **CHARGE**  (Carga) en el **MAIN MENU** (Menú principal).
2. Introduzca los datos de servicio cuando se le solicite.
3. Siga los avisos para continuar. Si el sistema tiene un compresor eléctrico con aceite POE, elimine todo el aceite residual de las mangueras. Se solicita al usuario que conecte las mangueras de servicio a las tomas de almacenamiento y abra las válvulas de acoplamiento. Consulte la "Figure 3" on page 20. Al continuar, comienza el proceso de lavado de las mangueras. Una vez finalizado, continúe por el proceso de carga.
4. Introduzca la cantidad de carga deseada y seleccione los datos de carga deseados. El lado alto es el predeterminado.
5. Conecte las dos mangueras de servicio a las tomas de servicio del vehículo y abra las válvulas de acoplamiento. Seleccione **PROCEED** (Continuar).
6. Inicie el proceso de carga. Si la máquina se mueve o golpea en este punto, esto puede provocar una carga imprecisa. Si el ciclo de carga se aproxima al valor de peso deseado, la máquina reduce la velocidad. Cargará, se detendrá, volverá a cargar, se detendrá, etc.
7. Cuando se le solicite, realice una ecualización de mangueras o una compensación de mangueras.

*Nota: La ecualización de mangueras requiere que el usuario arranque el vehículo. La compensación de mangueras añade una cantidad predeterminada de refrigerante para compensar el volumen de las mangueras de servicio.*

8. Se solicita al usuario que cierre las válvulas de acoplamiento y desconecte las mangueras del vehículo. Siga los avisos para recuperar cualquier refrigerante restante de las mangueras.
9. Cuando aparezca la pantalla **CHARGE COMPLETE** (Carga completa), incluirá un resumen de los resultados de carga. El usuario puede imprimir el resumen si hay una impresora instalada. Seleccione **EXIT** (Salir) para volver al **MAIN MENU** (Menú principal).


El sistema de A/A del vehículo está ahora listo para el uso.

# Instrucciones de funcionamiento



## Función automática

La función **AUTOMATIC** (Automática) permite al usuario realizar una secuencia automática de recuperación, vacío, prueba de fugas y/o carga. Una secuencia automática total puede tardar hasta una hora en terminar.

1. Conecte las mangueras de servicio del lado alto (roja) y del lado bajo (azul) al sistema de A/A.
2. Abra las válvulas de acoplamiento de las mangueras de servicio girando los collarines hacia la derecha.
3. Seleccione **AUTOMATIC**  (Automática) en el **MAIN MENU** (Menú principal) e introduzca la información de servicio del vehículo.
4. Introduzca la duración de vacío deseada.
5. Elija si desea realizar una prueba de fugas de vacío. El ajuste predeterminado es ON (Activado).
6. Introduzca la cantidad de carga deseada y seleccione la ruta de carga. El lado alto es el predeterminado.

La unidad continúa ahora automáticamente por todas las funciones aplicables: **RECOVER**, **VACUUM** (Recuperación, Vacío) y **CHARGE** (Carga). Si el vehículo objeto de mantenimiento se ha sometido anteriormente a un procedimiento de recuperación y vacío, la máquina solo lleva a cabo una **CHARGE** (Carga).

7. Una vez finalizado el proceso, se muestra un resumen de los resultados. El usuario puede imprimir el resumen.
8. Se solicita al usuario que cierre las válvulas de acoplamiento y desconecte las mangueras del vehículo. Siga los avisos para recuperar cualquier refrigerante restante de las mangueras. Una vez finalizada la limpieza, la máquina vuelve al Main Menu (Menú principal).

El sistema de A/A del vehículo está ahora listo para el uso.



**ADVERTENCIA:** Para evitar lesiones personales mientras trabaja con el refrigerante, lea y siga las instrucciones y advertencias que figuran en este manual, y lleve equipos de protección como gafas y guantes.

### Notas:

- La función **CHARGE** (Carga) para vehículos equipados con un racor de servicio único debe realizarse manualmente según los procedimientos del manual de servicio del fabricante del vehículo.
- Si surgen problemas durante la secuencia automática, suena una alerta acústica tres veces. La secuencia permanece en pausa hasta que el usuario decida cómo continuar.



# Instrucciones de funcionamiento

## Lavado del sistema

Las siguientes pruebas se realizan automáticamente conforme a la norma SAE J2843:

- Prueba de vacío que tarda 5-20 minutos en alcanzar el nivel correcto
- Prueba de aumento de vacío de 5 minutos
- Prueba manual de fugas utilizando un detector de fugas certificado para SAE J2913

Notas:

- *La prueba de fugas según J2843 ha sido diseñada para encontrar una fuga importante antes de la carga por motivos de seguridad. No ha sido diseñada para reemplazar otras prácticas establecidas de pruebas de fugas.*
- *Para evitar falsos fallos, las temperaturas del sistema del vehículo y de la máquina de recuperación deben situarse en un margen de  $\pm 41$  °F (5 °C).*

La función **SYSTEM FLUSH** (Lavado del sistema) se ejecuta utilizando un adaptador de lavado autorizado por el fabricante del vehículo. Consulte las instrucciones que se incluyen con el adaptador mientras se realizan los siguientes pasos.

1. Verifique que el filtro y el tamiz del dispositivo de lavado no estén obstruidos.
2. Monte el dispositivo de lavado en la parte trasera de la máquina.
3. Retire la botella de drenaje de aceite (consulte la Figure 4) de la máquina Robinair. Drene la botella de aceite y deseche el aceite según las regulaciones aplicables. Vuelva a instalar la botella de drenaje de aceite en la máquina.
4. Recupere todo el refrigerante del sistema que desea lavar.
5. Anote la cantidad de aceite recogido durante la recuperación. Esta cantidad debe reponerse, así como todo el aceite recogido durante el lavado.

*Nota: La cantidad de aceite recogido y notificado durante el lavado del sistema no incluye la cantidad de aceite recogido durante la recuperación inicial.*

6. Verifique que haya al menos 13,2 lb (6,0 kg) de refrigerante en la máquina. La máquina no podrá finalizar el lavado del sistema sin al menos 13,2 lb (6,0 kg) de refrigerante en el ISV.

*Nota: Si la máquina no tiene al menos 13,2 lb (6,0 kg) de refrigerante a bordo, consulte Tank Fill.*

7. Desconecte la máquina del vehículo.
8. Consulte el manual de servicio del vehículo y conecte las derivaciones y adaptadores de lavado adecuados.
9. Conecte la manguera de servicio del lado bajo (azul) directamente al filtro del kit de lavado.
10. Retire el acoplamiento de servicio del lado alto (rojo) y conecte la manguera de servicio del lado alto (roja) al adaptador de la línea de succión del sistema.



**ADVERTENCIA:** Para evitar lesiones personales mientras trabaja con el refrigerante, lea y siga las instrucciones y advertencias que figuran en este manual, y lleve equipos de protección como gafas y guantes.

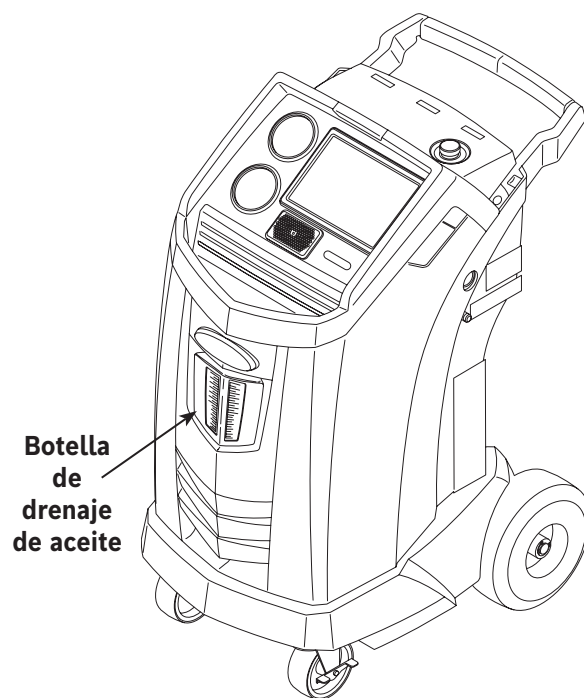


Figura 4

# Instrucciones de funcionamiento

---

11. Utilice la manguera suministrada para conectar el adaptador de descarga del sistema a la entrada del dispositivo de lavado.
12. Seleccione **SYSTEM FLUSH** (Lavado del sistema) en el **SETUP MENU** (Menú de configuración). La unidad solicitará la introducción de los datos de servicio. Siga los avisos para continuar con el proceso de lavado del sistema. Se solicita al usuario que introduzca un tiempo total de lavado dependiendo del proceso de lavado que haya activado.

La máquina inicia automáticamente el proceso **VACUUM** (Vacío) y procede a realizar una prueba de fugas.


Una vez finalizados el vacío y la prueba de fugas, la unidad inicia el proceso de lavado del sistema, seguido de un drenaje de aceite.

13. Una vez finalizado el lavado, se muestra un resumen de los resultados de lavado del sistema. El usuario puede imprimir el resumen.

El sistema de A/A del vehículo se ha lavado.

---

---

 **ADVERTENCIA:** NO desconecte los acoplamientos de servicio durante el proceso de lavado. Podría salir refrigerante de los racores, y la exposición puede causar lesiones personales.

---

---

---

**PRECAUCIÓN:** El kit de lavado tiene un filtro intercambiable y un tamiz de residuos, y ambos pueden obstruirse. Al final del ciclo de lavado, compruebe el indicador del lado alto (rojo) en busca de presión en el sistema y el adaptador para confirmar la eliminación completa del refrigerante.

Si hay presión o queda refrigerante, salga del ciclo de lavado y entre en el modo de recuperación para recuperar el refrigerante a través de las mangueras del lado alto (roja) y del lado bajo (azul). A continuación, realice el mantenimiento de los filtros y repita el proceso de lavado.

---

# Instrucciones de funcionamiento

## Programa de mantenimiento

Tarea de mantenimiento	Intervalo recomendado
Cambio de filtro	Después de haber filtrado 330 lb (150 kg) de refrigerante. Consulte Mantenimiento del filtro en la sección Mantenimiento de este manual.
Cambio de aceite de la bomba de vacío	Cuando se sustituya el filtro. Consulte Cambio de aceite de la bomba de vacío en la sección Mantenimiento de este manual.
Cambio de la manguera de muestra del identificador de refrigerante	Cuando se sustituya el filtro; consulte la sección Identificador de refrigerante de este manual.
Control de funcionamiento de ruedas giratorias y demás ruedas	Mensualmente.
Control de calibración de balanza interna	Mensualmente. Consulte Control de calibración en la sección Mantenimiento de este manual.
Comprobación de fugas en la máquina	Mensualmente. Compruebe si hay fugas en las mangueras y conexiones. Desconecte la alimentación eléctrica, retire la cubierta y compruebe los racores con un detector electrónico de fugas.
Limpieza del panel de salida del flujo de aire (consulte la Figure 5)	Mensualmente. Utilice un paño limpio.
Limpieza del armario y del panel de control	Mensualmente. Utilice un paño limpio.
Inspección del cable de alimentación y las mangueras para ver si hay cortes o abrasiones	Diariamente.
Lubricación de los cojinetes de ruedas e inspección de los componentes de freno	Mensualmente.
Prueba de presión	Cada 10 años. A cargo de un centro de servicio autorizado de Robinair.

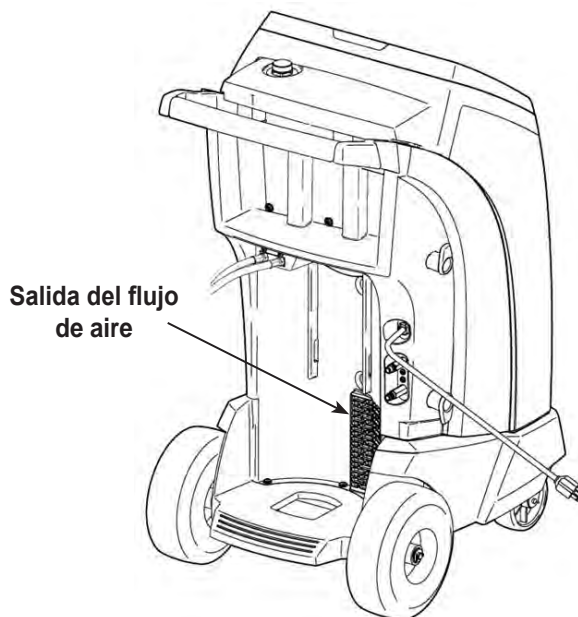


Figura 5



**ADVERTENCIA:** Para evitar lesiones personales, solo debe inspeccionar y reparar esta máquina personal cualificado. Lea y siga las instrucciones y advertencias que figuran en este manual, y lleve equipos de protección como gafas y guantes.



# Mantenimiento

## Ajustar el nivel de llenado de fondo deseado

Esta máquina incorpora una función de llenado de fondo del depósito. Es posible conectar fácilmente un depósito de almacenamiento de refrigerante externo a la máquina (con la manguera negra de llenado del depósito) para llenar continuamente el depósito de almacenamiento interno. Al tomar refrigerante del depósito de almacenamiento externo conectado, la máquina carga periódicamente el depósito ISV al nivel de llenado deseado.

1. Seleccione **ADJUST BACKGROUND FILL TARGET** (Ajustar el nivel de llenado de fondo deseado) en el **SETUP MENU** (Menú de configuración).
2. Introduzca el nivel de llenado deseado, guarde el nuevo valor y salga. Siga los avisos para salir y continúe utilizando la cantidad introducida previamente.

## Llenado del depósito

Este elemento de menú se utiliza para transferir refrigerante de un depósito de origen al ISV.

La capacidad máxima del depósito de almacenamiento interno (ISV) es de 21 lb (9,5 kg). Utilice las teclas de flecha para mover el cursor, y el teclado para introducir un valor.

*Nota: Añada al menos 7,93 lb (3,6 kg) de refrigerante para garantizar una cantidad suficiente de refrigerante para la carga.*

1. Conecte la manguera de llenado del depósito (negra) al conector de líquido en el depósito de origen lleno.

*Nota: La manguera de llenado del depósito y la toma de acceso al depósito tienen roscas a la izquierda.*

2. Coloque el depósito de origen de modo que llegue líquido refrigerante a la conexión. Abra la válvula del depósito de origen y verifique que el depósito no limite el flujo de aire del orificio de ventilación.

3. Seleccione **TANK FILL** (Llenado del depósito) en el **SETUP MENU** (Menú de configuración).

4. Introduzca la cantidad que desea recuperar. La máquina comprueba el refrigerante en el depósito de origen para verificar que sea R1234yf y no esté contaminado.

*Nota: Añada al menos 7,93 lb (3,6 kg) de refrigerante para garantizar una cantidad suficiente de refrigerante para la carga.*

5. La máquina comienza a llenar el ISV y se detiene automáticamente cuando se ha alcanzado el nivel de llenado predeterminado del depósito. Para detener el nivel de llenado antes de alcanzar el nivel predeterminado, seleccione **II**. En la pantalla aparece la opción de salida.

6. Una vez finalizado, cierre la válvula del depósito de origen y retire la manguera de dicho depósito.



**ADVERTENCIA:** Para evitar lesiones personales mientras trabaja con el refrigerante, lea y siga las instrucciones y advertencias que figuran en este manual, y lleve equipos de protección como gafas y guantes.

## Mantenimiento del filtro

El filtro ha sido diseñado para atrapar el ácido y las partículas y eliminar la humedad del refrigerante. Para cumplir la exigencia de eliminar adecuadamente la humedad y los contaminantes, el filtro debe sustituirse después de haber filtrado 330 lb (150 kg) de refrigerante.

La máquina emite una advertencia cuando se han utilizado 220 lb (100 kg) de la capacidad del filtro; cuando se alcanzan 330 lb (150 kg) de capacidad del filtro, la máquina se bloquea y deja de funcionar.


### Control de la capacidad restante del filtro

1. Seleccione **FILTER MAINTENANCE** (Mantenimiento del filtro) en el **SETUP MENU** (Menú de configuración) o cuando la máquina lo solicite.

La máquina muestra la cantidad de capacidad restante del filtro hasta que la máquina se bloquea.

2. Siga los avisos para cambiar el filtro; o bien, cancele la operación para continuar utilizando la máquina.

---

 **ADVERTENCIA:** Los componentes de la máquina están bajo una gran presión. Para evitar lesiones personales, cambie únicamente el filtro cuando la máquina lo solicite.

---



**ADVERTENCIA:** Para evitar lesiones personales mientras trabaja con el refrigerante, lea y siga las instrucciones y advertencias que figuran en este manual, y lleve equipos de protección como gafas y guantes.

# Mantenimiento

## Sustitución del filtro

1. Para cambiar el filtro, la máquina solicita que introduzca el código del filtro nuevo.

Introduzca el número de serie que aparece en el filtro nuevo y siga los avisos para continuar.

*Nota: Si aparece "Invalid serial number" (Número de serie no válido), se ha introducido incorrectamente el número de serie, o bien, ya se ha utilizado el filtro en esta máquina.*

2. La máquina borra el filtro existente y muestra

---

Serial number accepted. (Número de serie aceptado)  
Turn power off and replace filter. (Desconecte la alimentación eléctrica y sustituya el filtro)

---

Apague la máquina. Retire la botella de aceite. Retire los cuatro tornillos que sujetan la cubierta. Consulte la Figura 6.

3. Cuelgue la cubierta en la parte trasera de la máquina como se muestra en la Figure 7.
4. Retire el filtro girándolo hacia la izquierda (visto desde la parte inferior del filtro).
5. Examine el filtro nuevo. Verifique que ambas juntas tóricas estén lubricadas y colocadas correctamente en las ranuras.
6. Instale el filtro nuevo enroscándolo hacia la derecha en su posición. Verifique que el filtro esté colocado correctamente como se muestra en la Figure 7. Apriete el filtro a 14,75 ft. lb. (20 Nm).
7. Encienda la máquina. Comienza la operación de cambio de aceite de la bomba de vacío.

Consulte "Change Vacuum Pump Oil" on page 30 en este manual para obtener más información.

A continuación, la máquina comienza la operación de comprobación de fugas. Consulte "Leak Check" on page 31 en este manual para obtener más información.

---

**Precaución:** Para evitar daños en el equipo, utilice únicamente filtros originales n.º 34724 de Robinair en esta máquina. Todas las pruebas y afirmaciones relativas al rendimiento se basan en el uso de este filtro específico.

---

Retire los cuatro tornillos que sujetan la cubierta.

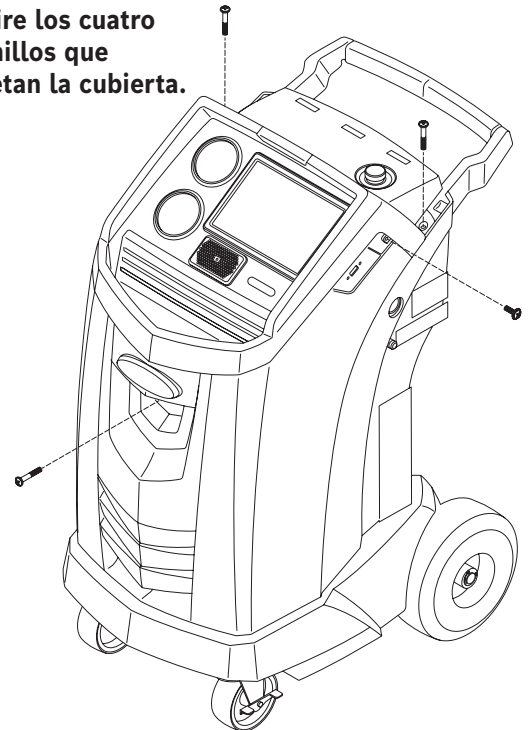


Figura 6

Cuelgue la cubierta aquí

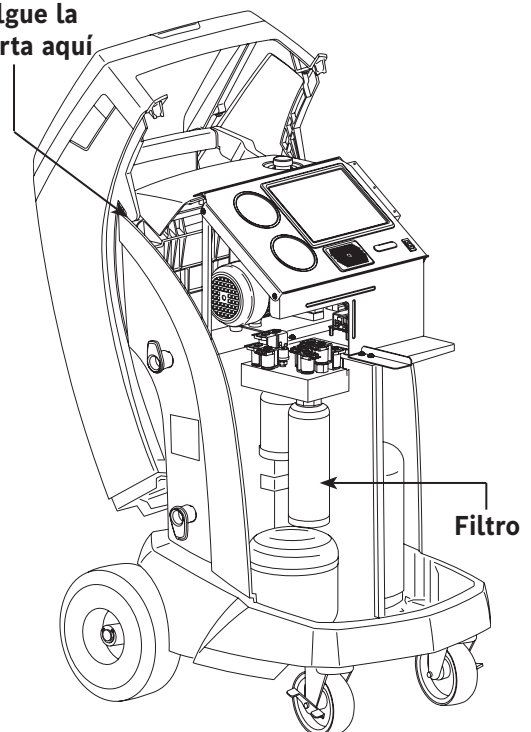


Figura 7

## Control de calibración

Esta función se utiliza para garantizar que la balanza interna de la máquina esté siempre calibrada. Durante esta prueba, utilice únicamente el peso de calibración suministrado con la máquina.

1. Consulte la Figure 8 y verifique que el imán situado en la parte inferior de la máquina esté limpio.
2. Seleccione **CALIBRATION CHECK** (Control de calibración) en el **SETUP MENU** (Menú de configuración).
3. Acople el peso de calibración en el imán situado en la parte inferior de la máquina. Siga los avisos de la pantalla.
4. Retire el peso de calibración del imán. Siga los avisos de la pantalla.

- Si la pantalla muestra "Calibration check passed" (Control de calibración superado)

la balanza está calibrada. Siga los avisos para volver al Setup Menu (Menú de configuración).

- Si la pantalla muestra "Calibration check failed. Retry?" (Control de calibración fallido. ¿Reintentar?)

la balanza no está calibrada. Siga los avisos para reintentar. Si la calibración continúa fallando, póngase en contacto con un centro de servicio autorizado de Robinair para recibir ayuda.

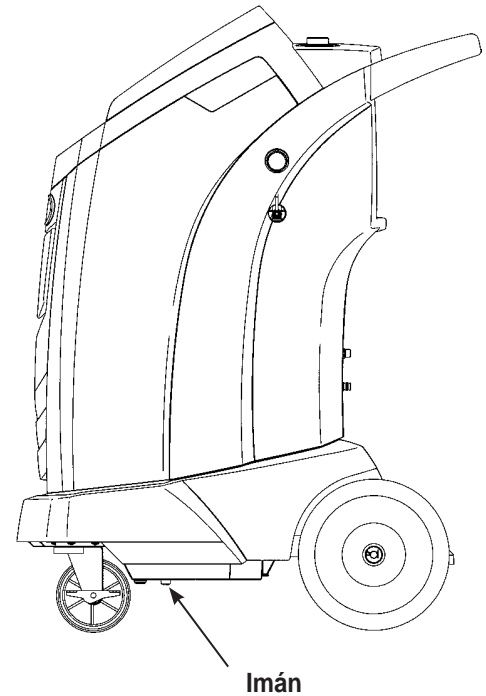


Figura 8

## Cambio de aceite de la bomba de vacío

1. Seleccione **PUMP MAINTENANCE** (Mantenimiento de la bomba) en el **SETUP MENU** (Menú de configuración) o cuando se le solicite. La pantalla muestra el tiempo que la bomba de vacío lleva funcionando desde el último cambio de aceite.
2. Siga los avisos para cambiar el aceite de la bomba de vacío. Si la máquina muestra un temporizador de advertencia de aceite, deje funcionar la bomba de vacío durante un máximo de dos minutos para calentar el aceite. Si el aceite ya está caliente, siga los avisos mientras el compresor está funcionando para eliminar cualquier presión en la bomba de vacío.
3. Una vez se detiene el compresor, abra **lentamente** el tapón de llenado de aceite para verificar que no haya presión en la máquina. A continuación, retire el tapón con cuidado. Consulte la Figure 9.
4. Retire el tapón del racor de drenaje de aceite y drene el aceite en un recipiente adecuado para desecharlo. Vuelva a colocar el tapón y cierre herméticamente. Añada lentamente 5 oz (150 ml) de aceite a la bomba de vacío a través de la toma de llenado de aceite.
5. Añada lentamente aceite a la bomba de vacío a través de la toma de llenado de aceite hasta que el aceite llegue al centro de la mirilla. Coloque el tapón en la toma de llenado de aceite y cierre herméticamente. Siga los avisos para volver al **SETUP MENU** (Menú de configuración).

*Nota: Para alcanzar el nivel de aceite adecuado, asegúrese de que la máquina esté sobre una superficie plana y nivelada.*

---

**⚠ ADVERTENCIA:** Para evitar lesiones personales, **NO** utilice la máquina en ningún otro momento sin el tapón de la toma de llenado de aceite instalado, ya que la bomba de vacío se presuriza durante el funcionamiento normal.

---

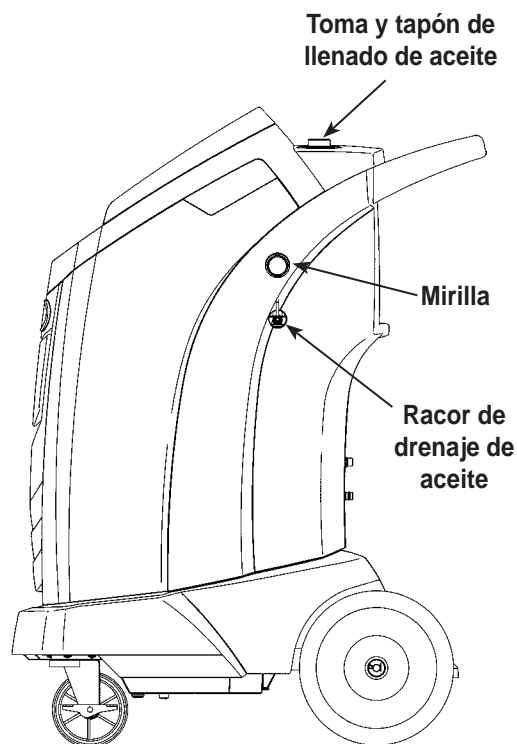


Figura 9

---

**PRECAUCIÓN:** El usuario es responsable de controlar el nivel y la pureza del aceite de la bomba de vacío. Si no se retira de la bomba de vacío y se sustituye el aceite contaminado, la bomba de vacío sufrirá daños permanentes.

---



## Comprobación de fugas

Es posible realizar una prueba de fugas en la máquina en cualquier momento. Durante esta prueba, los componentes que contienen refrigerante se presurizan y controlan en busca de una caída de presión, lo que podría indicar una fuga.

1. Seleccione **LEAK CHECK** (Comprobación de fugas) en el **SETUP MENU** (Menú de configuración).
2. Conecte los acoplamientos de las mangueras de servicio a las tomas de almacenamiento situadas en la parte trasera de la máquina. Abra los acoplamientos girando los collarines hacia la derecha.
3. Siga los avisos de la pantalla. La máquina realiza una recuperación automática.

La máquina realiza una prueba de vacío de 30 segundos.

Si no supera la prueba de vacío, la máquina solicita una comprobación de fugas.

Una vez la máquina supera la prueba de vacío, se aplica una presión controlada a sus componentes internos.

La presión se mantiene durante cinco minutos y se controla en busca de una posible caída. La pantalla muestra una cuenta atrás en minutos y segundos.

- Si se detecta una caída de presión aceptable, la máquina recupera refrigerante y vuelve al Setup Menu (Menú de configuración), lista para el funcionamiento normal.
- Si se detecta una caída de presión inaceptable, la máquina solicita una comprobación de fugas. Lleve la máquina a un centro de servicio autorizado de Robinair para su reparación.



**ADVERTENCIA:** Para evitar lesiones personales mientras trabaja con el refrigerante, lea y siga las instrucciones y advertencias que figuran en este manual, y lleve equipos de protección como gafas y guantes.



**ADVERTENCIA:** Para evitar lesiones personales, si es preciso transportar la máquina a un centro de servicio local de Robinair, siga las regulaciones locales sobre el transporte de equipos que contengan R1234yf.

# Mantenimiento

---

## Impresión de un registro de servicio

Después de configurar una impresora inalámbrica, seleccione Service Data (Datos de servicio) en el Main Menu (Menú principal). Seleccione la entrada de servicio del vehículo deseado y siga los avisos de la pantalla para la impresión.

## Actualización de software

El usuario puede comprobar si hay disponibles actualizaciones del sistema seleccionando Software Information (Información de software) en la pantalla Settings (Ajustes) del Main Menu (Menú principal). La actualización de software se inicia seleccionando el icono rojo "Update Software" (Actualización de software). De forma alternativa, la pantalla indica si el software está actualizado y no hay ninguna actualización de software disponible.

Antes de actualizar el software, asegúrese de que la unidad de ACS tenga una conexión inalámbrica potente. No interrumpa la alimentación eléctrica durante el proceso de instalación. Siga los avisos en la pantalla para completar el proceso de instalación.

## Sustitución del sensor de oxígeno en el identificador de refrigerante

El identificador de refrigerante de la máquina contiene un sensor de oxígeno intercambiable que puede afectar al modo de funcionamiento de la máquina si el sensor no funciona correctamente.

- Si la máquina muestra el siguiente mensaje, sustituya de inmediato el sensor de oxígeno:

---

OPERATING TIME OF THE IDENTIFIER AND UNIT ARE LIMITED  
REPLACE ID O2 SENSOR SOON  
UNIT WILL BECOME NONFUNCTIONAL  
(EL TIEMPO DE FUNCIONAMIENTO DEL IDENTIFICADOR Y DE LA UNIDAD ES LIMITADO  
SUSTITUYA PRONTO EL SENSOR DE ID DE O2  
LA UNIDAD QUEDARÁ INOPERATIVA)

---

- Si la máquina muestra el siguiente mensaje, el sensor de oxígeno ha caducado. Ni el identificador ni la máquina podrán recuperar o añadir refrigerante al depósito interno.

---

ANALYZER ERROR 6  
O2 SENSOR FAILURE  
SENSOR MUST BE REPLACED  
UNIT WILL NOT RECOVER OR ALLOW TANK FILL  
SEE MANUAL  
(ERROR DE ANALIZADOR 6  
FALLO DEL SENSOR DE O2  
EL SENSOR DEBE SUSTITUIRSE  
LA UNIDAD NO RECUPERARÁ NI PODRÁ LLENAR EL DEPÓSITO  
CONSULTE EL MANUAL)

---

### Procedimiento de sustitución

1. Desconecte la máquina de su fuente de alimentación.
2. Retire la botella de aceite y los cuatro tornillos que sujetan la cubierta. Consulte la Figure 10. Cuelgue la cubierta en la parte trasera de la máquina.
3. Desconecte el mazo de cables, el conector USB y la manguera de muestra del identificador. Consulte la Figure 11.
4. Retire los dos tornillos que sujetan el identificador en la máquina y el identificador propiamente dicho.
5. Retire con cuidado la tapa del sensor de oxígeno de la carcasa. Tire suavemente de la tapa y los cables hasta que el conector salga de la carcasa.

---

**PRECAUCIÓN:** El cable conectado a la tapa está conectado internamente al identificador. Para evitar daños en el equipo, **NO** tire de este cable.

---

Retire los cuatro tornillos que sujetan la cubierta.

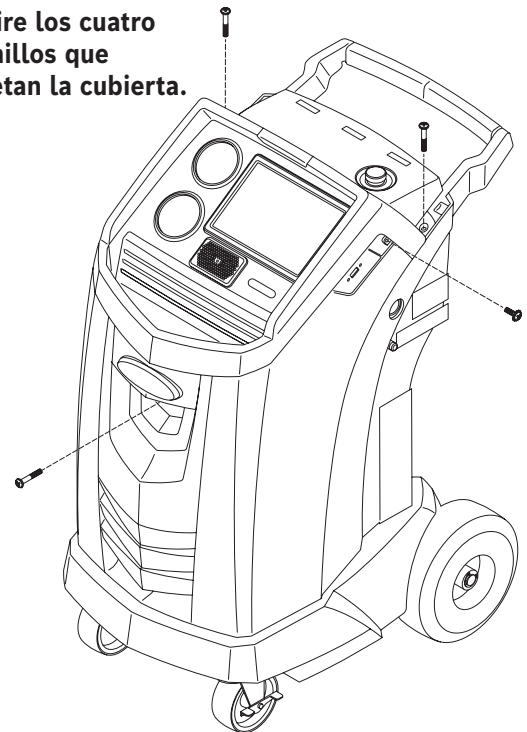


Figura 10

Desconecte el mazo de cables, el conector USB y la manguera de muestra.

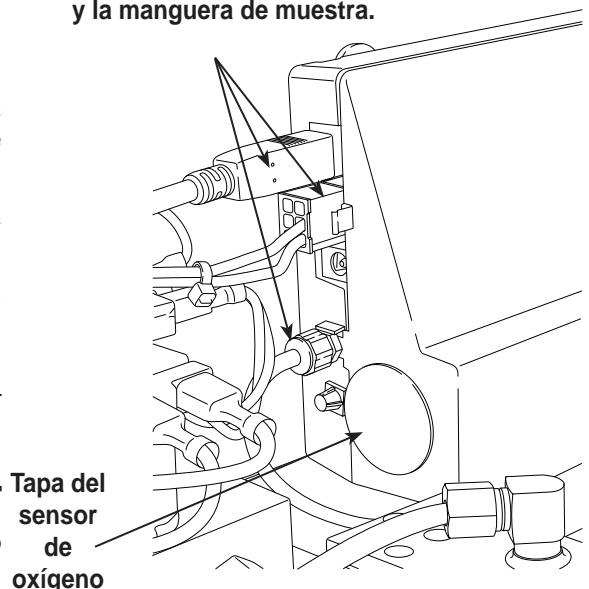


Figura 11

# Mantenimiento

- Desconecte el mazo de cables en el conector presionando la pestaña central. Separe los conectores. Consulte la Figure 12.
- Aparte la tapa y el arnés. Sujete el conductor del sensor y utilice un destornillador de punta plana para desenroscar y retirar el sensor de oxígeno. Consulte la Figure 13.
- Retire la película protectora rosa del extremo roscado del nuevo sensor de oxígeno.
- Instale el nuevo sensor de oxígeno utilizando el destornillador para enroscarlo en su posición. Apriete el sensor a 4 in. lb. (0,45 Nm)
- Vuelva a conectar el conductor en el conector e introduzca los cables en la abertura.
- Vuelva a colocar la tapa y presione hasta que haga "clic" en su posición. Instale el identificador en la máquina y vuelva a conectar el mazo de cables, el conector USB y la manguera de muestra.
- Verifique que el cableado no esté atascado y vuelva a colocar la cubierta.

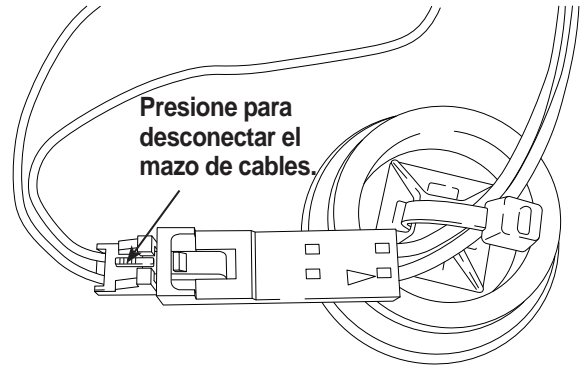


Figura 12

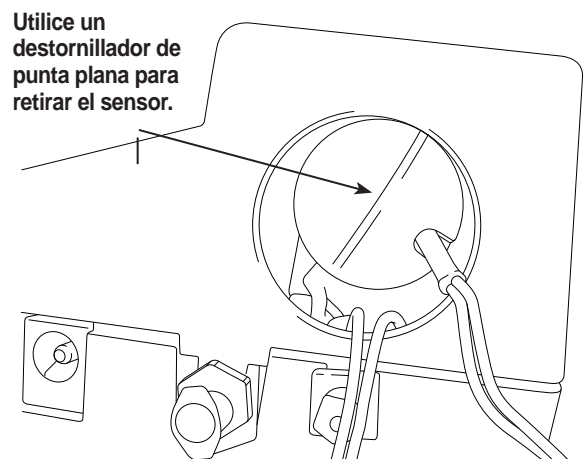


Figura 13

## Identificador de refrigerante

El identificador de refrigerante recoge muestras del refrigerante que entra en el ISV para verificar que sea R1234yf y no esté contaminado. Sustituya el conjunto de manguera de muestra en cada cambio de filtro y también si se lo solicita un mensaje de error indicando que la manguera está obstruida. Consulte la Figure 14.

- Desconecte el conjunto de manguera de muestra existente entre el solenoide y el identificador de refrigerante e instale un nuevo conjunto de manguera de muestra.

*Nota: El filtro también debe sustituirse si es de un color distinto al blanco.*

- Extraiga el filtro de los soportes mientras retira las lengüetas de los conectores de goma.
- Instale un filtro nuevo con la flecha orientada hacia arriba como se muestra en la ilustración. Introduzca las lengüetas del filtro en los conectores de goma.
- Instale la cubierta en la máquina y conecte la alimentación eléctrica (**ON**).

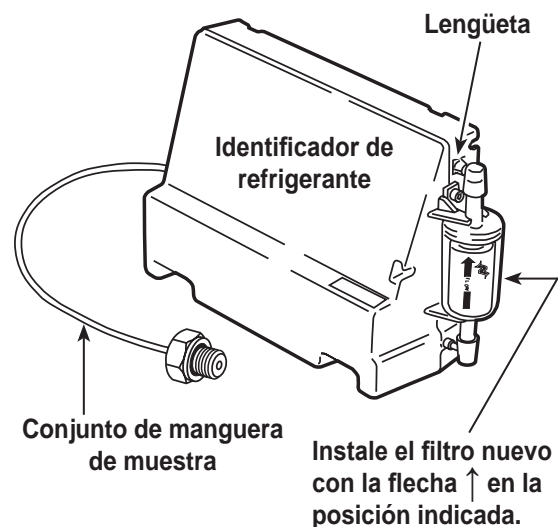


Figura 14

Sustituya el conjunto de manguera de muestra en cada cambio de filtro.

## Sustituir mangueras de servicio y/o acoplamientos de servicio

Asegúrese de que las mangueras de servicio estén sin presión antes de desconectar una manguera o acoplamiento de la máquina. Los manómetros deben indicar una presión igual o menor que 0 psig (0 bar).

Seleccione **REPLACE SERVICE HOSES** (Sustituir mangueras de servicio) en el **SETUP MENU** (Menú de configuración) para iniciar el proceso.

1. La máquina ejecuta un vacío de 30 segundos para garantizar que las mangueras estén vacías.
2. Siga los avisos para desconectar las mangueras.  
Retire y sustituya las mangueras de servicio antiguas.
3. La unidad guía al usuario para conectar las mangueras a las tomas de almacenamiento e iniciar el acondicionamiento de la unidad.
4. Se ejecuta un vacío en la unidad hasta que se haya eliminado el exceso de aire de las mangueras de servicio.
5. La máquina está ahora lista para el uso.

## Servicio del filtro de la manguera de llenado del depósito

La manguera de llenado del depósito, situada en la parte trasera de la máquina (consulte la Figure 15), contiene un filtro que puede limpiarse cuando parezca que el flujo de refrigerante es limitado.

Si la máquina detecta un bajo flujo, muestra uno de los siguientes mensajes:

- **SOURCE TANK EMPTY** (Depósito de origen vacío), pero se sabe que el depósito de origen contiene refrigerante, las conexiones son seguras y la válvula del depósito de origen está abierta.
- **REPLACE IDENTIFIER FILTER** (Sustituir filtro del identificador), pero se sabe que el filtro del identificador de refrigerante no tiene un flujo limitado, el depósito de origen contiene refrigerante, las conexiones son seguras y la válvula del depósito de origen está abierta.

El filtro de la manguera de llenado del depósito podría estar obstruido.

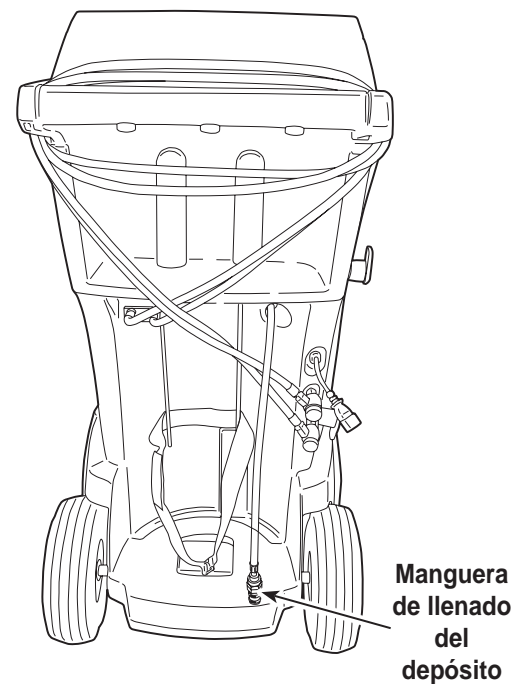


Figura 15

# Mantenimiento

---

## Limpieza del filtro de la manguera de llenado del depósito

1. En primer lugar, asegúrese de que no haya presión en la línea. Desconecte el depósito de origen externo y realice un llenado manual del depósito para capturar el refrigerante que pueda haber en la línea.
2. Desmonte la manguera de llenado del depósito en la caja del filtro como se muestra en la Figure 16.
3. Retire el filtro. El método recomendado para eliminar los residuos del filtro es mediante presión de aire.

*Nota: Si se utiliza un disolvente, deje transcurrir un tiempo de secado adecuado antes de volver a montarlo.*

4. Después de haber instalado el filtro en su caja, apriete el conjunto de la caja con un par de 6 ft. lb. (8,5 N•m).



Figura 16

## Piezas de repuesto

Póngase en contacto con el centro de atención al cliente de Robinair (1-800-533-6127) para obtener más información sobre las piezas de repuesto indicadas.

Componente	N.º de pieza de repuesto
Peso de calibración	16214
Filtro	34724
Botella de drenaje de aceite	19100
Acoplamiento de servicio de baja presión	18122
Acoplamiento de servicio de alta presión	18123
Juego de acoplamientos de servicio (acoplamientos del lado alto [rojo] y lado bajo [azul])	18124
Juego de mangueras sin acoplamientos (lado alto [roja] y lado bajo [azul])	71234
Manguera de servicio sin acoplamiento (lado bajo, azul)	70123
Manguera de servicio sin acoplamiento (lado alto, roja)	70124
Aceite de bomba de vacío (pinta)	13119
Aceite de bomba de vacío (cuarto)	13203
Aceite de bomba de vacío (galón)	13204
Cubierta de vinilo antipolvo (opcional)	17499
Filtro del identificador	16913
Filtro de oxígeno del identificador	16916
Manguera de muestra del identificador	16106
Filtro de manguera de llenado del depósito	10233



**ADVERTENCIA:** Para evitar lesiones personales, utilice únicamente las piezas de repuesto enumeradas en esta lista. Robinair ha probado y seleccionado cuidadosamente los artículos que figuran en esta lista de piezas.

## Glosario

**Sistema de A/A:** sistema de aire acondicionado del vehículo objeto de mantenimiento.

**Evacuación:** una bomba de vacío elimina la humedad y otras sustancias no condensables de un sistema de A/A.

**Depósito de almacenamiento interno (ISV):** depósito de almacenamiento de refrigerante recargable diseñado específicamente para esta máquina; 20,94 lb (9,5 kg) de capacidad.

**Prueba de fugas (vacío):** los componentes que contienen refrigerante se evacúan y controlan en busca de un aumento de presión, lo que podría indicar una fuga.

**Máquina:** N.º de modelo AC1234-9.

**Comprobación de fugas:** los componentes que contienen refrigerante se presurizan y controlan en busca de una caída de presión, lo que podría indicar una fuga.

**Recuperación / reciclaje:** se recupera refrigerante de un sistema de A/A, se filtra y almacena en el ISV.



**Refrigerante:** R1234yf.

# Mensajes de resolución de problemas

Pantalla	Causa	Solución
CALIBRATION CHECK FAILED (CONTROL DE CALIBRACIÓN FALLIDO)	La balanza interna no está calibrada.	Vuelva a intentar realizar el control de calibración. Si la calibración continúa fallando, salga de la prueba actual y póngase en contacto con un centro de servicio autorizado de Robinair para su reparación.
CHARGE STALLED! (CARGA ATASCADA)	El refrigerante se ha atascado en el ISV o en la máquina.	Verifique que las conexiones sean seguras, las válvulas estén en posición correcta y el ISV contenga suficiente refrigerante para completar la carga.
DATABASE NOT AVAILABLE (BASE DE DATOS NO DISPONIBLE)	La máquina no se ha enviado con la base de datos instalada.	Póngase en contacto con un centro de servicio autorizado de Robinair para obtener más información.
EXCESS TANK WEIGHT (PESO EXCESIVO EN DEPÓSITO)	Se ha activado el circuito de seguridad de sobrellenado. La máquina se ha bloqueado porque hay demasiado refrigerante en el ISV.	Póngase en contacto con un centro de servicio autorizado de Robinair para obtener más información.
FILTER CAPACITY EXHAUSTED, FILTER MUST BE REPLACED (CAPACIDAD DEL FILTRO AGOTADA, DEBE SUSTITUIR EL FILTRO) FILTER WEIGHT XXX.XYY (PESO DEL FILTRO XXX,XXY) REPLACE FILTER NOW? (¿SUSTITUIR AHORA EL FILTRO?)	Se han recuperado 330 lb (150 kg) o más de refrigerante desde el último cambio de filtro.	Consulte la sección Mantenimiento del filtro de este manual para obtener instrucciones sobre cómo cambiar el filtro.
FILTER SERIAL NUMBER HAS ALREADY BEEN USED. (YA SE HA UTILIZADO EL NÚMERO DE SERIE DEL FILTRO) RE-ENTER OR EXIT? (¿VOLVER A INTRODUCIR O SALIR?)	El número de serie del filtro introducido en la máquina no es correcto.	El filtro ya se ha utilizado en esta máquina. Obtenga un nuevo filtro de Robinair n.º 34724.
HIGH TANK PRESSURE (ALTA PRESIÓN EN EL DEPÓSITO)	La máquina se ha bloqueado porque la presión en el ISV es demasiado alta, probablemente debido a una temperatura excesiva en el depósito.	Deje enfriar la máquina antes de realizar un servicio de A/A adicional. Si el problema persiste, póngase en contacto con un centro de servicio autorizado de Robinair para obtener más información.
INSUFFICIENT REFRIGERANT. (REFRIGERANTE INSUFICIENTE) 6.00 KG REQUIRED FOR SYSTEM FLUSH (SE REQUIEREN 13,2 LB (6,00 KG) PARA LAVAR EL SISTEMA)	No hay suficiente refrigerante en el ISV para realizar un lavado del sistema.	Consulte Llenado del depósito en la sección Mantenimiento de este manual.
INSUFFICIENT REFRIGERANT (REFRIGERANTE INSUFICIENTE) AVAILABLE FOR CHARGE (DISPONIBLE PARA LA CARGA) SELECTED: XX.XXYY (SELECCIONADO: XX,XXYY) AVAILABLE: XX.XXYY (DISPONIBLE: XX,XXYY)	Después de introducir el peso deseado, si el proceso de carga deja menos de 1,4 lb (0,67 kg) de refrigerante en el ISV, no se inicia la función de carga.	Consulte Llenado del depósito en la sección Mantenimiento de este manual.



# Mensajes de resolución de problemas

Pantalla	Causa	Solución
INVALID CODE (CÓDIGO NO VÁLIDO)	El código de activación introducido en la máquina no es correcto.	Verifique que el código de activación se haya introducido exactamente como se ha recibido. Es necesario introducirlo en mayúsculas.
INVALID SERIAL NUMBER! (NÚMERO DE SERIE NO VÁLIDO)	El número de serie del filtro introducido en la máquina no es correcto.	Verifique que el número de serie introducido coincida con el número de serie en el filtro. Verifique que el filtro no se haya utilizado anteriormente en la máquina.
NO PRESSURE ON INLETS CHECK CONNECTIONS RECOVER ANYWAY? (SIN PRESIÓN EN LAS ENTRADAS COMPRUEBE LAS CONEXIONES ¿RECUPERAR DE TODOS MODOS?)	La presión del sistema es inferior a 5 psi (0,35 bar).	Verifique que las mangueras del lado alto (roja) y del lado bajo (azul) estén conectadas y las válvulas de acoplamiento abiertas. Seleccione  para ir a RECOVER (Recuperación); seleccione  para omitir la recuperación y continuar con VACUUM (Vacío).
OIL DRAIN HALTED. (DRENAJE DE ACEITE DETENIDO) PRESSURE ERROR. (ERROR DE PRESIÓN) RETRY OR EXIT? (¿REINTENTAR O SALIR?)	La presión del acumulador no ha aumentado por encima de 15,95 psi (1,10 bar) en el minuto anterior al momento en que debía producirse el drenaje de aceite.	Se requiere una presión adecuada en el acumulador para expulsar del sistema el aceite que se ha separado del refrigerante.
OIL DRAIN HALTED. (DRENAJE DE ACEITE DETENIDO) FLOW ERROR. (ERROR DE FLUJO) RETRY OR EXIT? (¿REINTENTAR O SALIR?)	La presión del acumulador no ha descendido por debajo de 8,99 psi (0,62 bar), indicando que no se ha drenado todo el aceite en el intervalo de tiempo indicado para el drenaje de aceite.	Es posible que la unidad necesite tiempo para volver a drenar todo el aceite debido a una baja temperatura, una alta viscosidad del aceite o una gran cantidad de aceite.
OIL LIFE REMAINING XX:XXX CHANGE OIL NOW? (VIDA ÚTIL RESTANTE DEL ACEITE XX:XXX ¿CAMBIAR AHORA ACEITE?)	La pantalla muestra la vida útil restante del aceite de la bomba de vacío antes de que la máquina se bloquee.	Consulte la sección Mantenimiento de este manual para obtener instrucciones sobre cómo cambiar el aceite de la bomba de vacío.
OUT OF RANGE ACCUMULATOR PRESSURE (PRESIÓN DEL ACUMULADOR FUERA DE RANGO)	El transductor de presión del acumulador no lee correctamente la presión.	Salga de la prueba actual y póngase en contacto con un centro de servicio autorizado de Robinair para obtener más información.
OUT OF RANGE ISV PRESSURE (PRESIÓN DEL ISV FUERA DE RANGO)	El transductor de presión del depósito de almacenamiento interno no lee correctamente la presión.	Salga de la prueba actual y póngase en contacto con un centro de servicio autorizado de Robinair para obtener más información.
OUT OF RANGE ISV TEMPERATURE (TEMPERATURA DEL ISV FUERA DE RANGO)	El sensor de temperatura del depósito de almacenamiento interno no lee correctamente la temperatura.	Salga de la prueba actual y póngase en contacto con un centro de servicio autorizado de Robinair para obtener más información.
OUT OF RANGE LS PRESSURE SENSOR (SENSOR DE PRESIÓN LS FUERA DE RANGO)	El transductor de presión del lado bajo (LS) no lee correctamente la presión.	Salga de la prueba actual y póngase en contacto con un centro de servicio autorizado de Robinair para obtener más información.

# Mensajes de resolución de problemas

Pantalla	Causa	Solución
POWER BOARD COMMUNICATION FAILED (COMUNICACIÓN FALLIDA DE PLACA DE ALIMENTACIÓN)	Fallo de comunicación con la placa de relé.	<i>Encienda y apague la máquina. Si el problema persiste, póngase en contacto con un centro de servicio autorizado de Robinair para obtener más información.</i>
PRESSURE LEAK TEST FAILED CHECK UNIT FOR LEAKS (PRUEBA DE FUGAS DE PRESIÓN FALLIDA COMPRUEBE FUGAS EN LA UNIDAD)	Hay una fuga en el sistema de A/A del vehículo.	<i>Salga de la prueba actual y realice las reparaciones en el sistema de A/A del vehículo.</i>
PURITY TEST FAILED (PRUEBA DE PUREZA FALLIDA)	El refrigerante comprobado no es R1234yf o está contaminado.	<i>No recupere el refrigerante contaminado en la máquina; utilice una máquina de recuperación de refrigerante externa específica para refrigerante contaminado. Consulte "Recuperación de refrigerante de un vehículo" en la pág. 17.</i>
SOURCE TANK IS EMPTY (EL DEPÓSITO DE ORIGEN ESTÁ VACÍO)	No es posible transferir refrigerante al ISV porque el depósito de origen está vacío.	<i>Salga de la prueba actual y sustituya el depósito de origen.</i>
TANK FULL. REMOVE REFRIGERANT BEFORE CONTINUING (DEPÓSITO LLENO. RETIRE EL REFRIGERANTE ANTES DE CONTINUAR)	El ISV está demasiado lleno para recuperar refrigerante adicional.	<i>Realice un proceso de carga para retirar el refrigerante del ISV antes de cualquier otro intento de recuperación.</i>
TRIAL PERIOD EXPIRED UNIT ACTIVATION REQUIRED TO CONTINUE USE (PERIODO DE PRUEBA FINALIZADO ES NECESARIO ACTIVAR LA UNIDAD PARA CONTINUAR UTILIZÁNDOLA)	Si no registra y activa la máquina en un plazo de 30 días desde su puesta en marcha inicial, la máquina se bloquea y deja de funcionar.	<i>Consulte la sección Activación de la unidad de este manual para registrar la máquina.</i>
VACUUM TEST FAILED. (PRUEBA DE VACÍO FALLIDA) CHECK SYSTEM FOR LEAKS (COMPRUEBE FUGAS EN EL SISTEMA)	Hay una fuga en el sistema de A/A del vehículo.	<i>Salga de la prueba actual y realice las reparaciones en el sistema de A/A del vehículo.</i>
PRESS CONTINUE TO HOSE EQUALIZE (PULSE CONTINUAR PARA LA ECUALIZACIÓN DE MANGUERAS)  PRESS ABORT TO HOSE COMPENSATE (PULSE CANCELAR PARA LA COMPENSACIÓN DE MANGUERAS)	Seleccione el método para completar el servicio de carga.	<i>Seleccione la tecla F3 para completar el servicio con una ecualización de mangueras. El vehículo debe estar encendido para finalizar el procedimiento. De lo contrario, seleccione F3 para completar el servicio con una compensación.</i>

# Mensajes de resolución de problemas

Pantalla	Causa	Solución
CLOGGED FILTER (FILTRO OBSTRUIDO)	Es posible que los residuos del filtro de lavado estén limitando el flujo.	<i>Siga las instrucciones de la pantalla. Recupere el refrigerante y sustituya el filtro.</i>
INSUFFICIENT VACUUM FOR SETUP (VACÍO INSUFICIENTE PARA CONFIGURACIÓN)	Se ha encontrado una fuga en el sistema de A/A.	<i>Póngase en contacto con el centro de servicio.</i>
FILTER CAPACITY LOW (BAJA CAPACIDAD DEL FILTRO)	Mensaje de advertencia para preparar al usuario para sustituir el filtro.	<i>Pronto se bloqueará el filtro. Sustituya los filtros. Consulte la información de la pantalla para solicitar las piezas.</i>
O2 SENSOR ON THE IDENTIFIER WILL HAVE TO BE REPLACED SOON (PRONTO DEBERÁ SUSTITUIRSE EL SENSOR DE O2 EN EL IDENTIFICADOR)	Mensaje de advertencia para sustituir el sensor de O2 en el identificador.	<i>El sistema se bloqueará en cuanto falle el sensor. Póngase en contacto con el centro de servicio para sustituir el sensor de O2.</i>
VACUUM LEAK TEST FAILED (PRUEBA DE FUGAS DE VACÍO FALLIDA)	Se ha encontrado una fuga en la unidad de A/A del vehículo.	<i>Salga de la prueba actual y realice las reparaciones en el sistema de A/A.</i>
PRESSURE LEAK TEST FAILED (PRUEBA DE FUGAS DE PRESIÓN FALLIDA)	Se ha encontrado una fuga en la unidad de A/A del vehículo.	<i>Salga de la prueba actual y realice las reparaciones en el sistema de A/A.</i>
REFRIGERANT IDENTIFIER ERROR (ERROR EN IDENTIFICADOR DE REFRIGERANTE)	Problema de conexión con el identificador.	<i>Siga las instrucciones de la pantalla. Póngase en contacto con el centro de servicio si el problema persiste.</i>
PRINTER OUT OF PAPER (IMPRESORA SIN PAPEL)	No hay papel en la impresora.	<i>Reponga el papel de la impresora y continúe.</i>
USED OIL BOTTLE FULL (BOTELLA DE ACEITE USADO LLENA)	La botella de aceite usado se ha llenado por completo.	<i>Vacíe la botella para evitar un desbordamiento del aceite.</i>
AIR FLOW ERROR (ERROR DE FLUJO DE AIRE)	No hay suficiente flujo de aire dentro del equipo.	<i>Compruebe si hay alguna obstrucción. No es seguro utilizar la máquina. Póngase en contacto con el centro de servicio.</i>
REAL-TIME CLOCK FAILURE (FALLO DE RELOJ EN TIEMPO REAL)	El reloj del sistema funciona incorrectamente.	<i>Póngase en contacto con el centro de servicio. La hora de la máquina es incorrecta. Los datos guardados e imprimidos en la máquina son imprecisos.</i>
VACUUM HALTED. (VACÍO DETENIDO) INLET PRESSURE IS TOO HIGH. (PRESIÓN DE ENTRADA EXCESIVA)	No es posible ejecutar el vacío con una alta presión de entrada.	<i>Compruebe la presión. Realice una recuperación.</i>

# Procedimientos de resolución de problemas

## Funciones de configuración, llenado del depósito y llenado de fondo del depósito

### Mensaje de pantalla: Purity Test Failed (Prueba de pureza fallida)

Durante **SETUP** (Configuración), **TANK FILL** (Llenado del depósito) o **BACKGROUND TANK FILL** (Llenado de fondo del depósito), si la máquina muestra

---

purity test failed  
recover contaminated  
refrigerant from system  
and hoses.  
ok to Retry esc to quit (Prueba de pureza fallida. Recupere el refrigerante contaminado del sistema y las mangueras.  
Aceptar para reintentar, Esc para salir)

---

el refrigerante en el depósito de origen no es R-1234yf o está contaminado. En cualquier caso, no debe añadirse al depósito de almacenamiento interno (ISV) de la máquina. Debe retirarse el refrigerante contaminado cuyas muestras ha recogido el identificador de refrigerante de la máquina.

Para los siguientes pasos se requiere una máquina de recuperación de refrigerante (Robinair 25700) específica para refrigerante contaminado. Consulte la Figure 17.

1. Conecte el adaptador de manguera de llenado del depósito (suministrado en el kit de accesorios) al acoplamiento del lado bajo de la máquina de recuperación de refrigerante 25700.
2. Conecte el otro extremo del adaptador al racor de la manguera de llenado del depósito en la máquina.
3. Conecte la manguera de descarga al depósito especificado para recibir el refrigerante contaminado.
4. Ponga en marcha la máquina 25700 y abra la válvula de acoplamiento. Ejecute una recuperación hasta que el indicador de la 25700 señale vacío.
5. Apague la 25700.
6. Desconecte lenta y cuidadosamente el adaptador de la manguera de llenado del depósito y la 25700. Podría quedar todavía una pequeña cantidad de presión en la línea.

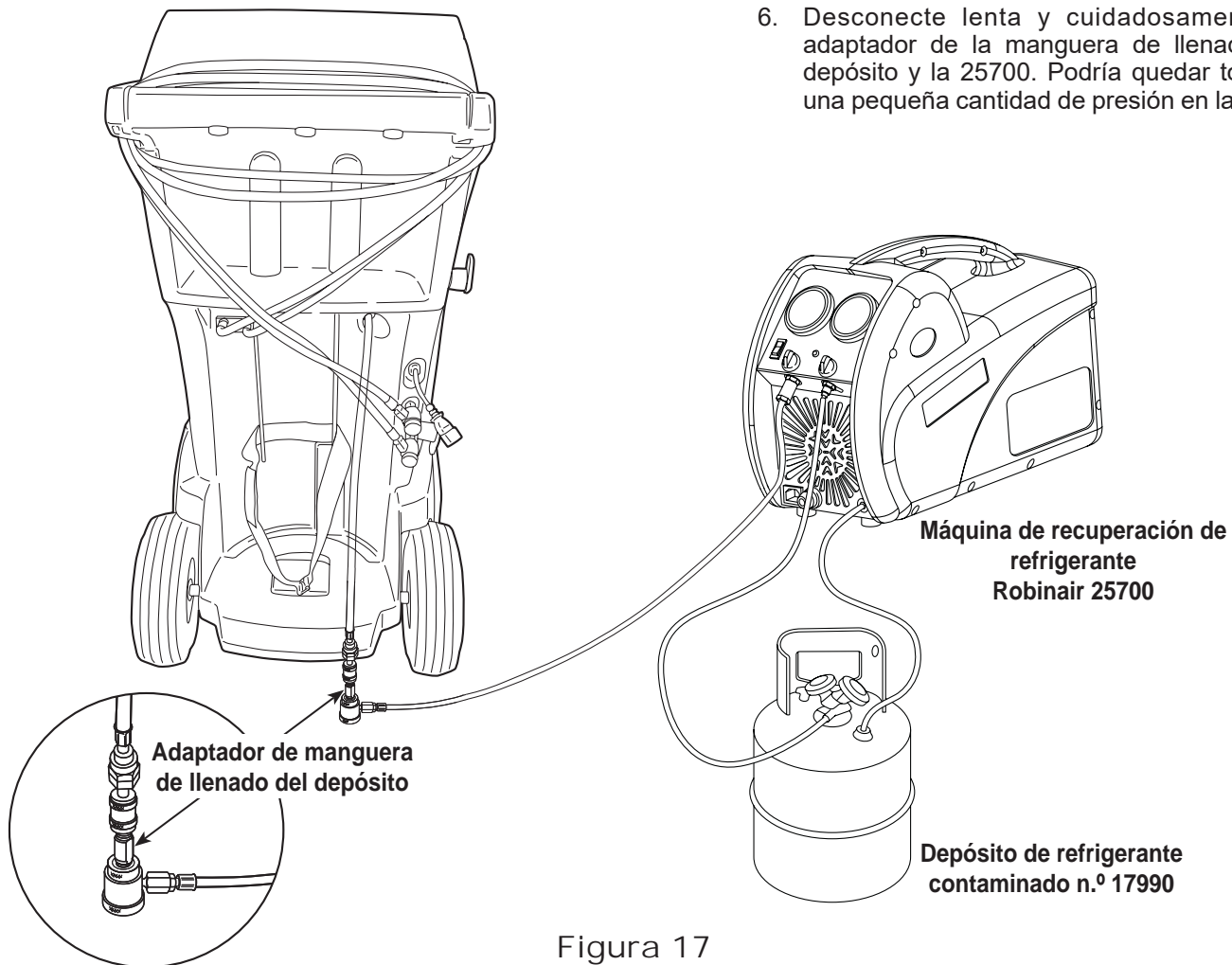


Figura 17

# Procedimientos de resolución de problemas

## Función de recuperación o función automática

### **Mensaje de pantalla: Purity Test Failed (Prueba de pureza fallida)**

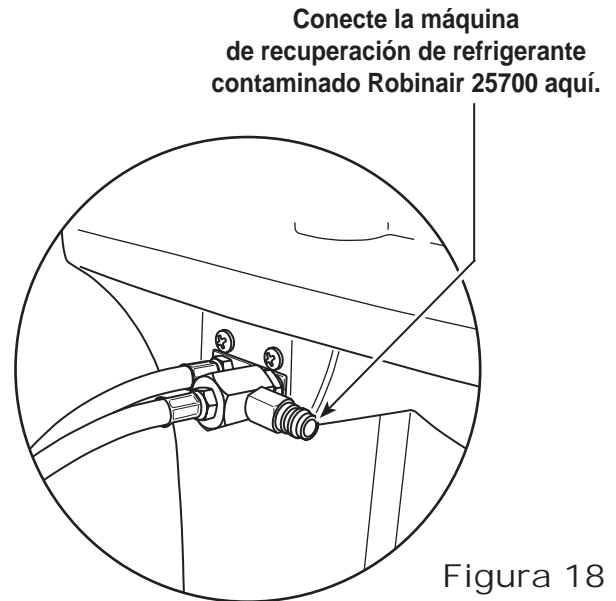
Durante la función **RECOVERY** (Recuperación) o **AUTOMATIC RECOVERY** (Recuperación automática), la máquina muestra información sobre la prueba de pureza.

Si no supera la prueba de pureza, el refrigerante en el depósito de origen o en el sistema de A/A del vehículo está contaminado o no es R-1234yf. En cualquier caso, no debe añadirse al depósito de almacenamiento interno de la máquina.

Debe retirarse el refrigerante contaminado cuyas muestras ha recogido el identificador de refrigerante de la máquina.

**Para los siguientes pasos se requiere una máquina de recuperación de refrigerante (Robinair 25700) específica para refrigerante contaminado:**

1. Con la máquina todavía conectada al vehículo y los acoplamientos abiertos, conecte el acoplamiento del lado bajo (azul) de la 25700 a la toma de recuperación de contaminante en la parte trasera de la máquina. Consulte la Figure 18. Abra las válvulas de acoplamiento.
2. Conecte la manguera de descarga de la 25700 al depósito diseñado para recibir el refrigerante contaminado.
3. Ponga en marcha la máquina 25700 y ejecute una recuperación según las instrucciones suministradas con la máquina.
4. Al lograr el vacío en el vehículo (o según las instrucciones de la máquina de recuperación), desconecte la 25700 de la máquina.
5. Elimine la contaminación residual del vehículo según las instrucciones del fabricante del vehículo antes de continuar el servicio.



# Almacenamiento y transporte del equipo

## Almacenamiento

No deje nunca la máquina bajo tensión si no la va a utilizar de inmediato.

1. Desconecte la máquina de su alimentación eléctrica.
2. Enrolle las mangueras de servicio alrededor de la empuñadura dos veces y acóplelas a las tomas de almacenamiento. Consulte la Figure 19.
3. Guarde la máquina en un lugar seco y estable, lejos de llamas y superficies calientes. La temperatura de la zona de almacenamiento debe situarse entre 0 °F y 140 °F (-18 °C y 60 °C).
4. Bloquee las ruedas delanteras.

## Transporte del equipo

---

**!** **ADVERTENCIA:** Para evitar lesiones personales, si es preciso transportar la máquina a un centro de servicio de Robinair, siga las regulaciones locales sobre el transporte de equipos que contengan R1234yf.

---

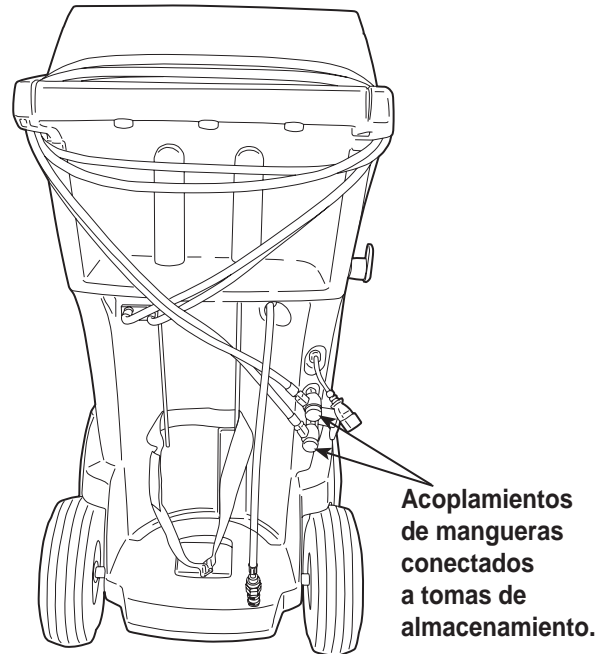


Figura 19

# Eliminación del equipo

---



Al final de su vida útil, deseche la máquina de R1234yf según las regulaciones gubernamentales vigentes.

- La administración pública y los fabricantes de aparatos eléctricos / electrónicos (AEE) se comprometen a facilitar los procesos de reutilización y recuperación de residuos de aparatos eléctricos / electrónicos mediante la organización de actividades de recogida y el uso de mecanismos de planificación adecuados.
- No deseche este equipo como residuo sólido urbano diverso. Disponga que lo recojan por separado. La eliminación no autorizada de residuos de aparatos eléctricos / electrónicos está penada por ley con las sanciones correspondientes.
- La reutilización y el reciclaje correcto de los aparatos eléctricos / electrónicos (AEE) son necesarios para la protección del medio ambiente y el bienestar de los seres humanos.

## Eliminación de materiales reciclados

El usuario es responsable de determinar si un material es un residuo peligroso en el momento de su eliminación. El usuario debe garantizar el cumplimiento de todas las leyes y regulaciones aplicables.

1. Entregue el refrigerante recuperado de los sistemas de A/A a proveedores de gas para su reciclaje o eliminación.
2. Entregue los lubricantes extraídos de los sistemas de A/A a centros de recogida de aceite usado.
3. Revise las leyes de su jurisdicción para determinar los procedimientos de eliminación correctos del aceite de la bomba.

## Eliminación de la máquina

1. Desconecte y purgue el gas del circuito de la máquina. Descargue por completo el depósito de refrigerante según las regulaciones gubernamentales vigentes.
2. Entregue la máquina a un centro de eliminación de desechos adecuado.

## Eliminación de las baterías



Al final de su vida útil, deseche las baterías según las regulaciones gubernamentales vigentes. Las baterías deben reciclarse o eliminarse correctamente. No deseche las baterías como parte del sistema de eliminación normal de residuos.



**ADVERTENCIA:** Para evitar lesiones personales, no arroje las baterías al fuego.

---

---

**PRECAUCIÓN:** Los sistemas de R1234yf llevan racores especiales (según las especificaciones SAE) para evitar la contaminación cruzada. No adapte la unidad a un sistema de refrigerante diferente, ya que esto provocará fallos.

---





## Instruction Manual

*(Mode d'emploi d'origine)*

Manual de instrucciones  
Guide d'utilisation

**Modèle AC1234-9**



Machine de récupération, de recyclage  
et de recharge pour les systèmes de  
climatisation au R1234yf

---

*Description : machine de récupération, de recyclage et de recharge  
pour les systèmes de climatisation au R1234yf.*

## RENSEIGNEMENTS SUR LE PRODUIT

Notez le numéro de série et l'année de fabrication de la machine pour référence ultérieure.  
Ces informations figurent sur l'étiquette d'identification du produit de la machine.

Numéro de série : \_\_\_\_\_ Année de fabrication : \_\_\_\_\_

**AVIS D'EXONÉRATION DE RESPONSABILITÉ** : les renseignements, les illustrations et les spécifications du présent manuel se basent sur les derniers renseignements disponibles au moment de la publication. L'entreprise se réserve le droit d'apporter des modifications à tout moment et sans aucune obligation d'en informer tout individu ou organisation. En outre, ROBINAIR décline toute responsabilité pour des erreurs contenues dans le présent manuel ou pour des dommages indirects ou consécutifs (incluant les pertes de profits) liés à l'approvisionnement, à la performance ou à l'utilisation de cette machine. Au besoin, il est possible d'obtenir de plus amples renseignements en matière de santé et de sécurité auprès des organismes gouvernementaux compétents et des fabricants de véhicules, de réfrigérants et de lubrifiants.

---


# Table des matières


<b>Table des matières</b> .....	1	<b>Mode d'emploi</b> .....	17
Explication des termes d'avertissement de sécurité utilisés dans le présent manuel .....	2	Saisie des données de service .....	17
Explication des décalcomanies de sécurité utilisées sur la machine .....	2	Récupération du réfrigérant d'un véhicule .....	18
Dispositifs de protection .....	4	Évacuation du système de climatisation du véhicule ..	19
Test du réservoir de réfrigérant .....	4	Rinçage des tuyaux .....	20
Exigence de la norme J2843 concernant le lubrifiant ..	4	Recharge du système de climatisation de véhicule ..	21
Mise en garde — Modifications .....	4	Fonction automatique .....	22
<b>Introduction</b> .....	5	Rinçage du système .....	23
Spécifications techniques .....	5	Programme d'entretien .....	25
Fonction .....	6	<b>Entretien</b> .....	26
Signification des icônes .....	8	Réglage de la valeur de remplissage cible en arrière-plan ..	26
Fonction du Main Menu (Menu principal) .....	9	Remplissage du réservoir .....	26
Info and Status (Informations et état) .....	9	Entretien du filtre .....	27
Settings (Paramètres) .....	9	Vérification de la capacité de filtre restante .....	27
Fonctions du Setup Menu (Menu Configuration) .....	10	Remplacement du filtre .....	28
Calibration Check (Contrôle de l'étalonnage) .....	10	Contrôle de l'étalonnage .....	29
Filter Maintenance (Entretien du filtre) .....	10	Vidange d'huile de la pompe à vide .....	30
Flush Hoses (Rinçage des tuyaux) .....	10	Contrôle d'étanchéité .....	31
Production Menu (Menu Production) .....	10	Impression d'un rapport de service .....	32
Pump Maintenance (Entretien de la pompe) .....	10	Mise à jour du logiciel .....	32
Refrigerant Management (Gestion du réfrigérant) .....	10	Remplacement du capteur d'oxygène dans l'identificateur de réfrigérant .....	33
System Flush (Rinçage du système) .....	10	Procédure de remplacement .....	33
Service Menu (Menu Service) .....	10	Identificateur du réfrigérant .....	34
Tank Fill (Remplissage du réservoir) .....	10	Remplacement des tuyaux de service et/ou des coupleurs de service .....	35
Hose Equalize (Égalisation des tuyaux) .....	10	Service du filtre de tuyau de remplissage du réservoir ..	35
Internal Tank Status (Statut de réservoir interne) ..	10	Nettoyage du filtre du tuyau de remplissage du réservoir .....	36
Buzzer Settings (Réglages du vibreur sonore) .....	10	<b>Fonction de service de climatisation</b> .....	37
Leak Check (Contrôle d'étanchéité) .....	10	Pièces de rechange .....	37
Replace Service Hoses (Remplacer les tuyaux de service) .....	10	Glossaire .....	37
System Information (Informations système) .....	11	<b>Messages de dépannage</b> .....	38
Boost Refrigerant (Ajouter du réfrigérant) .....	11	<b>Procédures de dépannage</b> .....	42
Temperature Sensor Snapshot (Capture d'écran du capteur de température) .....	11	Fonctions de configuration, remplissage du réservoir et remplissage du réservoir en arrière-plan .....	42
Default Vacuum Time (Durée de vide par défaut) ..	11	Message affiché : Purity Test Failed (Échec test de pureté) .....	42
Adjust Background Fill Target (Régler la valeur de remplissage cible en arrière-plan) .....	11	Fonction de récupération ou fonction automatique ..	43
Exigences et conditions de fonctionnement .....	11	Message affiché : Purity Test Failed (Échec test de pureté) .....	43
FCC ID .....	11	<b>Entreposage et transport de l'équipement</b> .....	44
Déclaration d'exposition des appareils mobiles aux fréquences radio .....	11	Entreposage .....	44
Déclaration FCC Partie 15 .....	11	Transport de l'équipement .....	44
<b>Configuration initiale</b> .....	12	<b>Mise au rebut de l'équipement</b> .....	45
Déballage de la trousse des accessoires .....	12	Mise au rebut des matériaux recyclés .....	45
Mise sous tension de la machine .....	12	Mise au rebut de la machine .....	45
Sélection de la langue .....	13	Mise au rebut des batteries .....	45
Connexion à un réseau sans fil (Wi-Fi) .....	13		
Configuration d'une imprimante sans fil .....	13		
Modification de l'en-tête à l'impression .....	13		
Choix des unités .....	14		
Réglage de la date et heure .....	14		
Contrat de licence .....	14		
Vide pour le service .....	14		
Réglage de la valeur de remplissage cible en arrière-plan ..	14		
Remplissage du réservoir .....	15		
Enregistrement de l'unité .....	16		


# Consignes de sécurité

## Explication des termes d'avertissement de sécurité utilisés dans le présent manuel

Les termes d'avertissement de sécurité désignent le degré ou le niveau de gravité du danger.

 **DANGER** : signale un danger imminent qui, s'il n'est pas évité, entraînera des blessures graves, voire mortelles.

 **AVERTISSEMENT** : signale une situation potentiellement dangereuse qui, si elle n'est pas évitée, peut entraîner des blessures graves voire mortelles.

 **MISE EN GARDE** : signale une situation potentiellement dangereuse qui, si elle n'est pas évitée, peut entraîner des blessures légères ou modérées.

**MISE EN GARDE** : sans le symbole d'alerte de sécurité, indique une situation potentiellement dangereuse qui, si elle n'est pas évitée, peut entraîner des dommages matériels.

Ces messages de sécurité couvrent des situations connues par Robinair. Robinair ne peut pas anticiper, évaluer, ni expliquer tous les risques possibles. L'utilisateur doit s'assurer que les conditions et les procédures ne mettent pas en péril sa sécurité.

## Explication des décalcomanies de sécurité utilisées sur la machine

	Lire attentivement les consignes.
	Ne pas utiliser à l'air libre en cas de pluie ou d'humidité élevée.
	Porter des gants.
	Porter des lunettes de protection.
	Tension alternative.
	Protection de mise à la terre.
	Risque de choc électrique.

# Consignes de sécurité



**AVERTISSEMENT** : pour éviter les blessures corporelles,



**SEUL LE PERSONNEL QUALIFIÉ DOIT ÊTRE AUTORISÉ À UTILISER LA MACHINE.** Avant d'utiliser la machine, il est impératif de lire et de suivre les instructions et les avertissements contenus dans le présent manuel. L'utilisateur doit connaître les systèmes de climatisation et de réfrigération, les réfrigérants et les dangers représentés par les éléments sous pression. Si l'utilisateur ne peut pas lire le présent manuel, les consignes d'utilisation et les mesures de sécurité doivent lui être lues et expliquées dans sa langue maternelle.



**UTILISEZ LA MACHINE TEL QU'INDIQUÉ DANS LE PRÉSENT MANUEL.** L'utilisation de la machine à d'autres fins que celles pour lesquelles elle a été conçue compromettra son fonctionnement et annulera les protections fournies.



**LE RÉSERVOIR SOUS PRESSION CONTIENT DU LIQUIDE RÉFRIGÉRANT.** Ne remplissez pas excessivement la cuve de stockage interne. Un remplissage excessif peut provoquer une explosion entraînant des blessures graves voire mortelles. Ne récupérez pas les réfrigérants dans des conteneurs non réutilisables ; utilisez uniquement des conteneurs réutilisables approuvés munis de clapets de décharge de pression.



**LES TUYAUX PEUVENT CONTENIR DU LIQUIDE RÉFRIGÉRANT SOUS PRESSION.** Le contact avec le réfrigérant peut causer des blessures, entraîner la cécité et des engelures. Portez un équipement de protection, y compris des lunettes et des gants de sécurité. Usez d'extrême prudence lorsque vous débranchez les tuyaux. Veillez à ce que cette phase soit terminée avant de déconnecter la machine pour prévenir la libération de réfrigérant dans l'atmosphère.



**ÉVITEZ D'INHALER LES VAPEURS DE RÉFRIGÉRANT ET DE LUBRIFIANT DU SYSTÈME DE CLIMATISATION.** Une telle exposition peut irriter les yeux, le nez et la gorge. Pour purger le réfrigérant du système de climatisation, n'utilisez que l'équipement certifié pour le type de réfrigérant à vidanger. Utilisez la machine dans des endroits pourvus d'une ventilation mécanique offrant au moins quatre renouvellements d'air par heure. En cas de décharge accidentelle, aérez l'espace de travail avant de reprendre l'activité.

**NE DISPERSEZ PAS LE RÉFRIGÉRANT DANS L'ENVIRONNEMENT.** Empêchez toute présence potentielle de réfrigérant dans l'environnement de travail.



**POUR RÉDUIRE LE RISQUE D'INCENDIE,** n'utilisez pas la machine à proximité de conteneurs d'essence ouverts ou renversés, ou d'autres substances inflammables.

**POUR RÉDUIRE LE RISQUE D'INCENDIE,** n'utilisez pas de rallonge électrique. Une rallonge peut surchauffer et provoquer un incendie. Si une rallonge doit être utilisée, utilisez-en une qui est la plus courte possible avec un cordon de grosseur minimale de 14 AWG (calibre américain des fils).

**POUR RÉDUIRE LE RISQUE D'INCENDIE,** n'utilisez pas la machine à proximité de flammes et de surfaces chaudes. Le réfrigérant peut se décomposer lorsqu'il est exposé à des températures élevées et libérer dans l'environnement des substances toxiques qui peuvent être nocives pour l'utilisateur.

**POUR RÉDUIRE LE RISQUE D'INCENDIE,** n'utilisez pas la machine dans des environnements contenant des vapeurs ou des gaz explosifs.

**POUR RÉDUIRE LE RISQUE D'INCENDIE,** n'utilisez pas cette machine dans des zones de catégorie ATEX. Protégez la machine des conditions qui pourraient provoquer une défaillance électrique ou d'autres risques liés à l'interaction avec l'atmosphère ambiante.



**MISE EN GARDE — N'EFFECTUEZ PAS D'ESSAIS DE PRESSION OU D'ÉTANCHÉITÉ DE LA MACHINE OU DU SYSTÈME DE CLIMATISATION DU VÉHICULE AVEC DE L'AIR COMPRIMÉ.** Les mélanges d'air et de réfrigérant R1234yf peuvent être combustibles à des pressions élevées. Ces mélanges peuvent s'avérer dangereux et provoquer une explosion ou un incendie pouvant causer des blessures et/ou des dommages matériels.



**UNE TENSION ÉLEVÉE À L'INTÉRIEUR DE LA MACHINE PRÉSENTE UN RISQUE DE CHOC ÉLECTRIQUE.** Une exposition à ce choc peut causer des blessures. Débranchez l'alimentation avant de réparer la machine.

**NE LAISSEZ JAMAIS LA MACHINE SOUS TENSION SI VOUS NE PRÉVOYEZ PAS DE L'UTILISER IMMÉDIATEMENT.** Déconnectez l'alimentation électrique avant une longue période d'inactivité ou avant un entretien interne.

**NE MODIFIEZ PAS LE CLAPET DE DÉCHARGE DE PRESSION ET NE CHANGEZ PAS LES RÉGLAGES DU SYSTÈME DE COMMANDE.** L'utilisation de la machine à d'autres fins que celles pour lesquelles elle a été conçue compromettra son fonctionnement et annulera les protections fournies.

**Vous pouvez obtenir des renseignements supplémentaires en matière de santé et de sécurité auprès des fabricants de réfrigérants et de lubrifiants.**

# Consignes de sécurité

---

MISE EN GARDE : pour éviter tout dommage de l'équipement,

---



**POUR ÉVITER TOUTE CONTAMINATION CROISÉE, UTILISEZ CETTE MACHINE UNIQUEMENT AVEC DU RÉFRIGÉRANT R1234YF.** La machine est équipée de connecteurs spéciaux permettant de récupérer, recycler et recharger uniquement le réfrigérant R1234yf. N'essayez pas d'adapter la machine pour un autre réfrigérant. Ne mélangez pas différents types de réfrigérants dans un système ou dans le même conteneur, le mélange de réfrigérants peut causer de graves dommages à la machine et au système de climatisation du véhicule.

**N'UTILISEZ PAS CETTE MACHINE SOUS LA LUMIÈRE DIRECTE DU SOLEIL.** Éloignez la machine de toute source de chaleur, comme la lumière directe du soleil, susceptible d'entraîner des surchauffes. L'utilisation de cette machine dans des conditions environnementales normales (10 à 50°C) maintient les pressions dans des limites raisonnables.



**N'UTILISEZ PAS CETTE MACHINE À L'EXTÉRIEUR EN CAS DE PLUIE OU D'HUMIDITÉ ÉLEVÉE.** Protégez la machine des conditions qui pourraient provoquer une défaillance électrique ou d'autres risques liés à l'interaction avec l'atmosphère ambiante.

**N'UTILISEZ PAS CETTE MACHINE DANS DES ZONES OÙ IL EXISTE UN RISQUE D'EXPLOSION.**

**PLACEZ LA MACHINE SUR UNE SURFACE PLANE ET SOUS UN ÉCLAIRAGE SUFFISANT. CALEZ SES ROUES AVANT, ET NE LA SOUMETTEZ PAS À DES VIBRATIONS.**

**AFIN D'ÉVITER LES INCOMPATIBILITÉS CHIMIQUES AVEC LES COMPOSANTS INTERNES DE LA MACHINE, UTILISEZ UNIQUEMENT LES HUILES APPROUVÉES PAR LE FABRICANT DU VÉHICULE.** Les problèmes résultant de l'utilisation d'huiles non approuvées annuleront la garantie.

**Vous pouvez obtenir des renseignements supplémentaires en matière de santé et de sécurité auprès des fabricants de réfrigérants et de lubrifiants.**

## Dispositifs de protection

La machine est munie des dispositifs de protection suivants :

- Clapets de surpression.
- Un pressostat maximum arrête le compresseur lorsqu'une pression excessive est détectée.



**AVERTISSEMENT : la modification de ces dispositifs de protection peut entraîner des blessures graves.**

---

## Test du réservoir de réfrigérant

Les rapports officiels et les tests récurrents nécessaires pour les instruments sous pression sont régis par les lois et/ou les réglementations nationales en fonction du pays d'utilisation du réservoir de réfrigérant. Le chef d'exploitation est responsable du respect des lois, réglementations et règles techniques. En utilisation normale, il n'est pas nécessaire d'effectuer l'entretien des réservoirs de réfrigérant. Pour plus d'informations, voir la section Entretien du présent manuel.

## Exigence de la norme J2843 concernant le lubrifiant

Le système MAC sera rempli uniquement avec le nouveau lubrifiant spécifié par le fabricant du système. Le lubrifiant purgé du système et/ou de l'équipement sera évacué conformément aux procédures et réglementations nationales et locales applicables.

## Mise en garde — Modifications

---

**MISE EN GARDE : Tous changements ou toutes modifications non approuvés expressément par Bosch Automotive Service Solutions peuvent annuler le droit de l'utilisateur à utiliser l'équipement.**

---

Cette machine est utilisée pour les véhicules équipés de réfrigérant R1234yf et est conçue pour être compatible avec les équipements de service existants et les procédures de service standard. Cette machine est un système simple passe (ce qui signifie que le réfrigérant traverse une seule fois un filtre) conforme aux spécifications relatives au réfrigérant recyclé. Suivez les procédures de service recommandées pour le récipient de R1234yf.

Afin de respecter les prescriptions de la norme SAE J2843 sur une machine conçue aussi bien pour des compresseurs à courroie traditionnels que pour des compresseurs électriques haute pression habituels sur les véhicules hybrides, la fonction de remplissage d'huile interne a été supprimée et les fonctions de rinçage des tuyaux de service et de rinçage du système de climatisation du véhicule ont été ajoutées.

L'unité comprend une pompe à vide poussé de 1,5 cfm (42 l/m) pour garantir une évacuation totale rapide. Le compresseur amène le système de climatisation à 0 psig, puis fonctionne en série avec la pompe à vide pour permettre une récupération très efficace et une recharge immédiate. Si le service ne nécessite pas l'ouverture du système, il est inutile d'appliquer un vide supplémentaire. Si le service nécessite l'ouverture du système, utilisez le cycle de vide de l'unité pour évacuer l'air et l'humidité du système de climatisation. (Il est recommandé d'appliquer un vide minimum de 10 minutes ou d'observer les spécifications du fabricant du véhicule.)

**MISE EN GARDE :** Les systèmes R1234yf exigent des huiles spéciales. Pour éviter tout dommage de l'équipement, voir le manuel de service du fabricant du système de climatisation pour connaître les spécifications relatives à l'huile.

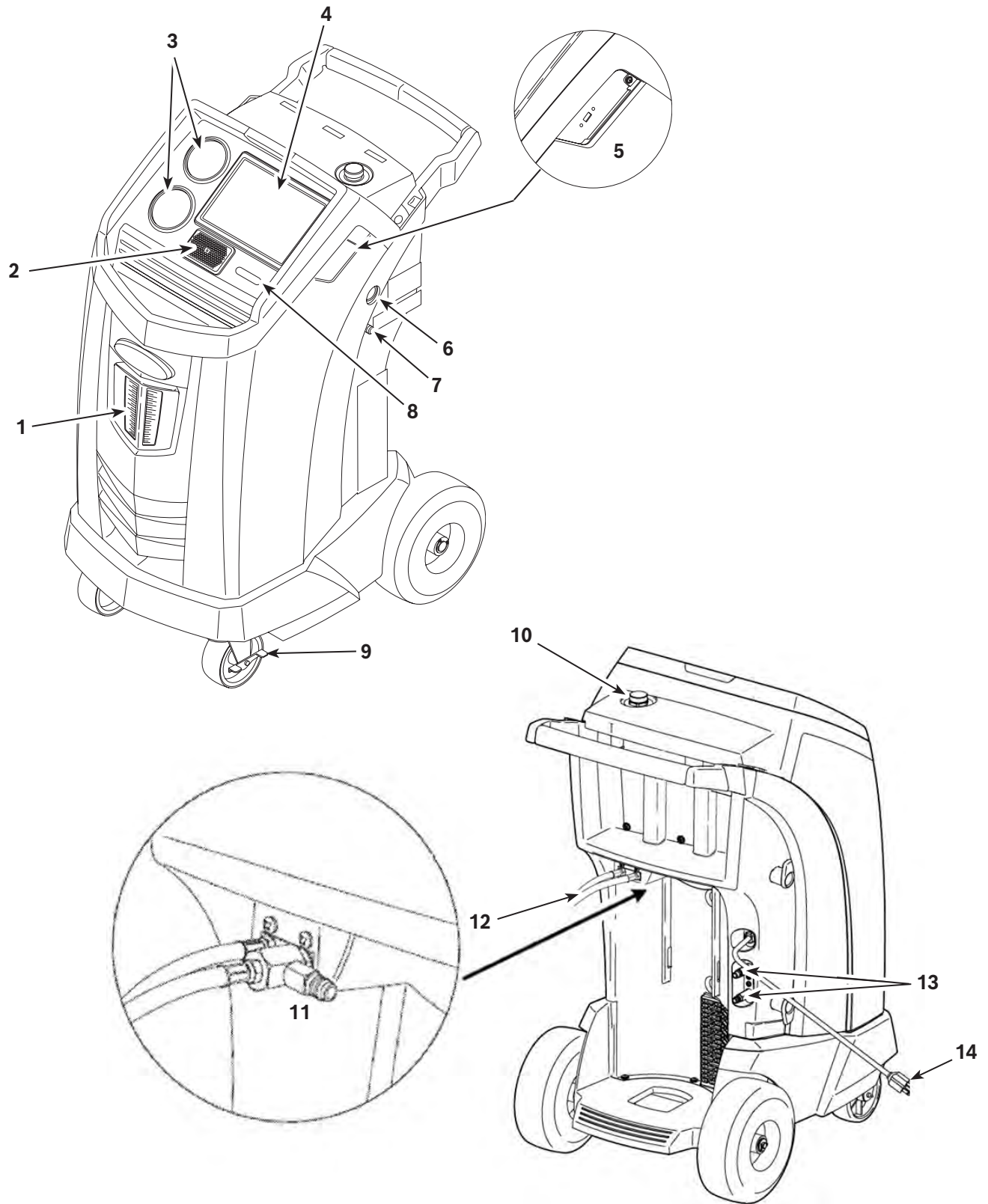


## Spécifications techniques

<b>Dimensions</b> .....	107 cm x 56 cm x 80 cm
<b>Écran</b> .....	Écran tactile LCD 10.1"
<b>Filtre</b> .....	330 lb (150 kg)
<b>Humidité</b> .....	50-122°F (10-50°C), 86% HR sans condensation
<b>Manomètre</b> .....	∅ 3,9" (100 mm)
<b>Pression maximale</b> .....	450 PSI (31 bars)
<b>Bruit</b> .....	<70 dB(A)
<b>Tension nominale</b>	
AC1234-9 .....	115V, 60 Hz
<b>Capacité de la bouteille d'huile</b> .....	12 oz (355 ml)
<b>Température de fonctionnement</b> .....	50 à 122°F (10 à 50°C)
<b>Consommation d'énergie</b> .....	1380 W
<b>Déplacement d'air libre de la pompe à vide</b>	
.....	1,5 CFM (42 l/m) @ 60 Hz
<b>Tuyaux de service</b> .....	2,74 m / SAE J2886
<b>Capacité du réservoir</b> .....	20,94 lb (9,5 kg)
<b>Poids</b> .....	176 lb (82 kg)

# Introduction

## Fonction





N° article	Description
1	Bouteille de vidange d'huile
2	Haut-parleur
3	Manomètres côté basse pression (bleue) et côté haute pression (rouge)
4	Écran tactile LCD
5	Connexions USB (vue détaillée sans capot de protection)
6	Verre regard du réservoir d'huile de la pompe à vide
7	Raccord de vidange d'huile de la pompe à vide
8	Interrupteur d'alimentation
9	Cale de roue
10	Orifice et bouchon de remplissage d'huile de la pompe à vide
11	Orifice de récupération du réfrigérant contaminé
12	Tuyaux de service
13	Orifices de stockage des tuyaux de service
14	Cordon d'alimentation

# Introduction

---

## Signification des icônes



### ICÔNE AUTOMATIQUE

L'appui sur cette icône permet d'accéder au processus automatique de récupération, de vide et de charge du réfrigérant.



### ICÔNE RÉCUPÉRATION

L'appui sur cette icône permet d'accéder au processus de récupération du réfrigérant.



### ICÔNE VIDE

L'appui sur cette icône permet d'accéder au processus de mise sous vide du système.



### ICÔNE CHARGE

L'appui sur cette icône permet d'accéder au processus de charge du réfrigérant.



### ICÔNE INSPECTION DU VÉHICULE

L'appui sur cette icône permet de lancer le processus de diagnostic du système.



### ICÔNE AIDE

L'appui sur cette icône permet d'obtenir de l'aide et des renseignements au sujet de l'écran affiché et/ou de la fonction en cours d'affichage/d'exécution.



### ICÔNE RETOUR

L'appui sur cette icône permet de revenir à l'écran précédent.



### ICÔNE ACCUEIL

L'appui sur cette icône permet de revenir à l'écran d'accueil.



### ICÔNE APPLICATIONS RÉCENTES

L'appui sur cette icône permet d'ouvrir les images miniatures des dernières applications utilisées.



### ICÔNE VOLUME

L'appui sur cette icône permet d'augmenter ou diminuer le volume audio.



### ICÔNE BLUETOOTH

L'appui sur cette icône permet de configurer les paramètres Bluetooth et de connecter les appareils externes.



### ICÔNE WIFI

L'appui sur cette icône permet de connecter la machine à un réseau sans fil. Cette icône indique également l'état de connexion et l'intensité du signal.



### ICÔNE BATTERIE

Cette icône indique toujours que l'unité est en charge. Il s'agit d'une fonction normale, l'unité ne comporte aucune batterie interne.

## Fonction du Main Menu (Menu principal)

### Info and Status (Informations et état)

Affiche la capacité de réfrigérant du réservoir pour la récupération et la charge. Affiche également la quantité d'huile du système dans chaque bouteille de stockage. La capacité de récupération et la capacité s'affichent aussi dans ce menu.

### Settings (Paramètres)

#### **General Settings (Paramètres généraux)**

Affiche le nom du modèle et le numéro de série et propose les options suivantes :

- **Unit of Measure (Unité de mesure)**  
Permet de choisir entre les unités anglo-saxonnes et les unités métriques.
- **Date (Date)**  
Affiche la date actuelle.
- **Time (Heure)**  
Affiche l'heure actuelle. Vous pouvez modifier l'heure en sélectionnant le fuseau horaire approprié.

#### **Software Information (Informations sur le logiciel)**

Affiche la version actuelle du logiciel et la date de publication. Envoie une notification et propose une option pour installer une version actualisée du logiciel, si elle est disponible. Affiche des informations supplémentaires sur le logiciel, ainsi que des liens vers les notes de mise à jour et les informations sur la licence. Permet également de visualiser les détails sur le logiciel libre.

#### **Edit Print Header (Modifier l'en-tête à l'impression)**

Programme les renseignements qui figureront sur l'impression, notamment : nom du magasin, adresse, site Web, e-mail et numéro de téléphone.

#### **Printer Settings (Paramètres de l'imprimante)**

L'impression machine utilise Google Cloud Print. Pour plus d'informations à ce sujet, voir <https://www.google.com/cloudprint/learn/>.

Affiche l'imprimante utilisée actuellement par la machine, ainsi qu'un menu déroulant affichant les imprimantes disponibles.

#### **Select Language (Sélectionner la langue)**

Permet de sélectionner la langue des messages à l'écran. L'anglais est la langue par défaut.

#### **Owner's Manual (Guide d'utilisation)**

Fournit un lien pour visualiser le PDF de la dernière version du guide d'utilisation dans le navigateur.

#### **Video Library (Bibliothèque des vidéos)**

Fournit les liens vers les tutoriels vidéos et les informations sur les produits.

#### **Contact Robinair (Contacter Robinair)**

Fournit les coordonnées téléphoniques et l'adresse e-mail de l'assistance clientèle, technique et internationale Robinair.

#### **Registration (Enregistrement)**

Si vous ne vous enregistrez pas et que vous n'activez pas la machine dans les 30 jours suivant le démarrage initial, la machine se verrouillera et ne fonctionnera plus. Sélectionnez cette option du menu Settings (Paramètres) et suivez les invites avant l'expiration de la période d'essai. Permet de mettre à jour l'enregistrement.

#### **Subscriptions (Abonnements)**

Affiche le statut de l'abonnement dans une base de données de diagnostic et fournit un lien pour modifier le statut de l'abonnement. Cette page affiche également le statut de l'abonnement ou des abonnements dans les téléchargements de données de service.

# Introduction

---

## Fonctions du Setup Menu (Menu Configuration)

Pour accéder aux fonctions suivantes, sélectionnez **SETUP MENU (MENU CONFIGURATION)**.

### Calibration Check (Contrôle de l'étalonnage)

Sert à vérifier l'étalonnage de la balance interne. Voir la rubrique Contrôle de l'étalonnage dans la section Entretien de ce manuel d'utilisation.

### Filter Maintenance (Entretien du filtre)

Le filtre élimine l'acide, les particules et l'humidité du réfrigérant. Il faut remplacer le filtre après filtrage de 330 lb (150 kg) de réfrigérant. Cette option de menu affiche la capacité restante du filtre jusqu'à ce que la machine se bloque et arrête de fonctionner. Voir la rubrique Entretien du filtre dans la section Entretien.

### Flush Hoses (Rinçage des tuyaux)

Rince l'huile résiduelle des tuyaux de service de la machine pour préparer l'entretien du véhicule suivant.

### Production Menu (Menu Production)

Utilisation réservée uniquement au service Production de Robinair.

### Pump Maintenance (Entretien de la pompe)

Affiche le temps restant jusqu'au prochain changement de l'huile de la pompe à vide. Pour un rendement maximum de la pompe à vide, vidangez l'huile de la pompe à chaque remplacement du filtre. Voir la rubrique Vidange d'huile de la pompe à vide dans la section Entretien.

### Refrigerant Management (Gestion du réfrigérant)

Affiche la quantité de réfrigérant récupérée, chargée et remplie (pour la durée de vie de la machine), et filtrée depuis le dernier changement du filtre.

### System Flush (Rinçage du système)

Permet de vidanger l'huile en pressurant le liquide réfrigérant dans un système de climatisation ou dans les composants d'un système de climatisation. Après le rinçage, le réfrigérant est récupéré par la machine et filtré par le circuit de recyclage.

### Service Menu (Menu Service)

Réservé au centre de réparation Robinair.

### Tank Fill (Remplissage du réservoir)

Sert à transférer le réfrigérant d'un réservoir source à la cuve de stockage interne. La valeur de remplissage peut être réglée à la hausse ou à la baisse pour répondre aux besoins de l'utilisateur. Voir la rubrique Remplissage du réservoir dans la section Entretien.

### Hose Equalize (Égalisation des tuyaux)

Sert à récupérer le réfrigérant des tuyaux de service pour le transférer dans le système de climatisation du véhicule. Cette option est utile après un diagnostic qui ne nécessite pas la récupération du système de climatisation dans la machine RRR. Il sera demandé à l'utilisateur de raccorder le tuyau de service, côté basse pression, à l'orifice approprié et de démarrer le système de climatisation du véhicule à la puissance maximale.

### Internal Tank Status (Statut de réservoir interne)

Affiche la quantité de réfrigérant dans le réservoir, la température du réservoir, la pression du réservoir et la pression de vapeur saturée calculée sur la base de la température.

### Buzzer Settings (Réglages du vibreur sonore)

Configure les réglages du vibreur sonore d'alerte. Le vibreur sonore peut être activé ou désactivé.

### Leak Check (Contrôle d'étanchéité)

Procède à un contrôle d'étanchéité interne de l'unité. Une petite quantité de réfrigérant est utilisée pour charger l'unité, en surveillant la baisse de pression. L'utilisateur peut vérifier l'étanchéité à l'aide d'un détecteur de fuites externe (non fourni). Le réfrigérant est récupéré du système et un vide est appliqué. De même, le système surveille toute modification de pression et signale à l'utilisateur toute fuite détectée éventuelle.

### Replace Service Hoses (Remplacer les tuyaux de service)

Évacue le réfrigérant restant des tuyaux de service avant leur remplacement.

## **System Information (Informations système)**

Affiche la version du logiciel de la machine.

## **Boost Refrigerant (Ajouter du réfrigérant)**

Permet d'ajouter progressivement du réfrigérant à un véhicule.

## **Temperature Sensor Snapshot (Capture d'écran du capteur de température)**

Permet de sélectionner si la température interne du véhicule doit être enregistrée avant et après le service. Une sonde de température sans fil doit être achetée séparément.

## **Default Vacuum Time (Durée de vide par défaut)**

Permet de spécifier la durée par défaut pendant laquelle un système du véhicule est maintenu sous vide pendant un test d'étanchéité.

## **Adjust Background Fill Target (Régler la valeur de remplissage cible en arrière-plan)**

Permet de régler le niveau de réservoir de réfrigérant souhaité. Un réservoir de réfrigérant externe doit être raccordé pour disposer de cette fonction.

## **Exigences et conditions de fonctionnement**

La conception de la carte du module WiFi/BT est conforme aux directives de la Federal Communications Commission (FCC) américaine et respecte les niveaux de sécurité de l'exposition aux fréquences radio (RF) pour les appareils mobiles.

## **FCC ID**

Ce produit dispose d'une étiquette FCC ID : 2AHLA-SP01500243

## **Déclaration d'exposition des appareils mobiles aux fréquences radio**

Exposition RF – Cet appareil ne peut être utilisé que dans une application mobile. Maintenez une distance de séparation minimale de 20 cm entre la carte du module WiFi/BT et votre corps.

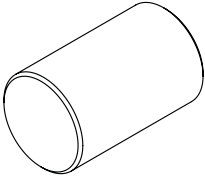

## **Déclaration FCC Partie 15**

Cet équipement a été testé et jugé conforme aux limites applicables à un appareil numérique de Classe A, conformément à la partie 15 du règlement FCC. Ces limites sont conçues pour fournir une protection raisonnable contre les interférences nuisibles lorsque l'équipement est installé dans un environnement commercial. Cet équipement génère et peut émettre des fréquences radio et, s'il n'est pas installé et utilisé conformément aux instructions, peut créer des interférences nuisibles perturbant les communications radio. L'utilisation de cet équipement dans une zone résidentielle est susceptible de provoquer des interférences nuisibles, auquel cas l'utilisateur devra remédier à ces interférences à ses propres frais.

# Configuration initiale

## Déballage de la trousse des accessoires

Sortez la trousse des accessoires de la boîte et enlevez l'emballage en plastique.

Poids de contrôle de l'étalonnage 1,18 lb (533 g)	
Adaptateur du tuyau de remplissage du réservoir	
Pochette contenant le manuel d'utilisation, les fiches techniques santé-sécurité, les renseignements EPA et MACS, et une liste des centres de service.	



**AVERTISSEMENT** : afin d'éviter toute blessure corporelle lors de la manipulation du réfrigérant, veuillez lire et suivre les consignes et avertissements du présent manuel, et porter des équipements de protection, comme des lunettes et des gants.

### IMPORTANT :

- Cette procédure peut prendre plusieurs heures. Exécutez cette procédure de configuration initiale **AVANT** d'utiliser la machine pour son premier service de climatisation sur un véhicule.
- Au cours de la configuration initiale, la machine vous guide à travers les étapes suivantes. Pour modifier ces paramètres après la configuration initiale, vous devrez passer par le menu Unit Setup (Configuration de l'unité).



**MISE EN GARDE** : La machine est programmée pour exécuter la procédure de configuration décrite ici. Pour éviter toute blessure corporelle, n'utilisez **PAS** la machine si l'orifice de remplissage d'huile n'est pas installé, étant donné que la pompe à vide est pressurisée pendant le fonctionnement normal.

## Mise sous tension de la machine

1. Déroulez le cordon d'alimentation de la poignée et branchez-le dans une prise de terre de tension adéquate.

*Remarque : Pour garantir les meilleures performances, n'utilisez pas de rallonge avec l'unité.*

2. Positionnez la machine de manière à ce que la prise et l'interrupteur d'alimentation soient facilement accessibles pour l'utilisateur. Vérifiez que les ailettes de ventilateur à l'arrière de la machine ne sont pas obstruées.
3. Calez les roues avant.
4. Allumez l'interrupteur d'alimentation du panneau de commande pour mettre la machine sous tension.

La machine démarre en mode de configuration initiale.

## Sélection de la langue

L'utilisateur sélectionne la langue des messages affichés à l'écran.

## Connexion à un réseau sans fil (Wi-Fi)

Pour pouvoir exploiter à fond les fonctions de cette machine, il faut une connexion sans fil. Les instructions concernant le raccordement de la machine ACS à un réseau sans fil sont fournies ci-dessous :

1. Branchez la machine et mettez-la sous tension.
2. Dès que la machine est démarrée, faites glisser le curseur du haut de l'écran vers le bas et ouvrez l'application Settings (Paramètres).
3. Sélectionnez **NETWORK AND INTERNET (RÉSEAU ET INTERNET)** dans l'application Settings (Paramètres), puis sélectionnez **WI-FI**. Vérifiez que le Wi-Fi est activé avant d'essayer de vous connecter.
4. Sélectionnez un réseau sans fil dans la liste des réseaux disponibles et saisissez le mot de passe réseau éventuel. Le réseau est maintenant enregistré et s'active automatiquement dès que la machine est à portée du réseau. L'état de la connexion s'affiche à côté du nom du réseau.

## Configuration d'une imprimante sans fil

Une imprimante sans fil doit impérativement être raccordée à la machine pour pouvoir imprimer les informations et les rapports. Cette machine utilise Google Cloud Print. Pour plus d'informations à ce sujet, voir <https://www.google.com/cloudprint/learn/>. Les instructions générales sont fournies ci-dessous. Pour plus d'informations sur la connexion d'une imprimante sans fil, voir également les instructions du fabricant de l'imprimante.

1. Vérifiez que l'imprimante et la machine sont toutes deux sous tension et connectées au même réseau sans fil. Pour plus d'informations sur la connexion d'une imprimante à un réseau sans fil, voir les instructions du fabricant de l'imprimante. Pour plus d'informations sur la connexion de la machine, voir la section Connexion à un réseau sans fil dans ce manuel.
2. Dès que la machine est démarrée, faites glisser le curseur du haut de l'écran vers le bas et ouvrez l'application Settings (Paramètres).
3. Sélectionnez **CONNECTED DEVICES (APPAREILS CONNECTÉS)**, puis **PRINTING (IMPRESSION)**.
4. Pour ajouter une imprimante, sélectionnez **MORE (PLUS)**, puis sélectionnez l'imprimante.

## Modification de l'en-tête à l'impression

Cette machine peut conserver des renseignements sur la récupération, le vide, la charge et le rinçage des véhicules qui ont récemment subi une révision. Les informations chargées dans **EDIT PRINT HEADER (MODIFIER L'EN-TÊTE À L'IMPRESSION)** s'afficheront sur chaque impression.

# Configuration initiale

Suivez les invites à l'écran et saisissez les informations suivantes :

- Nom du magasin
- Adresse
- Site Internet
- E-mail
- Numéro de téléphone

## Choix des unités

L'utilisateur définit les unités de mesure affichées. Si les unités anglo-saxonnes sont sélectionnées, les poids s'afficheront en unités métriques (conformément à la norme SAE J2843) ; les pressions et températures s'afficheront en unités anglo-saxonnes.

## Réglage de la date et heure

Suivez les invites à l'écran pour régler la date et l'heure. L'utilisateur peut modifier le fuseau horaire et le format de l'heure, ainsi que sélectionner la mise à jour automatique de la date et de l'heure par le réseau.

## Contrat de licence

Prenez connaissance du contrat de licence et suivez les invites à l'écran pour continuer.

## Vide pour le service

À cette étape, la machine effectue le nettoyage de sa plomberie interne avant de procéder à l'installation.

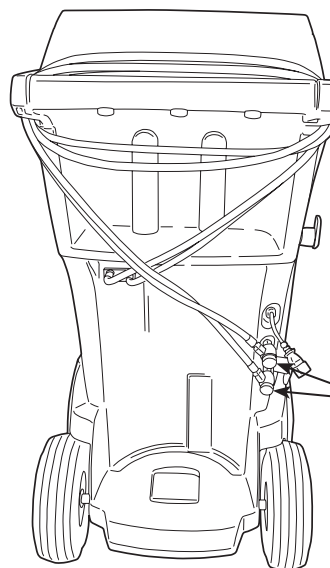
1. Vérifiez le verre regard du niveau d'huile de la pompe à vide et vérifiez que le niveau d'huile atteint le centre du verre regard.
2. Quand vous y êtes invité, connectez les tuyaux de service de la machine à leurs orifices de stockage, comme illustré à la Figure 1 et tournez les vannes de couplage dans le sens horaire pour ouvrir les vannes.
3. La machine lance un cycle de vide de 5 minutes et passe automatiquement au processus de configuration suivant une fois le cycle terminé.

## Réglage de la valeur de remplissage cible en arrière-plan

Cette machine dispose d'une fonction de remplissage du réservoir en arrière-plan. Une cuve de stockage de réfrigérant externe peut être raccordée par circuit fluide à la machine (à l'aide du tuyau noir de remplissage du réservoir) pour une mise à niveau continue de la cuve de stockage interne. En puisant le réfrigérant dans la cuve de stockage externe raccordée, la machine charge périodiquement le réservoir de la cuve de stockage interne à la valeur cible de remplissage souhaitée. Saisissez la valeur cible de remplissage souhaitée (la quantité par défaut est de 4,54 kg).



**AVERTISSEMENT** : afin d'éviter toute blessure corporelle lors de la manipulation du réfrigérant, veuillez lire et suivre les consignes et avertissements du présent manuel, et porter des équipements de protection, comme des lunettes et des gants.



Tuyaux de service connectés aux orifices de stockage

Figure 1



## Remplissage du réservoir

Cette procédure transfère le réfrigérant du réservoir source à la cuve de stockage interne de la machine. La capacité maximale de la cuve de stockage interne est de 21 lb (9,5 kg).

1. La machine affiche les champs concernant le volume de remplissage souhaité du réservoir, la capacité de charge et le volume de réfrigérant récupérable (capacité de récupération) dans la cuve de stockage interne. Saisissez le volume de remplissage souhaité du réservoir.

*Remarque : Ajoutez au moins 3,6 kg de réfrigérant pour garantir une quantité suffisante disponible pour la charge.*

2. Raccordez le tuyau de remplissage du réservoir (noir) au connecteur de liquide sur le réservoir source.
3. Ouvrez la vanne du réservoir source.
4. Positionnez le réservoir source de manière à ce que le liquide réfrigérant soit acheminé vers le raccordement.
5. Suivez les invites à l'écran. La machine vérifie que le réfrigérant présent dans le réservoir source est bien du R1234yf et qu'il n'est pas contaminé.
6. Suivez les invites à l'écran pour démarrer le processus de remplissage du réservoir. La machine commence à remplir la cuve de stockage interne. Ajoutez au moins 3,6 kg de réfrigérant pour garantir une quantité suffisante disponible pour la charge. Ce processus dure entre 15 et 20 minutes.
7. La machine s'arrête lorsque la quantité prescrite de réfrigérant a été transférée dans la cuve de stockage interne ou lorsque le réservoir source est vide. Suivez les messages à l'écran.
8. Fermez la vanne du réservoir source.
9. Suivez les invites à l'écran pour revenir au Setup Menu (Menu Configuration).

La machine est prête à fonctionner.

*Remarque :*

- *Il n'est pas nécessaire d'étalonner la balance; elle a été étalonnée en usine.*
- *Une fois le processus de remplissage du réservoir terminé, l'écran n'indique pas la même quantité que le niveau de remplissage programmé. L'écran indique la quantité de réfrigérant disponible pour la charge, cette valeur étant inférieure d'environ 1,4 lb (0,67 kg) à la quantité totale de réfrigérant contenue dans le réservoir.*

*Remarque :*

**Capacité de charge :** Quantité de réfrigérant dans la cuve de stockage interne pouvant être chargée vers un système de climatisation de véhicule.

**Capacité de récupération :** Quantité de réfrigérant supplémentaire pouvant être récupérée dans la cuve de stockage interne.

# Configuration initiale

---

## Enregistrement de l'unité

Si vous ne vous enregistrez pas et que vous n'activez pas la machine dans les 30 jours suivant le démarrage initial, la machine se verrouillera et ne fonctionnera plus.

1. Après la mise sous tension de la machine, suivez les invites pour vous enregistrer maintenant ou plus tard.
2. Si ce n'est pas déjà fait, connectez-vous à un réseau sans fil.
3. Si vous créez un nouveau compte, sélectionnez New Account (Nouveau compte), sinon sélectionnez Existing Account (Compte existant). Suivez les invites pour continuer.
4. Saisissez les informations requises pour l'enregistrement, notamment le nom et les coordonnées.
5. Saisissez le code d'activation dans le champ correct et suivez les invites pour terminer le processus d'enregistrement.

*Remarque : Saisissez le code tel que vous l'avez reçu. Vous devez utiliser des lettres majuscules.*

## Saisie des données de service

Après avoir sélectionné n'importe quelle fonction de service, les renseignements concernant le véhicule peuvent être saisis et enregistrés dans la base de données de la machine.


Les informations saisies dans cet écran sont enregistrées par date et numéro d'identification du véhicule (VIN). Les données du véhicule les plus récentes s'affichent en haut de la liste. Les informations apparaissent également sur les récapitulatifs de service imprimés.

Les utilisateurs peuvent également vérifier les spécifications du véhicule comme le type d'huile et la quantité d'huile, ainsi que le type et la quantité de réfrigérant.

# Mode d'emploi



## Récupération du réfrigérant d'un véhicule

1. Videz la bouteille de vidange d'huile avant d'entamer une récupération. Retirez la bouteille de vidange d'huile de la machine en la tirant tout droit vers le bas—évitéz tout mouvement de rotation ou de basculement. Réinstallez la bouteille de vidange d'huile. Voir Figure 2.
2. Branchez les tuyaux de service côté haute pression (rouge) et côté basse pression (bleu) au système de climatisation du véhicule.
3. Ouvrez les vannes de couplage sur les tuyaux en tournant les colliers dans le sens horaire.
4. Sélectionnez **RECOVER (RÉCUPÉRER)**  dans le **MAIN MENU (MENU PRINCIPAL)**.
5. La machine affiche le formulaire de saisie des données de service. Saisissez toutes les données applicables et suivez les invites pour continuer. La machine vérifie que le réfrigérant présent dans le réservoir est bien du R1234yf et qu'il n'est pas contaminé. Si la pureté du réfrigérant est acceptable, la machine lance le processus de récupération. Un déclic indique que le solénoïde est activé — ce bruit est normal.

La machine exécute un cycle d'auto-nettoyage pour éliminer tout reste de réfrigérant de la plomberie interne.

La récupération du système démarre et prépare un cycle de récupération intensive avec mise sous vide temporisée.

Une fois la récupération terminée, la machine effectue une vidange d'huile, qui peut prendre jusqu'à 90 secondes.

6. Dès que la vidange d'huile est terminée, un récapitulatif s'affiche et indique la quantité totale de réfrigérant récupérée. L'utilisateur est invité à vérifier la bouteille de vidange d'huile et noter la quantité d'huile vidangée. Les informations de récupération et les diagnostics avant récupération peuvent être imprimées en sélectionnant Print (Imprimer).

*Remarque : Le poids de récupération affiché peut varier selon les conditions ambiantes et ne doit pas être utilisé comme indicateur de précision.*

*Remarque : La quantité d'huile retirée du système de climatisation représente la quantité d'huile neuve à charger dans le système de climatisation après l'évacuation.*

*Le système MAC peut être rempli uniquement avec le nouveau lubrifiant spécifié par le fabricant du système. Le lubrifiant purgé du système et/ou de l'équipement sera évacué conformément aux procédures et réglementations nationales et locales applicables.*



**AVERTISSEMENT** : afin d'éviter toute blessure corporelle lors de la manipulation du réfrigérant, veuillez lire et suivre les consignes et avertissements du présent manuel, et porter des équipements de protection, comme des lunettes et des gants.

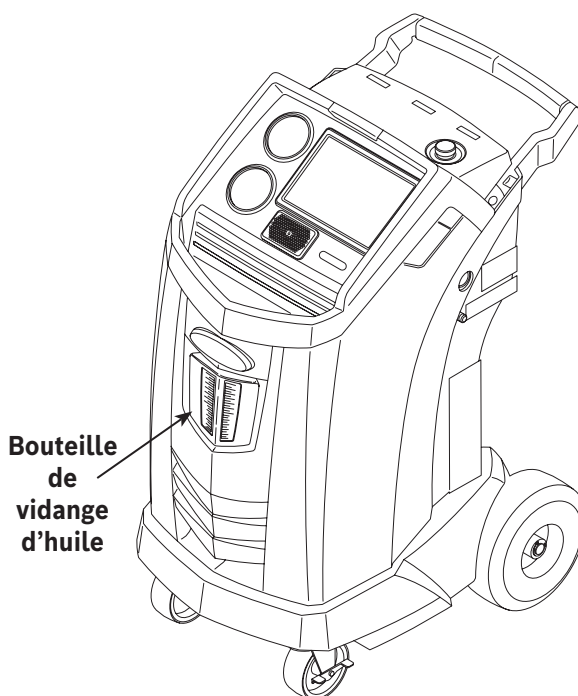



Figure 2



## Évacuation du système de climatisation du véhicule

1. Raccordez les tuyaux de service aux orifices de service du véhicule.
2. Ouvrez les vannes de couplage des tuyaux de service en tournant les colliers dans le sens horaire.
3. Sélectionnez **VACUUM (VIDE)**  dans le **MAIN MENU (MENU PRINCIPAL)**. Si aucun véhicule n'a encore été saisi, introduisez les informations de service du véhicule et suivez les invites pour continuer.
4. Sélectionnez Vacuum Leak Check (Contrôle d'étanchéité sous vide) pour lancer automatiquement une vérification des fuites sous pression pendant 5 minutes après la mise sous vide.
5. Saisissez la durée de vide souhaitée et suivez les invites pour continuer.

*Remarque : Le processus de mise sous vide s'arrête si la pression dépasse 5 PSI (0,35 bar). Récupérez le réfrigérant avant de continuer.*

La machine applique un vide sur le système de climatisation pendant la période de temps programmée.

Sélectionnez Print (Imprimer) pour imprimer les informations sur le vide.



**AVERTISSEMENT** : afin d'éviter toute blessure corporelle lors de la manipulation du réfrigérant, veuillez lire et suivre les consignes et avertissements du présent manuel, et porter des équipements de protection, comme des lunettes et des gants.

# Mode d'emploi

## Rinçage des tuyaux

Si le véhicule suivant à entretenir comporte un type d'huile différent de celui du véhicule précédent, il est recommandé de rincer l'huile résiduelle des tuyaux de service pour éviter toute contamination.

1. Sélectionnez **FLUSH HOSES (RINCER LES TUYAUX)** dans le **SETUP MENU (MENU CONFIGURATION)**. Suivez les invites pour brancher les tuyaux de service aux orifices de stockage et ouvrez les vannes de couplage.
2. Raccordez les tuyaux de service aux branchements des orifices de stockage de la machine comme illustré à la Figure 3.
3. Ouvrez les vannes de couplage des tuyaux de service en tournant les colliers dans le sens horaire.
4. Suivez les invites pour commencer le processus de rinçage des tuyaux, qui dure trois minutes et est suivi d'une récupération. Sélectionnez Exit (Quitter) pour revenir au **MAIN MENU (MENU PRINCIPAL)** lorsque le rinçage des tuyaux est terminé.
5. Fermez les vannes de couplage en tournant les colliers dans le sens anti-horaire.

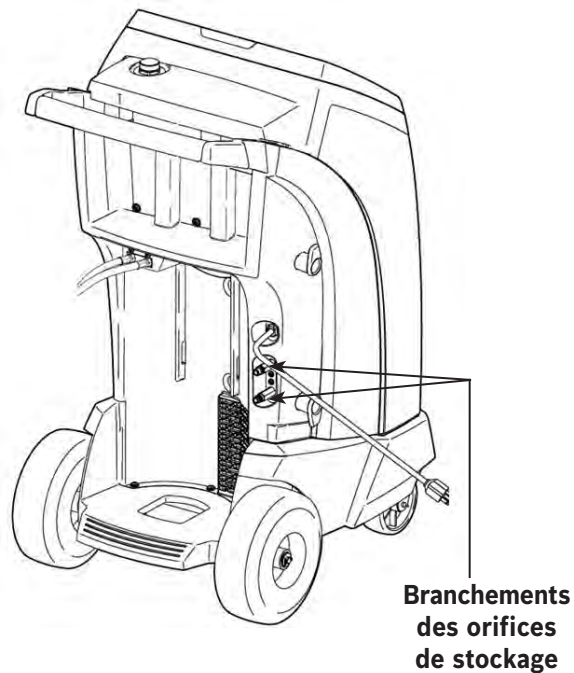


Figure 3




## Recharge du système de climatisation de véhicule

Les tests suivants sont automatiques et réalisés conformément à la norme SAE J2843 :

- Test de vide d'une durée de 5-20 minutes pour atteindre le niveau correct
- Test d'augmentation du vide de 5 minutes
- 15% de charge
- Contrôle d'étanchéité manuel à l'aide d'un détecteur de fuites conforme à SAE J2913

Remarques :

- *Le contrôle d'étanchéité J2843 est destiné à repérer une fuite importante avant la charge, ce par mesure de sécurité. Il n'a pas pour objectif de remplacer les autres pratiques établies de contrôle d'étanchéité.*
- *Pour éviter les fausses défaillances, les températures du système du véhicule et de la machine de récupération doivent se situer dans les limites de  $\pm 5^{\circ}\text{C}$ .*

1. Sélectionnez **CHARGE**  dans le **MAIN MENU (MENU PRINCIPAL)**.
2. Quand vous y êtes invité, saisissez les données de service.
3. Suivez les invites pour continuer. Si le système est équipé d'un compresseur électrique à l'huile POE, vidangez toute l'huile résiduelle des tuyaux. Suivez les invites pour brancher les tuyaux de service aux orifices de stockage et ouvrez les vannes de couplage. Voir "Figure 3" on page 20. Si vous poursuivez, le processus de rinçage des tuyaux démarre. Dès que cette opération est terminée, passez au processus de charge.
4. Saisissez le volume de charge souhaité et sélectionnez les données de charge désirées. Le côté haute pression est sélectionné par défaut.
5. Raccordez les deux tuyaux de service aux orifices de service du véhicule et ouvrez les vannes de couplage. Sélectionnez **PROCEED (POURSUIVRE)**.
6. Démarrez le processus de charge. Le fait de déplacer la machine ou de buter contre elle à ce moment-là peut entraîner une charge incorrecte. Lorsque le cycle de charge s'approche de la valeur de poids souhaitée, la machine ralentit. Celle-ci chargera, ralentira, chargera de nouveau, ralentira, et ainsi de suite.
7. Quand vous y êtes invité, effectuez l'égalisation et la compensation dans les tuyaux.

*Remarque : Il faut démarrer le véhicule pour effectuer l'égalisation des tuyaux. L'égalisation des tuyaux ajoute une quantité prédéfinie de réfrigérant pour compenser le volume des tuyaux de service.*


8. L'utilisateur sera invité à fermer les vannes de couplage et à débrancher les tuyaux du véhicule. Suivez les invites pour récupérer le réfrigérant restant dans les tuyaux.
9. Lorsque l'écran **CHARGE COMPLETE (CHARGE TERMINÉE)** apparaît, un récapitulatif des résultats de la charge s'affiche. L'utilisateur peut imprimer ce récapitulatif, sous réserve qu'une imprimante soit installée. Sélectionnez **EXIT (QUITTER)** pour revenir au **MAIN MENU (MENU PRINCIPAL)**.

Le système de climatisation de véhicule est maintenant prêt pour l'utilisation.



## Fonction automatique

La fonction **AUTOMATIC (AUTOMATIQUE)** permet à l'utilisateur d'effectuer automatiquement une récupération, une mise sous vide, un contrôle d'étanchéité et/ou une séquence de charge. Une séquence automatique complète peut durer jusqu'à une heure.

1. Branchez les tuyaux de service côté haute pression (rouge) et côté basse pression (bleu) au système de climatisation du véhicule.
2. Ouvrez les vannes de couplage des tuyaux de service en tournant les colliers dans le sens horaire.
3. Sélectionnez **AUTOMATIC (AUTOMATIQUE)**  dans le **MAIN MENU (MENU PRINCIPAL)** et saisissez les informations de service du véhicule.
4. Saisissez la durée souhaitée de la mise sous vide.
5. Choisissez d'effectuer ou non un contrôle d'étanchéité sous vide. Il est activé par défaut.
6. Saisissez le volume de charge souhaité et sélectionnez le chemin de charge. Le côté haute pression est sélectionné par défaut.  
L'unité procède ensuite automatiquement à toutes les fonctions applicables : **RECOVER (RÉCUPÉRATION)**, **VACUUM (VIDE)**, et **CHARGE (CHARGE)**. Si le véhicule en révision a déjà subi des interventions de récupération et de mise sous vide, la machine n'effectuera que le processus de **CHARGE (CHARGE)**.
7. Lorsque le processus est terminé, un récapitulatif des résultats s'affiche. L'utilisateur peut imprimer ce récapitulatif.
8. L'utilisateur sera invité à fermer les vannes de couplage et à débrancher les tuyaux du véhicule. Suivez les invites pour récupérer le réfrigérant restant dans les tuyaux. Une fois les tuyaux vidés, la machine revient au Main menu (Menu principal).

Le système de climatisation de véhicule est maintenant prêt pour l'utilisation.



**AVERTISSEMENT** : afin d'éviter toute blessure corporelle lors de la manipulation du réfrigérant, veuillez lire et suivre les consignes et avertissements du présent manuel, et porter des équipements de protection, comme des lunettes et des gants.

### Remarques :

- La fonction de **CHARGE** pour les véhicules munis d'un raccord de service unique doit être effectuée manuellement conformément aux procédures du manuel d'entretien du fabricant du véhicule.
- Si des problèmes surviennent pendant la séquence automatique, une alerte retentit trois fois. La séquence reste en mode pause jusqu'à ce que l'utilisateur prenne une décision sur la marche à suivre.



## Rinçage du système

Les tests suivants sont automatiques et réalisés conformément à la norme SAE J2843 :

- Test de vide d'une durée de 5-20 minutes pour atteindre le niveau correct
- Test d'augmentation du vide de 5 minutes
- Contrôle d'étanchéité manuel à l'aide d'un détecteur de fuites conforme à SAE J2913

Remarques :

- *Le contrôle d'étanchéité J2843 est destiné à repérer une fuite importante avant la charge, ce par mesure de sécurité. Il n'a pas pour objectif de remplacer les autres pratiques établies de contrôle d'étanchéité.*
- *Pour éviter les fausses défaillances, les températures du système du véhicule et de la machine de récupération doivent se situer dans les limites de  $\pm 5^{\circ}\text{C}$ .*

La fonction **SYSTEM FLUSH (RINÇAGE DU SYSTÈME)** est effectuée avec un adaptateur de rinçage approuvé par le fabricant du véhicule. Voir les instructions fournies avec l'adaptateur pendant l'exécution des étapes suivantes.

1. Vérifiez que le filtre et le tamis de l'appareil de rinçage ne sont pas bouchés.
2. Installez le dispositif de rinçage à l'arrière de la machine.
3. Enlevez la bouteille de vidange d'huile (voir Figure 4) de la machine Robinair. Videz la bouteille d'huile et éliminez l'huile conformément aux réglementations applicables. Réinstallez la bouteille de vidange d'huile sur la machine.
4. Récupérez tout le réfrigérant restant dans le circuit à rincer.
5. Notez la quantité d'huile recueillie au cours de la récupération. Cette quantité doit être remplacée, ainsi que toute huile recueillie au cours du rinçage.

*Remarque : La quantité d'huile recueillie et signalée pendant le rinçage du système n'inclut pas la quantité d'huile recueillie au cours de la récupération initiale.*

6. Vérifiez qu'il y a au moins 13,2 lb (6,0 kg) de réfrigérant dans la machine. La machine ne pourra pas effectuer de rinçage du système si la cuve de stockage interne ne contient pas au moins 13,2 lb (6,0 kg) de réfrigérant.

*Remarque : Si la machine ne contient pas au moins 13,2 lb (6,0 kg) de réfrigérant, voir Tank Fill.*

7. Débranchez la machine du véhicule.
8. Voir le manuel d'entretien du véhicule et branchez les adaptateurs de rinçage et les tubes de by-pass adéquats.
9. Branchez le tuyau de service côté basse pression (bleu) directement sur le filtre du kit de rinçage.
10. Retirez le coupleur de service côté haute pression (rouge) et branchez le tuyau de service côté haute pression (rouge) à l'adaptateur de la ligne d'aspiration du système.



**AVERTISSEMENT** : afin d'éviter toute blessure corporelle lors de la manipulation du réfrigérant, veuillez lire et suivre les consignes et avertissements du présent manuel, et porter des équipements de protection, comme des lunettes et des gants.

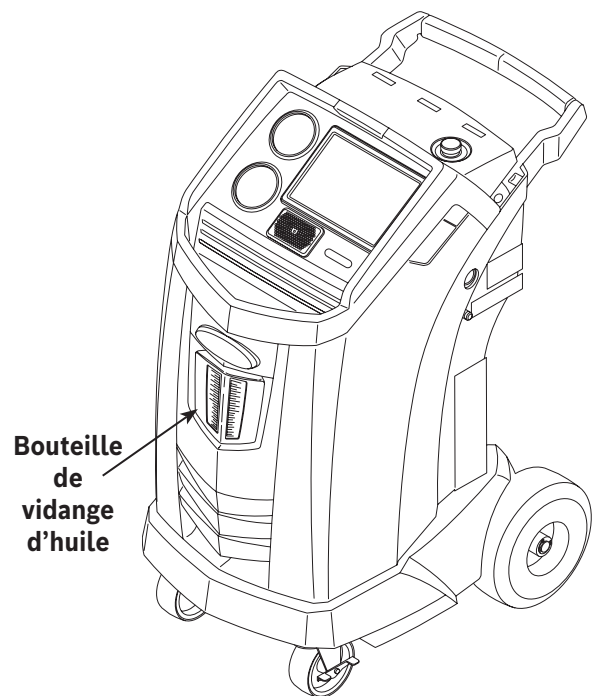


Figure 4

# Mode d'emploi

---

11. Utilisez le tuyau fourni pour raccorder l'adaptateur de décharge du système à l'entrée du dispositif de rinçage.
12. Sélectionnez **SYSTEM FLUSH (RINÇAGE DU SYSTÈME)** dans le **SETUP MENU (MENU CONFIGURATION)**. L'unité vous invite à saisir des données de service. Suivez les invites pour passer au processus de rinçage du système. L'utilisateur peut être invité à saisir une durée totale de rinçage en fonction du processus de rinçage activé.

La machine lance alors automatiquement le processus de **VACUUM (VIDE)** et procède à un contrôle d'étanchéité.

Dès que la mise sous vide et le contrôle d'étanchéité sont terminés, l'unité procède au rinçage réel du circuit, suivi d'une vidange d'huile.

13. Lorsque la vidange est terminée, un récapitulatif des résultats s'affiche. L'utilisateur peut imprimer ce récapitulatif.

Le système de climatisation de véhicule a été rincé.



**AVERTISSEMENT : NE débranchez PAS les coupleurs de service pendant le processus de rinçage. Le réfrigérant pourrait jaillir hors des raccords et une exposition pourrait provoquer des blessures corporelles.**

---

---

---

**MISE EN GARDE : le kit de rinçage dispose d'un filtre remplaçable ainsi que d'un tamis à débris qui peuvent se boucher. À la fin du cycle de rinçage, vérifiez la pression du système avec le manomètre côté haute pression (rouge) et vérifiez l'adaptateur pour vous assurer que le réfrigérant a été complètement évacué.**

**En présence de pression ou de réfrigérant, quittez le cycle de rinçage et entrez en mode de récupération pour récupérer le réfrigérant par les tuyaux côté haute pression (rouge) et basse pression (bleu). Réparez ensuite les filtres et répétez le processus de rinçage.**

---

## Programme d'entretien

Intervention	Intervalle recommandé
Remplacer le filtre	Après filtrage de 330 lb (150 kg) de réfrigérant. Voir la rubrique Entretien du filtre dans la section Entretien de ce manuel.
Vidanger l'huile de la pompe à vide	Lors du remplacement du filtre. Voir la rubrique Vidange d'huile de la pompe à vide dans la section Entretien de ce manuel.
Remplacer le tuyau d'échantillonnage de l'identificateur de réfrigérant	Pour le remplacement du filtre, voir la section Identificateur de réfrigérant de ce manuel.
Vérifier l'état des roues et des roulettes	Tous les mois.
Contrôler l'étalonnage de la balance interne	Tous les mois. Voir la rubrique Contrôle de l'étalonnage dans la section Entretien de ce manuel.
Vérifier la présence de fuites sur la machine	Tous les mois. Vérifiez la présence de fuites sur les tuyaux et les raccords. Débranchez l'alimentation, retirez le capot de protection et utilisez un détecteur de fuites électronique pour vérifier les raccords.
Nettoyer le panneau de sortie d'air (voir Figure 5)	Tous les mois. Utilisez un chiffon propre.
Nettoyer l'armoire et le panneau de commande	Tous les mois. Utilisez un chiffon propre.
Inspecter le cordon d'alimentation et les tuyaux pour repérer des traces de coupure et d'abrasion	Tous les jours.
Graisser les roulements de roues et inspecter les composants des freins	Tous les mois.
Contrôler la pression	Tous les 10 ans. Effectué par un centre de service Robinair agréé.

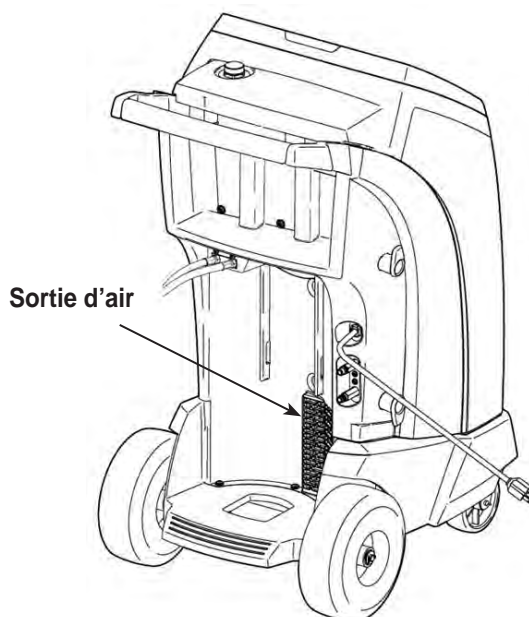


Figure 5



**AVERTISSEMENT** : pour prévenir toute blessure, seul le personnel qualifié peut réaliser les inspections et les réparations sur cette machine. Veuillez lire et suivre les consignes et avertissements du présent manuel, et porter des équipements de protection, comme des lunettes et des gants.



## Réglage de la valeur de remplissage cible en arrière-plan

Cette machine dispose d'une fonction de remplissage du réservoir en arrière-plan. Une cuve de stockage de réfrigérant externe peut être raccordée par circuit fluide à la machine (à l'aide du tuyau noir de remplissage du réservoir) pour une mise à niveau continue de la cuve de stockage interne. En puisant le réfrigérant dans la cuve de stockage externe raccordée, la machine charge périodiquement le réservoir de la cuve de stockage interne à la valeur cible de remplissage souhaitée.

1. Sélectionnez **ADJUST BACKGROUND FILL TARGET (RÉGLER LA VALEUR DE REMPLISSAGE CIBLE EN ARRIÈRE-PLAN)** dans le **SETUP MENU (MENU CONFIGURATION)**.
2. Saisissez la quantité de remplissage souhaitée, enregistrez la nouvelle valeur et quittez. Suivez les invites pour quitter et continuer à utiliser la quantité précédente saisie.

## Remplissage du réservoir

Cette option sert à transférer le réfrigérant d'un réservoir source à la cuve de stockage interne.

La capacité maximale de la cuve de stockage interne est de 21 lb (9,5 kg). Utilisez les touches fléchées pour déplacer le curseur et le pavé numérique pour saisir une valeur.

*Remarque : Ajoutez au moins 3,6 kg de réfrigérant pour garantir une quantité suffisante disponible pour la charge.*

1. Raccordez le tuyau de remplissage du réservoir (noir) au connecteur de liquide sur le réservoir source.

*Remarque : Le tuyau de remplissage du réservoir et l'orifice d'accès au réservoir ont des filets à gauche.*

2. Positionnez le réservoir source de manière à ce que le liquide réfrigérant soit acheminé vers le raccordement. Ouvrez la vanne du réservoir source et vérifiez que le réservoir n'étrangle pas l'écoulement d'air depuis l'évent.
3. Sélectionnez **TANK FILL (REPLISSAGE DU RÉSERVOIR)** dans le **SETUP MENU (MENU CONFIGURATION)**.
4. Saisissez la quantité à récupérer. La machine vérifie que le réfrigérant présent dans le réservoir source est bien du R1234yf et qu'il n'est pas contaminé.

*Remarque : Ajoutez au moins 3,6 kg de réfrigérant pour garantir une quantité suffisante disponible pour la charge.*

5. La machine commence à remplir la cuve de stockage interne et s'arrête automatiquement lorsque le niveau préréglé de remplissage du réservoir est atteint. Pour arrêter le remplissage du réservoir avant que le niveau préréglé ne soit atteint, sélectionnez **||**. Une option qui vous permet de quitter s'affiche à l'écran.
6. Une fois l'opération terminée, fermez la vanne du réservoir source et retirez le tuyau du réservoir source.



**AVERTISSEMENT** : afin d'éviter toute blessure corporelle lors de la manipulation du réfrigérant, veuillez lire et suivre les consignes et avertissements du présent manuel, et porter des équipements de protection, comme des lunettes et des gants.

## Entretien du filtre

Le filtre est conçu pour capter l'acide et les particules, et pour éliminer l'humidité du réfrigérant. Afin de répondre aux normes en matière d'élimination adéquate de l'humidité et des contaminants, il faut remplacer le filtre après filtrage de 330 lb (150 kg) de réfrigérant.

La machine émet un avertissement lorsque 220 lb (100 kg) de la capacité du filtre ont été utilisés ; elle se bloque lorsque les 330 lb (150 kg) de capacité du filtre ont été atteints et elle arrête de fonctionner.

### Vérification de la capacité de filtre restante

1. Sélectionnez **FILTER MAINTENANCE (ENTRETIEN DU FILTRE)** dans le **SETUP MENU (MENU CONFIGURATION)** ou lorsque la machine vous y invite.

La machine affiche la capacité de filtre restante jusqu'au blocage de la machine.

2. Suivez les invites pour remplacer le filtre, ou annulez pour continuer à utiliser la machine.

---

**⚠ AVERTISSEMENT : les composants de la machine sont sous haute pression. Pour éviter les blessures corporelles, changez le filtre uniquement lorsque la machine vous y invite.**

---



**AVERTISSEMENT : afin d'éviter toute blessure corporelle lors de la manipulation du réfrigérant, veuillez lire et suivre les consignes et avertissements du présent manuel, et porter des équipements de protection, comme des lunettes et des gants.**

# Entretien

## Remplacement du filtre

1. Pour changer le filtre, la machine demande la saisie du code du nouveau filtre.

Saisissez le numéro de série figurant sur le nouveau filtre, et suivez les invites pour continuer.

*Remarque : si le message « Invalid serial number » (Numéro de série invalide) s'affiche, le numéro de série n'a pas été saisi correctement, ou le filtre a déjà été utilisé sur cette machine.*

2. La machine nettoie le filtre installé, puis affiche

---

Serial number accepted (Numéro de série accepté).

Turn power off and replace filter (Débranchez la machine et remplacez le filtre).

---

Éteignez la machine. Enlevez la bouteille d'huile. Retirez les quatre vis de fixation du capot de protection. Voir Figure 6.

3. Accrochez le capot de protection à l'arrière de la machine comme illustré à la Figure 7.
4. Retirez le filtre en le tournant dans le sens anti-horaire (par rapport au bas du filtre).
5. Observez le nouveau filtre. Assurez-vous que les deux joints toriques sont graissés et insérés correctement dans les cannelures.
6. Installez le nouveau filtre en le vissant dans le sens horaire. Vérifiez que le filtre est bien positionné, comme illustré à la Figure 7. Serrez le filtre à 20 Nm.
7. Allumez la machine. Le processus de changement de l'huile de la pompe à vide commence.  
Pour plus d'informations, voir "Change Vacuum Pump Oil" on page 30 dans ce manuel.  
La machine démarre alors le processus de contrôle d'étanchéité. Pour plus d'informations, voir "Leak Check" on page 31 dans ce manuel.

---

**Mise en garde : Pour éviter d'endommager l'équipement, utilisez uniquement des filtres authentiques Robinair n ° 34724 dans cette machine. Tous les tests et les demandes de performance sont basés sur l'utilisation de ce filtre spécifique.**

---

Retirez les quatre vis de fixation du capot de protection.

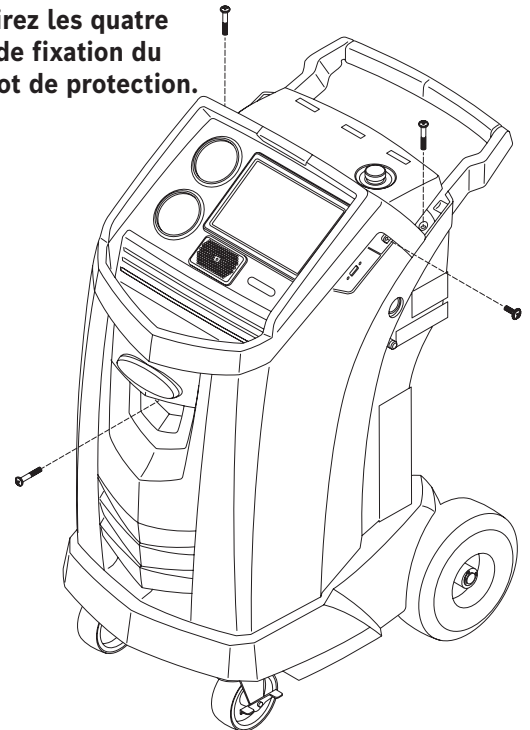


Figure 6

Accrochez le capot de protection ici

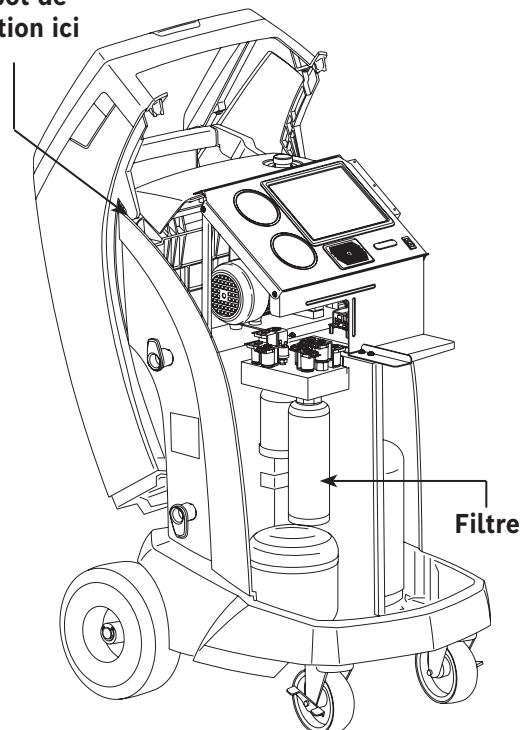


Figure 7

## Contrôle de l'étalonnage

Cette fonction sert à s'assurer que la balance interne de la machine est toujours bien étalonnée. Lors de cet essai, utilisez uniquement le poids d'étalonnage fourni avec la machine.

1. Voir Figure 8 et assurez-vous que l'aimant en bas de la machine est propre.
2. Sélectionnez **CALIBRATION CHECK (CONTRÔLE DE L'ÉTALONNAGE)** dans le **SETUP MENU (MENU CONFIGURATION)**.
3. Fixez le poids d'étalonnage à l'aimant en bas de la machine. Suivez les invites.
4. Retirez le poids d'étalonnage de l'aimant. Suivez les invites.
  - Si l'écran affiche le message « Calibration check passed » (Réussite du contrôle de l'étalonnage)

la balance est étalonnée. Suivez les invites pour revenir au Setup Menu (Menu Configuration).

- Si l'écran affiche le message « Calibration check failed (Échec du contrôle de l'étalonnage). Retry? (Réessayer?) »

la balance n'est pas étalonnée. Suivez les invites pour réessayer. Si l'étalonnage continue d'échouer, contactez un centre de service Robinair agréé pour obtenir de l'aide.

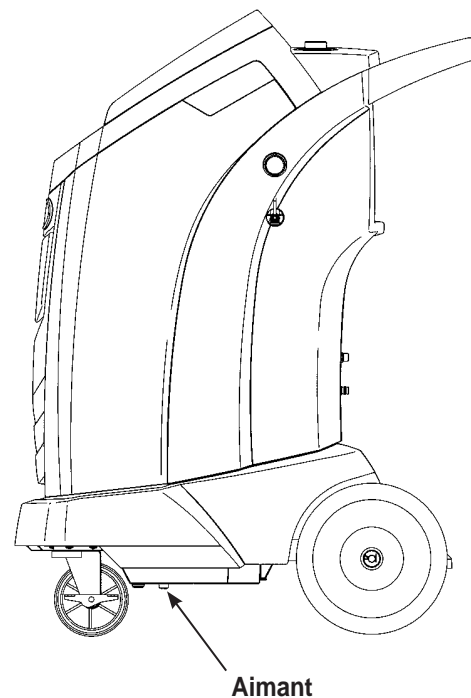


Figure 8

## Vidange d'huile de la pompe à vide

1. Sélectionnez **PUMP MAINTENANCE (ENTRETIEN DE LA POMPE)** dans le **SETUP MENU (MENU CONFIGURATION)** ou lorsque la machine vous y invite. L'écran affiche la durée de fonctionnement de la pompe depuis la dernière vidange d'huile.
2. Suivez les invites pour vidanger l'huile de la pompe à vide. Si la machine affiche un temporisateur d'avertissement, laissez tourner la pompe à vide pendant deux minutes pour réchauffer l'huile. Si l'huile est déjà chaude, suivez les invites pendant que le compresseur fonctionne pour éliminer la pression dans la pompe à vide.
3. Après arrêt du compresseur, ouvrez **lentement** le bouchon de remplissage d'huile pour vérifier l'absence de pression dans la machine. Retirez ensuite délicatement le bouchon. Voir Figure 9.
4. Retirez le bouchon de vidange d'huile et vidangez l'huile dans un récipient adéquat pour la mise au rebut. Remettez le bouchon et serrez bien. Ajoutez lentement 150 ml d'huile de pompe à vide à travers l'orifice de remplissage d'huile.
5. Ajoutez lentement de l'huile dans la pompe à vide par l'orifice de remplissage jusqu'à ce que le niveau d'huile atteigne le milieu du verre regard. Installez le bouchon sur l'orifice de remplissage de l'huile et serrez bien. Suivez les invites pour revenir au **SETUP MENU (MENU CONFIGURATION)**.

*Remarque : pour obtenir un niveau d'huile adéquat, assurez-vous que la machine se trouve sur une surface plane.*

---

**⚠ AVERTISSEMENT :** pour éviter toute blessure corporelle, n'utilisez **PAS** la machine si le bouchon de l'orifice de remplissage d'huile n'est pas installé, étant donné que la pompe à vide est pressurisée pendant le fonctionnement normal.

---

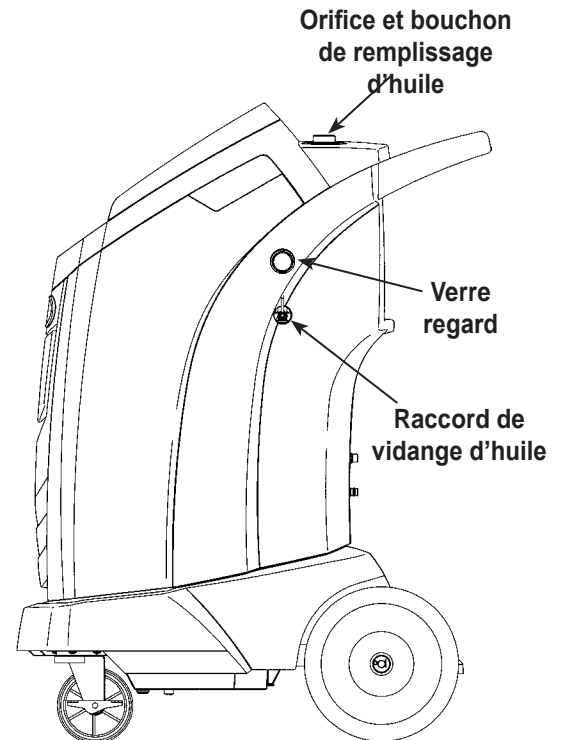


Figure 9

---

**MISE EN GARDE :** il incombe à l'utilisateur de surveiller le niveau et la pureté de l'huile de pompe à vide. Si l'huile contaminée n'est pas évacuée de la pompe à vide, puis remplacée, la pompe à vide subira des dommages permanents.

---



## Contrôle d'étanchéité

Un contrôle d'étanchéité peut être réalisé sur la machine à tout moment. Pendant ce test, les éléments contenant du réfrigérant sont pressurisés et surveillés pour repérer tout signe éventuel de baisse de pression pouvant indiquer une fuite.

1. Sélectionnez **LEAK CHECK (CONTRÔLE D'ÉTANCHÉITÉ)** dans le **SETUP MENU (MENU CONFIGURATION)**.
2. Raccordez les coupleurs de tuyaux de service aux orifices de stockage à l'arrière de la machine. Ouvrez les coupleurs en tournant les colliers dans le sens horaire.
3. Suivez les invites. La machine procède à une auto-récupération.

La machine effectue un test de vide de 30 secondes.

En cas d'échec du test de vide, la machine vous invite à vérifier l'étanchéité.

Dès que le test de vide effectué est réussi, une pression contrôlée est appliquée à ses composants internes.

La pression est maintenue pendant cinq minutes et tout signe de baisse de pression est surveillé. Le décompte des minutes et des secondes s'affiche à l'écran.

- Si une baisse de pression acceptable est détectée, la machine récupère le réfrigérant et revient au Setup Menu (Menu Configuration). Elle est alors prête à fonctionner normalement.
- Si la baisse de pression est inacceptable, la machine vous invite à vérifier l'étanchéité. Amenez la machine dans un centre de service Robinair agréé pour la faire réparer.



**AVERTISSEMENT** : afin d'éviter toute blessure corporelle lors de la manipulation du réfrigérant, veuillez lire et suivre les consignes et avertissements du présent manuel, et porter des équipements de protection, comme des lunettes et des gants.



**AVERTISSEMENT** : pour éviter toute blessure corporelle, si la machine doit être transportée vers un centre de service Robinair local, observez les réglementations locales concernant le transport d'équipement contenant du R1234yf.

## Impression d'un rapport de service

Après avoir configuré une imprimante sans fil, sélectionnez Service Data (Données de service) dans le Main Menu (Menu principal). Sélectionnez les données de service du véhicule souhaitées et suivez les invites à l'écran concernant l'impression.

## Mise à jour du logiciel

L'utilisateur peut vérifier les mises à jour disponibles du logiciel en sélectionnant Software Information (Informations sur le logiciel) à l'écran Settings (Paramètres) dans le Main Menu (Menu principal). Pour lancer la mise à jour du logiciel, il suffit d'appuyer sur l'icône de mise à jour du logiciel. L'écran peut également indiquer si le logiciel est à jour ou si aucune mise à jour du logiciel n'est disponible.

Avant de mettre à jour le logiciel, vérifiez que l'unité ACS dispose d'une solide connexion sans fil. N'interrompez pas l'alimentation pendant le processus d'installation. Suivez les invites à l'écran pour réaliser le processus d'installation.

## Remplacement du capteur d'oxygène dans l'identificateur de réfrigérant

L'identificateur de réfrigérant de la machine contient un capteur d'oxygène remplaçable qui peut affecter le fonctionnement de la machine si le capteur ne fonctionne pas correctement.

- Si la machine affiche le message suivant, remplacez immédiatement le capteur d'oxygène :

---

OPERATING TIME OF THE IDENTIFIER AND UNIT ARE LIMITED (LA DURÉE DE FONCTIONNEMENT DE L'IDENTIFICATEUR ET DE L'UNITÉ EST LIMITÉE)  
 REPLACE ID O2 SENSOR SOON (REPLACER LE CAPTEUR ID O2 AU PLUS VITE)  
 UNIT WILL BECOME NONFUNCTIONAL (L'UNITÉ NE FONCTIONNERA PLUS)

---

- Si la machine affiche le message suivant, cela signifie que le capteur d'oxygène a expiré. Ni l'identificateur ni la machine ne pourront être récupérés. Ou ajoutez du réfrigérant dans le réservoir interne.

---

ANALYZER ERROR 6 (ERREUR ANALYSEUR 6)  
 O2 SENSOR FAILURE (PANNE DU CAPTEUR O2)  
 SENSOR MUST BE REPLACED (LE CAPTEUR DOIT ÊTRE REMPLACÉ) UNIT WILL NOT RECOVER OR ALLOW TANK FILL (L'UNITÉ NE SERA PAS RÉCUPÉRÉE OU LAISSER LE RÉSERVOIR SE REMPLIR)  
 SEE MANUAL (VOIR LE MANUEL)

---

### Procédure de remplacement

1. Débranchez l'alimentation électrique de la machine.
2. Retirez la bouteille d'huile et les quatre vis de fixation du capot de protection. Voir Figure 10. Accrochez le capot de protection à l'arrière de la machine.
3. Débranchez le faisceau de câblage, le connecteur USB et le tuyau d'échantillonnage de l'identificateur. Voir Figure 11.
4. Retirez les deux vis de fixation de l'identificateur à la machine, et enlevez l'identificateur.
5. Retirez délicatement le couvercle du capteur d'oxygène hors du boîtier en faisant effet de levier. Tirez délicatement sur le couvercle et les fils jusqu'à ce que le connecteur sorte du boîtier.

---

**MISE EN GARDE : le fil raccordé au couvercle est connecté en interne à l'identificateur. Pour éviter tout dommage de l'équipement, ne tirez PAS sur ce fil.**

---

Retirez les quatre vis de fixation du capot de protection.

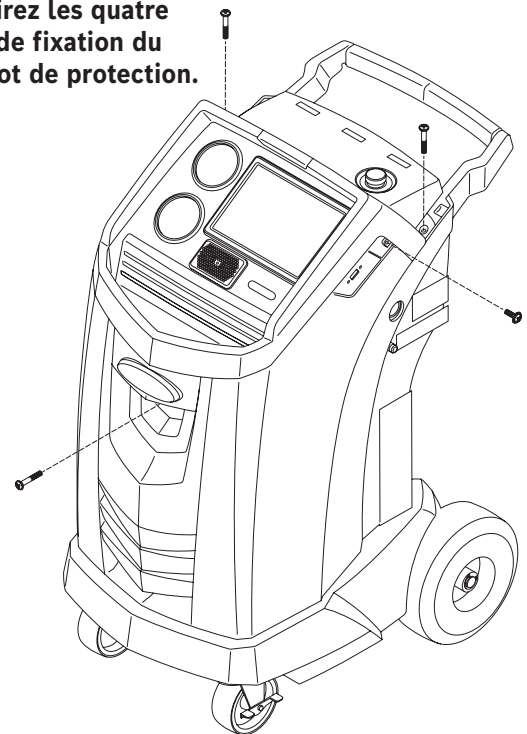
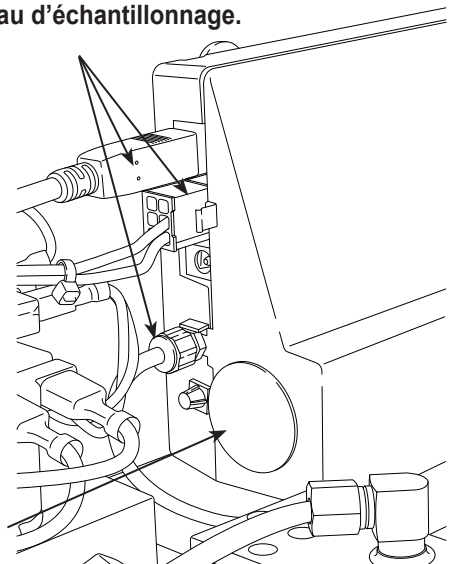


Figure 10

Débranchez le faisceau de câblage, le connecteur USB et le tuyau d'échantillonnage.



Couvercle du capteur d'oxygène

Figure 11

# Entretien

- Débranchez le faisceau de câblage au connecteur en appuyant sur l'ergot central. Séparez les connecteurs. Voir Figure 12.
- Mettez le couvercle et le faisceau de câblage sur le côté. Maintenez le conducteur du capteur et utilisez un tournevis plat pour dévisser et retirer le capteur d'oxygène. Voir Figure 13.
- Retirez le film de protection rose de l'extrémité fileté du nouveau capteur d'oxygène.
- Installez le nouveau capteur d'oxygène à l'aide du tournevis, en le vissant. Vissez le capteur au couple de 4 in.lb.
- Rebranchez le conducteur au conducteur et faites passer les fils dans l'ouverture.
- Reclipsez le couvercle. Installez l'identificateur sur la machine, et rebranchez le faisceau de câblage, le connecteur USB et le tuyau d'échantillonnage.
- Vérifiez que le câblage n'est pas plié et remettez le capot de protection en place.

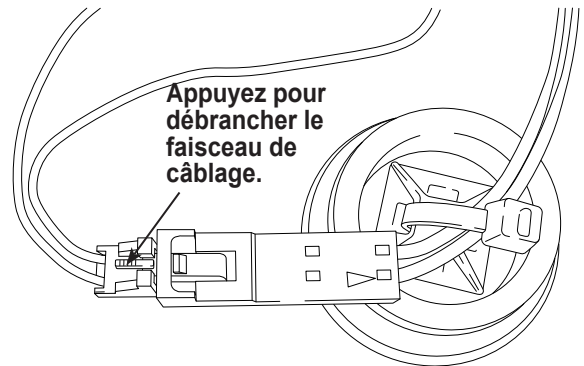


Figure 12

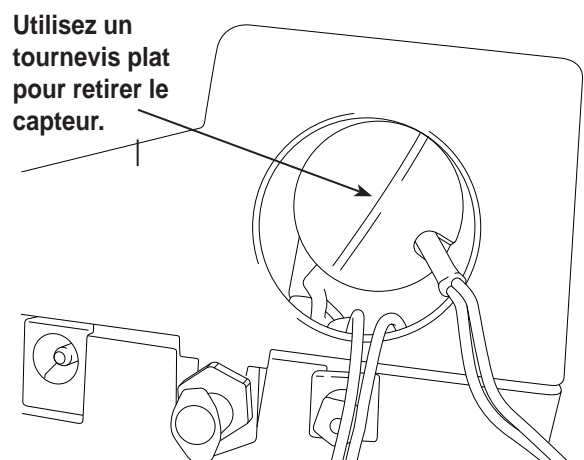


Figure 13

## Identificateur du réfrigérant

L'identificateur de réfrigérant prélève un échantillon du réfrigérant qui s'écoule dans la cuve de stockage interne et vérifie qu'il s'agit bien de R1234yf et qu'il n'est pas contaminé. Remplacez le tuyau d'échantillonnage à chaque remplacement de filtre ou quand un message d'erreur vous y invite en précisant que le tuyau est colmaté. Voir Figure 14.

- Débranchez l'ancien tuyau d'échantillonnage entre l'identificateur du réfrigérant, et installez un nouveau tuyau d'échantillonnage.  
*Remarque : Si le filtre est de n'importe autre couleur que blanc, il faut aussi remplacer le filtre.*
- Retirez le filtre hors des supports en éliminant les picots des connecteurs en caoutchouc.
- Installez un nouveau filtre, avec la flèche orientée vers le haut, comme illustré. Introduisez les picots du filtre dans les connecteurs en caoutchouc.
- Installez le capot de protection de la machine et mettez l'alimentation en marche sur **ON**.

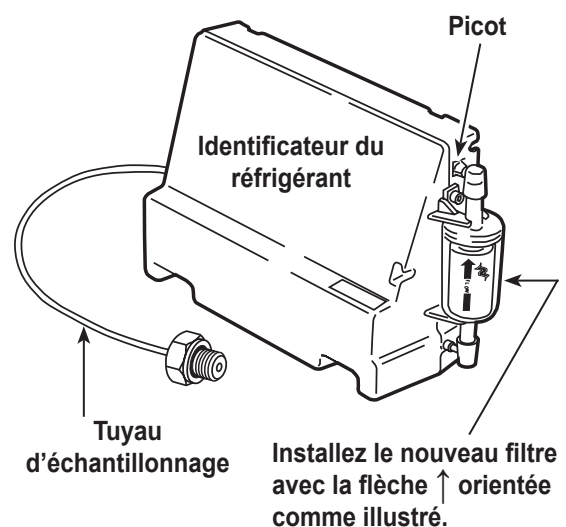


Figure 14

Remplacez le tuyau d'échantillonnage chaque fois que vous remplacez le filtre.

## Remplacement des tuyaux de service et/ou des coupleurs de service

Veillez à évacuer la pression des tuyaux de service avant de débrancher un tuyau ou un coupleur de la machine. Les manomètres doivent indiquer une pression égale ou inférieure à 0 psig.

Sélectionnez **REPLACE SERVICE HOSES (REPLACER LES TUYAUX DE SERVICE)** dans le **SETUP MENU (MENU CONFIGURATION)** pour lancer le processus.

1. La machine procède à une mise sous vide de 30 secondes pour vérifier que les tuyaux sont vides.
2. Suivez les invites pour débrancher les tuyaux.  
Retirez et remplacez les anciens tuyaux de service.
3. L'unité guide l'utilisateur pour raccorder les tuyaux aux orifices de stockage et démarrer la climatisation de l'unité.
4. Un vide est appliqué à l'unité jusqu'à ce que l'excès d'air soit éliminé des tuyaux de service.
5. La machine est maintenant prête pour l'utilisation.

## Service du filtre de tuyau de remplissage du réservoir

Le tuyau de remplissage du réservoir à l'arrière de la machine (voir Figure 15) contient un filtre qui doit être nettoyé dès que le débit de réfrigérant est étranglé.

Lorsque la machine détecte un bas débit, elle peut afficher un des messages suivants :

- SOURCE TANK EMPTY (RÉSERVOIR SOURCE VIDE), mais l'on sait que le réservoir source contient du réfrigérant, que les connexions sont bien fixées et que la vanne du réservoir source est ouverte.
- REPLACE IDENTIFIER FILTER (REPLACER LE FILTRE DE L'IDENTIFICATEUR), mais l'on sait que le filtre de l'identificateur de réfrigérant n'est pas étranglé, que le réservoir source contient du réfrigérant, que les connexions sont bien fixées et que la vanne du réservoir source est ouverte.

Le filtre du tuyau de remplissage du réservoir est peut-être colmaté.

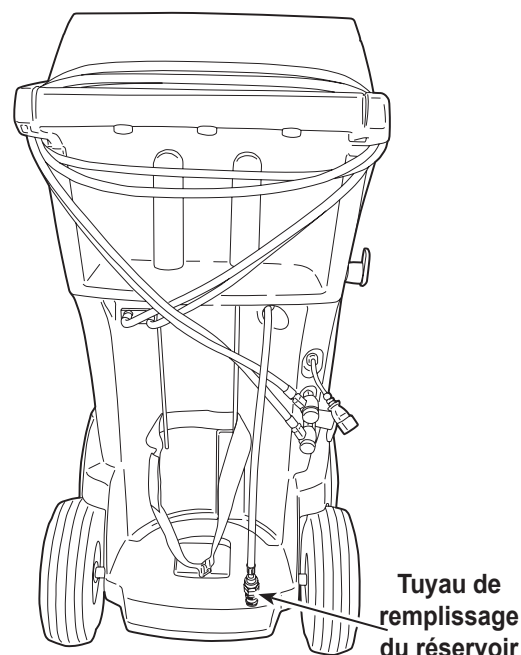


Figure 15

# Entretien

---

## Nettoyage du filtre du tuyau de remplissage du réservoir

1. Commencez par vérifier l'absence de pression dans la conduite. Débranchez le réservoir source externe et procédez à un remplissage manuel du réservoir pour récupérer le réfrigérant dans la conduite.
2. Démontez le tuyau de remplissage du réservoir au boîtier de filtre, comme illustré à la Figure 16.
3. Retirez le filtre. Il est recommandé d'utiliser de l'air comprimé pour éliminer les débris du filtre.

*Remarque : En cas d'utilisation d'un solvant, laissez sécher avant de procéder au remontage.*

4. Après avoir remonté le filtre dans son boîtier, serrez le boîtier au couple de 6 ft. lb. (8,5 N•m).

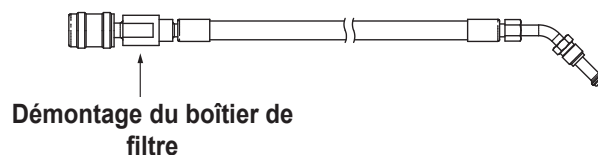


Figure 16

# Fonction de service de climatisation

## Pièces de rechange

Pour plus d'informations sur les pièces de rechange ci-dessus, contactez le service clientèle Robinair (1-800-533-6127).

Article	N° pièce de rechange
Poids d'étalonnage	16214
Filtre	34724
Bouteille de vidange d'huile	19100
Coupleur de service BP	18122
Coupleur de service HP	18123
Jeu de coupleurs de service (coupleurs côté haute pression [rouge] et côté basse pression [bleu])	18124
Ensemble de tuyaux sans coupleurs (côté haute pression [rouge] et côté basse pression [bleu])	71234
Coupleur de tuyau de service (côté basse pression, bleu)	70123
Coupleur de tuyau de service (côté haute pression, rouge)	70124
Huile de pompe à vide (pint)	13119
Huile de pompe à vide (quart)	13203
Huile de pompe à vide (gallon)	13204
Protecteur en vinyle (option)	17499
Filtre de l'identificateur	16913
Filtre à oxygène de l'identificateur	16916
Tuyau d'échantillonnage de l'identificateur	16106
Filtre du tuyau de remplissage du réservoir	10233



**AVERTISSEMENT** : pour prévenir les blessures corporelles, utilisez uniquement les pièces de rechange figurant sur cette liste de pièces. Les articles de cette liste ont été testés avec soin et sélectionnés par Robinair.

## Glossaire

**Système de climatisation** : système de climatisation du véhicule en révision.

**Évacuation** : l'humidité et les autres composés non condensables sont éliminés du système de climatisation par une pompe à vide.

**Cuve de stockage interne** : cuve de stockage de réfrigérant réutilisable conçue spécialement pour cette machine ; capacité de 20,94 lb (9,5 kg).

**Contrôle d'étanchéité (vide)** : les composants contenant du réfrigérant sont évacués et surveillés pour repérer tout signe éventuel d'augmentation de pression pouvant indiquer une fuite.

**Machine** : n° modèle AC1234-9.

**Contrôle d'étanchéité** : les éléments contenant du réfrigérant sont pressurisés et surveillés pour repérer tout signe éventuel de baisse de pression pouvant indiquer une fuite.

**Récupération / Recyclage** : le réfrigérant est récupéré d'un système de climatisation, filtré et stocké dans la cuve de stockage interne.



**Réfrigérant** : R1234yf.

# Messages de dépannage

Message	Cause	Solution
CALIBRATION CHECK FAILED (ÉCHEC CONTRÔLE DE L'ÉTALONNAGE)	La balance interne n'est pas étalonnée.	Réessayer le contrôle de l'étalonnage. Si l'étalonnage échoue encore, quittez l'essai en cours et contactez un centre de service Robinair agréé pour une réparation.
CHARGE STALLED! (CHARGE BLOQUÉE !)	Le réfrigérant est bloqué dans la cuve de stockage interne ou dans la machine.	Vérifiez que les connexions sont bien fixées, que les vannes sont à la bonne position et qu'il y a suffisamment de réfrigérant dans la cuve de stockage interne pour effectuer la charge.
DATABASE NOT AVAILABLE (BASE DE DONNÉES INDISPONIBLE)	La machine n'est pas livrée avec une base de données installée.	Pour plus d'informations, contactez un centre de service Robinair agréé.
EXCESS TANK WEIGHT (SURPOIDS RÉSERVOIR)	Le trop-plein a déclenché le circuit de sécurité. La machine est bloquée à cause d'une quantité trop importante de réfrigérant dans la cuve de stockage interne.	Pour plus d'informations, contactez un centre de service Robinair agréé.
FILTER CAPACITY EXHAUSTED, FILTER MUST BE REPLACED (CAPACITÉ DU FILTRE ÉPUISÉE. FILTRE À REMPLACER) FILTER WEIGHT XXX.XYY (POIDS FILTRÉ:XXX.XYY) REPLACE FILTER NOW? (REEMPLACER LE FILTRE MAINTENANT ?)	330 lb (150 kg) ou plus de réfrigérant ont été récupérés depuis le dernier changement de filtre.	Voir la section Entretien du filtre du présent manuel pour obtenir plus de renseignements sur le remplacement du filtre.
FILTER SERIAL NUMBER HAS ALREADY BEEN USED. (NUMÉRO DE SÉRIE DU FILTRE DÉJÀ UTILISÉ.) RE-ENTER OR EXIT? (SAISIR DE NOUVEAU OU QUITTER ?)	Le numéro de série du filtre saisi dans la machine est incorrect.	Le filtre a déjà été utilisé sur cette machine. Demandez un nouveau filtre Robinair n° 34724.
HIGH TANK PRESSURE (HP RÉSERVOIR)	La machine est bloquée, car la pression à l'intérieur de la cuve de stockage interne est trop forte, probablement à cause d'une température excessive du réservoir.	Laissez la machine refroidir avant de procéder à un entretien ultérieur du système de climatisation. Si le problème persiste, contactez un centre de service Robinair agréé pour plus d'informations.
INSUFFICIENT REFRIGERANT. (QUANTITÉ INSUFFISANTE DE RÉFRIGÉRANT.) 6.00 KG REQUIRED FOR SYSTEM FLUSH (6,00 KG REQUIS POUR RINÇAGE SYSTÈME)	La cuve de stockage interne ne contient pas assez de réfrigérant pour effectuer un rinçage du système.	Voir la rubrique Remplissage du réservoir dans la section Entretien de ce manuel.
INSUFFICIENT REFRIGERANT (QUANTITÉ INSUFFISANTE DE RÉFRIGÉRANT) AVAILABLE FOR CHARGE (DISPONIBLE POUR CHARGE) SELECTED: XX.XYYY (SÉLECTIONNÉ : XX.XYYY) AVAILABLE: XX.XYYY (INDISPONIBLE : XX.XYYY°)	Après avoir saisi le poids souhaité, si le processus de charge laisse moins de 1,4 lb (0,67 kg) de réfrigérant dans la cuve de stockage interne, la fonction de charge ne démarre pas.	Voir la rubrique Remplissage du réservoir dans la section Entretien de ce manuel.



# Messages de dépannage

Message	Cause	Solution
INVALID CODE (CODE INVALIDE)	Le code d'activation saisi dans la machine est incorrect.	Vérifiez que le code d'activation a été saisi exactement tel que vous l'avez reçu. Vous devez utiliser des lettres majuscules.
INVALID SERIAL NUMBER! (NUMÉRO DE SÉRIE INVALIDE !)	Le numéro de série du filtre saisi dans la machine est incorrect.	Vérifiez que le numéro de série saisi correspond à celui figurant sur le filtre. Vérifiez que le filtre n'a pas été utilisé au préalable sur la machine.
NO PRESSURE ON INLETS (PAS DE PRESSION AUX ORIFICES) CHECK CONNECTIONS (VÉRIFIER RACCORDS) RECOVER ANYWAY? (RÉCUPÉRER QUAND MÊME ?)	La pression du système est inférieure à 0,35 bar.	Assurez-vous que les tuyaux côté haute pression (rouge) et basse pression (bleu) sont branchés et que les vannes de couplage sont ouvertes. Sélectionnez  pour RÉCUPÉRER ; sélectionnez  pour by-passer la récupération et passer à MISE SOUS VIDE.
OIL DRAIN HALTED. (ARRÊT VIDANGE D'HUILE.) PRESSURE ERROR, (ERREUR DE PRESSION,) RETRY OR EXIT? (RÉESSAYER OU QUITTER ?)	La pression de l'accumulateur n'a pas réussi à dépasser 1,10 bar pendant la minute qui précède une vidange d'huile possible.	Une pression adéquate est nécessaire dans l'accumulateur pour que l'huile séparée du réfrigérant soit purgée du système.
OIL DRAIN HALTED. (ARRÊT VIDANGE D'HUILE.) FLOW ERROR, (ERREUR DE DÉBIT) RETRY OR EXIT? (RÉESSAYER OU QUITTER ?)	La pression de l'accumulateur n'est pas descendue sous 0,62 bar, ce qui signifie que l'huile ne s'est pas toute évacuée avant la fin du délai de vidange d'huile.	L'unité a peut-être besoin de temps pour évacuer toute l'huile en raison de la basse température, de la viscosité d'huile élevée ou d'une grande quantité d'huile.
OIL LIFE REMAINING XX-:XXX (TEMPS RESTANT HUILE XX:XXX) CHANGE OIL NOW? (VIDANGER L'HUILE MAINTENANT ?)	L'écran affiche la durée de vie restante d'huile avant que la machine se bloque.	Pour plus de renseignements sur la vidange de la pompe à huile, voir la section Entretien de ce manuel.
OUT OF RANGE ACCUMULATOR PRESSURE (PRESSION D'ACCUMULATEUR HORS PLAGE)	Le détecteur de pression de l'accumulateur ne détecte pas correctement la pression.	Quittez l'essai en cours et contactez un centre de service Robinair agréé pour plus d'informations.
OUT OF RANGE ISV PRESSURE (PRESSION DE CUVE DE STOCKAGE INTERNE HORS PLAGE)	Le détecteur de pression de la cuve de stockage interne ne détecte pas correctement la pression.	Quittez l'essai en cours et contactez un centre de service Robinair agréé pour plus d'informations.
OUT OF RANGE ISV TEMPERATURE (TEMPÉRATURE DE CUVE DE STOCKAGE INTERNE HORS PLAGE)	Le détecteur de température de la cuve de stockage interne ne détecte pas correctement la température.	Quittez l'essai en cours et contactez un centre de service Robinair agréé pour plus d'informations.
OUT OF RANGE LS PRESSURE SENSOR (CAPTEUR DE PRESSION CÔTÉ BP HORS PLAGE)	Le détecteur côté basse pression ne détecte pas correctement la pression.	Quittez l'essai en cours et contactez un centre de service Robinair agréé pour plus d'informations.

# Messages de dépannage

Message	Cause	Solution
POWER BOARD COMMUNICATION FAILED (ÉCHEC COMMUNICATION CARTE ALIMENTATION)	Échec de la communication avec la carte de relais.	Éteignez, puis rallumez la machine. Si le problème persiste, contactez un centre de service Robinair agréé pour plus d'informations.
PRESSURE LEAK TEST FAILED (ÉCHEC CONTRÔLE D'ÉTANCHÉITÉ PRESSION) CHECK UNIT FOR LEAKS (VÉRIFIER PRÉSENCE FUITES)	Fuite dans le système de climatisation de véhicule.	Quittez l'essai en cours et procédez aux réparations du système de climatisation du véhicule.
PURITY TEST FAILED (ÉCHEC TEST DE PURETÉ)	Le réfrigérant testé n'est pas du R1234yf ou est contaminé.	Ne récupérez pas du réfrigérant contaminé dans la machine ; utilisez une unité de récupération de réfrigérant externe spécialement dédiée au réfrigérant contaminé. Voir Récupération du réfrigérant d'un véhicule, p. 17.
SOURCE TANK IS EMPTY (RÉSERVOIR SOURCE VIDE)	Le réfrigérant ne peut pas être transféré vers la cuve de stockage interne car le réservoir source est vide.	Quittez l'essai en cours et remplacez le réservoir source.
TANK FULL. REMOVE REFRIGERANT BEFORE CONTINUING (RÉSERVOIR PLEIN. PURGER DU RÉFRIGÉRANT AVANT DE CONTINUER)	La cuve de stockage interne est trop pleine pour récupérer plus de réfrigérant.	Lancez un processus de charge pour purger le réfrigérant de la cuve de stockage interne avant d'effectuer d'autres tentatives de récupération.
TRIAL PERIOD EXPIRED. UNIT ACTIVATION REQUIRED TO CONTINUE USE (PÉRIODE ESSAI EXPIRÉE, ACTIVER UNITÉ POUR POURSUIVRE)	Si vous ne vous enregistrez pas et que vous n'activez pas la machine dans les 30 jours suivant le démarrage initial, la machine se verrouillera et ne fonctionnera plus.	Pour l'enregistrement de la machine, voir la section Activation de l'unité dans ce manuel.
VACUUM TEST FAILED. (ÉCHEC TEST VIDE) CHECK SYSTEM FOR LEAKS (VÉRIFIER PRÉSENCE FUITES SYSTÈME)	Fuite dans le système de climatisation de véhicule.	Quittez l'essai en cours et procédez aux réparations du système de climatisation du véhicule.
PRESS CONTINUE TO HOSE EQUALIZE (APPUYER SUR CONTINUER POUR ÉGALISER LES TUYAUX)  PRESS ABORT TO HOSE COMPENSATE (APPUYER SUR ANNULER POUR COMPENSER LES TUYAUX)	Choisissez la méthode de service de charge.	Choisissez la touche F3 pour effectuer le service d'égalisation des tuyaux. Il faut mettre le véhicule en marche pour effectuer la procédure. Ou choisissez F3 pour procéder à la compensation.
CLOGGED FILTER (FILTRE COLMATÉ)	Le débris présents dans le filtre de rinçage peuvent étrangler le débit.	Suivez les instructions à l'écran. Récupérez le réfrigérant et remplacez le filtre.
INSUFFICIENT VACUUM FOR SETUP (VIDE INSUFFISANT POUR LA CONFIGURATION)	Fuite détectée dans le système de climatisation.	Contactez le centre de service.

# Messages de dépannage

Message	Cause	Solution
FILTER CAPACITY LOW (CAPACITÉ DE FILTRE FAIBLE)	Message d'avertissement de la nécessité de remplacer prochainement le filtre.	<i>Le filtre se bloquera bientôt. Remplacez les filtres. Voir les informations à l'écran pour commander les pièces.</i>
O2 SENSOR ON THE IDENTIFIER WILL HAVE TO BE REPLACED SOON (LE CAPTEUR O2 DE L'IDENTIFICATEUR DEVRA BIENTÔT ÊTRE REMPLACÉ)	Message d'avertissement de la nécessité de remplacer prochainement le capteur O2 de l'identificateur.	<i>Le système se bloque dès que le capteur décline. Contactez le centre de service pour remplacer le capteur O2.</i>
VACUUM LEAK TEST FAILED (ÉCHEC TEST D'ÉTANCHÉITÉ SOUS VIDE)	Fuite détectée dans le système de climatisation du véhicule.	<i>Quittez l'essai en cours et procédez aux réparations du système de climatisation.</i>
PRESSURE LEAK TEST FAILED (ÉCHEC TEST D'ÉTANCHÉITÉ SOUS PRESSION)	Fuite détectée dans le système de climatisation du véhicule.	<i>Quittez l'essai en cours et procédez aux réparations du système de climatisation.</i>
REFRIGERANT IDENTIFIER ERROR (ERREUR IDENTIFICATEUR DE RÉFRIGÉRANT)	Problème de connexion à l'identificateur.	<i>Suivez les instructions à l'écran. Si le problème persiste, contactez le centre de service.</i>
PRINTER OUT OF PAPER (PLUS DE PAPIER DANS L'IMPRIMANTE)	Bac à papier de l'imprimante vide.	<i>Remplissez de papier et continuer.</i>
USED OIL BOTTLE FULL (BOUEILLE D'HUILE USAGÉE PLEINE)	La bouteille d'huile usagée est totalement remplie.	<i>Videz la bouteille pour éviter le débordement d'huile.</i>
AIR FLOW ERROR (ERREUR DÉBIT D'AIR)	Débit d'air insuffisant dans l'équipement.	<i>Vérifiez la présence d'une obstruction éventuelle. L'utilisation de la machine n'est pas sécurisée. Contactez le centre de service.</i>
REAL-TIME CLOCK FAILURE (ERREUR HORLOGE TEMPS RÉEL)	L'horloge du système est incorrecte.	<i>Contactez le centre de service. L'heure indiquée par la machine est incorrecte. Les données enregistrées et imprimées sur la machine ne sont pas correctes.</i>
VACUUM HALTED. (ARRÊT DU VIDE.) INLET PRESSURE IS TOO HIGH. (PRESSION D'ADMISSION TROP ÉLEVÉE.)	La mise sous vide ne peut pas être effectuée à une pression d'admission élevée.	<i>Vérifiez la pression. Procédez à la récupération.</i>

# Procédures de dépannage

## Fonctions de configuration, remplissage du réservoir et remplissage du réservoir en arrière-plan

### Message affiché : Purity Test Failed (Échec test de pureté)

Pendant la **CONFIGURATION**, le **REPLISSAGE DU RÉSERVOIR** ou le **REPLISSAGE DU RÉSERVOIR EN ARRIÈRE-PLAN**, si la machine affiche

---

purity test failed (Échec test de pureté)  
recover contaminated  
refrigerant from system  
and hoses. (Récupérer le réfrigérant contaminé du système et des tuyaux)  
ok to Retry esc to quit (OK pour réessayer, esc pour quitter)

---

Soit le réfrigérant présent dans le réservoir source n'est pas R1234yf ou il est contaminé. Quoi qu'il en soit, il ne doit pas être versé dans la cuve de stockage interne de la machine. Il faut évacuer le réfrigérant contaminé échantillonné par l'identificateur du réfrigérant dans la machine.

Il faut une machine de récupération de réfrigérant contaminé spécifique (Robinair 25700) pour procéder aux étapes suivantes. Voir Figure 17.

1. Branchez l'adaptateur du tuyau de remplissage du réservoir (fourni avec le kit d'accessoires) au coupleur basse pression de la machine de récupération de réfrigérant 25700.
2. Branchez l'autre extrémité de l'adaptateur au raccord du tuyau de remplissage du réservoir à la machine.
3. Branchez la tuyau de refoulement à un réservoir spécifiquement conçu pour le réfrigérant contaminé.
4. Démarrez la machine 25700 et ouvrez la vanne de couplage. Procédez à une récupération jusqu'à ce que le manomètre de la machine 25700 indique un vide.
5. Arrêtez la machine 25700.
6. Débranchez lentement et délicatement l'adaptateur du tuyau de remplissage du réservoir à la machine 25700. Il peut rester un peu de pression dans la conduite.

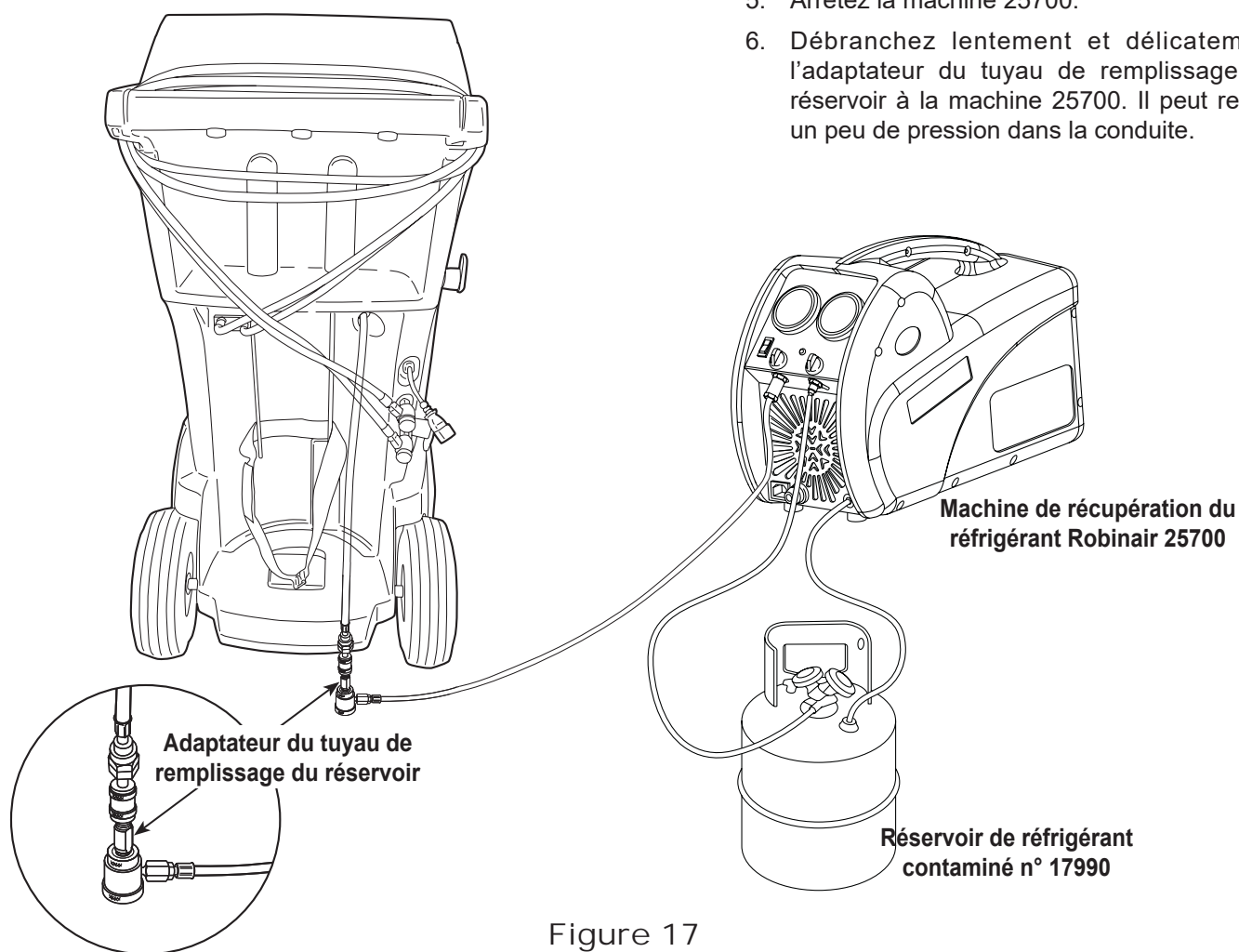


Figure 17

## Fonction de récupération ou fonction automatique

### **Message affiché : Purity Test Failed (Échec test de pureté)**

Pendant la fonction de **RÉCUPÉRATION** ou de **RÉCUPÉRATION AUTOMATIQUE**, si la machine affiche des information sur le test de pureté.

En cas d'échec du test de pureté, le réfrigérant présent dans le réservoir source ou le système de climatisation de véhicule soit est contaminé, soit n'est pas du R1234yf. Quoi qu'il en soit, il ne doit pas être versé dans la cuve de stockage interne de la machine.

Il faut évacuer le réfrigérant contaminé échantillonné par l'identificateur du réfrigérant dans la machine.

**Il faut une machine de récupération de réfrigérant contaminé spécifique (Robinair 25700) pour procéder aux étapes suivantes.**

1. Machine toujours raccordée au véhicule et coupleurs ouverts, branchez le coupleur côté basse pression (bleu) de la machine 25700 à l'orifice de récupération du réfrigérant contaminé à l'arrière de la machine. Voir Figure 18. Ouvrez les vannes de couplage.
2. Branchez le tuyau de refoulement de la machine 25700 à un réservoir spécifiquement conçu pour le réfrigérant contaminé.
3. Démarrez la machine 25700 et procédez à une récupération conformément aux instructions fournies avec la machine.
4. Dès que le vide est effectué dans le véhicule (ou selon les instructions de la machine de récupération), débranchez la 25700 de la machine.
5. Éliminez tout le réfrigérant contaminé du véhicule selon les instructions du fabricant du véhicule avant de poursuivre le service.

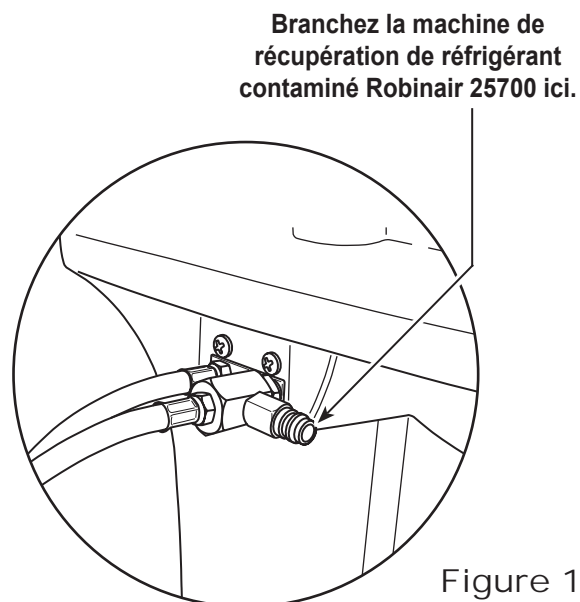


Figure 18

# Entreposage et transport de l'équipement


## Entreposage

Ne laissez jamais la machine sous tension si vous ne prévoyez pas de l'utiliser immédiatement.

1. Débranchez l'alimentation électrique de la machine.
2. Faites passer deux fois les tuyaux de service autour de la poignée et attachez-les aux orifices de stockage. Voir Figure 19.
3. Entreposez la machine dans un lieu sec, stable et loin de flammes et surfaces chaudes. La température de la zone de stockage doit se situer entre 0°F et 140°F (-18°C et 60°C).
4. Calez les roues avant.

## Transport de l'équipement

---

 **AVERTISSEMENT** : pour éviter toute blessure corporelle, si la machine doit être transportée vers un centre de service Robinair, observez les réglementations locales concernant le transport d'équipement contenant du R1234yf.

---

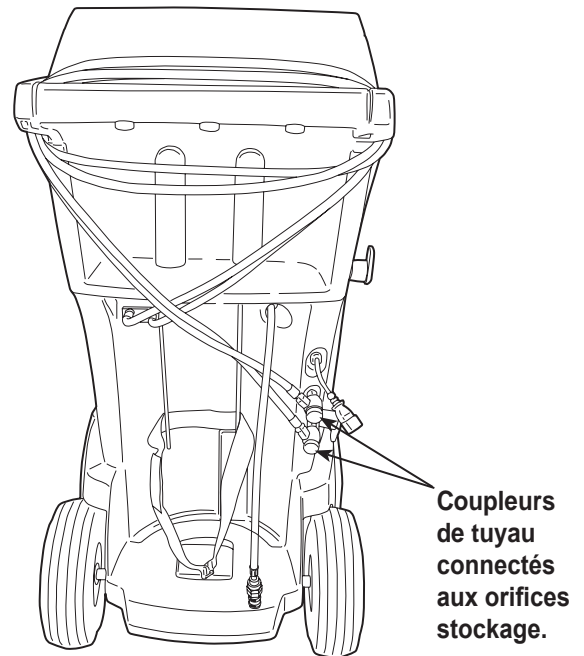


Figure 19

# Mise au rebut de l'équipement

---



À la fin de son cycle d'utilisation, éliminez la machine au R1234yf conformément aux réglementations gouvernementales actuelles.

- L'administration publique et les fabricants d'équipements électriques/électroniques (EEE) facilitent le processus de réutilisation et de récupération des déchets électriques/électroniques par l'organisation de collectes et de programmes de planification appropriés.
- Ne mettez pas au rebut ces équipements avec les déchets municipaux. Vous devez organiser leur collecte séparée. La mise au rebut non autorisée des déchets d'équipements électroniques et électriques est punie par la loi par des peines appropriées.
- La réutilisation et le recyclage corrects des équipements électroniques et électriques (EEE) sont nécessaires à la protection de l'environnement et au bien-être de l'humanité.

## Mise au rebut des matériaux recyclés

Il incombe à l'utilisateur de repérer les substances dangereuses au moment de la mise au rebut des différents éléments. L'utilisateur doit se conformer aux lois et aux réglementations en vigueur.

1. Amenez le réfrigérant récupéré dans les systèmes de climatisation à des fournisseurs de gaz pour qu'il soit recyclé ou mis au rebut.
2. Amenez les lubrifiants extraits des systèmes de climatisation aux centres de collecte d'huile usagée.
3. Consultez les lois en vigueur dans votre région afin de déterminer les procédures de mise au rebut appropriées pour l'huile de la pompe.

## Mise au rebut de la machine

1. Détachez et purgez le gaz du circuit de la machine. Videz complètement le réservoir du réfrigérant conformément aux réglementations gouvernementales actuelles.
2. Amenez la machine dans un centre de mise au rebut agréé.

## Mise au rebut des batteries



À la fin de leur durée d'utilisation, mettez au rebut les batteries conformément aux réglementations gouvernementales actuelles. Les batteries doivent être recyclées ou mises au rebut correctement. Ne jetez pas les batteries avec les ordures ménagères habituelles.



**AVERTISSEMENT : pour éviter les blessures, ne jetez pas les batteries dans des flammes nues.**

---

**MISE EN GARDE : les systèmes R1234yf comportent des raccords spéciaux (conformes aux normes SAE) pour éviter toute contamination croisée. N'adaptez pas votre machine à un autre système de réfrigérant, cela provoquera des défaillances.**

---

# Remarques

---





# Remarques

---

## Limited Warranty Statement

Rev. May 15, 2015

This product is warranted to be free from defects in workmanship, materials, and components for a period of one year from date of purchase. All parts and labor required to repair defective products covered under the warranty will be at no charge. The following restrictions apply:

1. The limited warranty applies to the original purchaser only.
2. The warranty applies to the product in normal usage situations only, as described in the Operating Manual. The product must be serviced and maintained as specified.
3. If the product fails, it will be repaired or replaced at the option of the manufacturer.
4. Transportation charges for warranty service will be reimbursed by the factory upon verification of the warranty claim and submission of a freight bill for normal ground service. Approval from the manufacturer must be obtained prior to shipping to an authorized service center.
5. Warranty service claims are subject to authorized inspection for product defect(s).
6. The manufacturer shall not be responsible for any additional costs associated with a product failure including, but not limited to, loss of work time, loss of refrigerant, cross-contamination of refrigerant, and unauthorized shipping and/or labor charges.
7. All warranty service claims must be made within the specified warranty period. Proof-of-purchase date must be supplied to the manufacturer.
8. Use of recovery/recycling equipment with unauthorized refrigerants or sealants will void warranty.
  - Authorized refrigerants are listed on the equipment or are available through the Technical Service Department.
  - The manufacturer prohibits the use of the recovery/recycling equipment on air conditioning (A/C) systems containing leak sealants, either of a seal-swelling or aerobic nature.

### This Limited Warranty does NOT apply if:

- The product, or product part, is broken by accident.
- The product is misused, tampered with, or modified.
- The product is used for recovering or recycling any substance other than the specified refrigerant type. This includes, but is not limited to, materials and chemicals used to seal leaks in A/C systems.

## Declaración de garantía limitada

Revisión del 15 de mayo de 2015

Se garantiza que este producto no posee defectos de mano de obra, materiales y componentes por el período de un año a partir de la fecha de compra. Todas las partes y mano de obra requerida para reparar los productos con defecto cubiertos bajo la garantía no tendrán costo. Aplican las siguientes restricciones:

1. La garantía limitada aplica al comprador original únicamente.
2. La garantía aplica al producto en situaciones de uso normal únicamente, como lo indica el Manual de funcionamiento. Al producto se le debe dar servicio y mantenimiento como se especifica.
3. Si falla el producto, se debe reparar o reemplazar a discreción del fabricante.
4. Los cargos de transporte de servicio de garantía serán reembolsados por la fábrica al verificar el reclamo de garantía y presentar una boleta de flete por servicio terrestre regular. Se debe obtener la aprobación del fabricante antes de hacer el envío a un centro de servicio autorizado.
5. Los reclamos de servicio de garantía están sujetos a inspección de defectos del producto.
6. El fabricante no será responsable de los costos adicionales relacionados con fallas en el producto, que incluyen pero no se limitan a, tiempo improductivo, pérdida de refrigerante, contaminación de refrigerante y envío no autorizado o cargos por mano de obra.
7. Todo reclamo de servicio de garantía se debe hacer dentro del período de garantía establecido. Se debe proporcionar la fecha de la prueba de compra al fabricante.
8. El uso de equipo de recuperación/reciclaje con refrigerantes o selladores no autorizados anula la garantía.
  - Los refrigerantes autorizados se indican en el equipo o están disponibles a través del Departamento de servicio técnico.
  - El fabricante prohíbe el uso de equipo de recuperación/reciclaje en sistemas de aire acondicionado (A/C) con fugas de sellador, ya sea porque un sello se infla o es de naturaleza aeróbica.

### Esta garantía limitada NO aplica si:

- El producto, o parte de éste, se rompe accidentalmente.
- El producto se usa incorrectamente, se adultera o modifica.
- El producto se usa para recuperar o reciclar cualquier sustancia que sea diferente al tipo de refrigerante establecido. Esto incluye, pero no se limita a materiales y productos químicos utilizados para sellar fugas en sistemas de A/C.

## Énoncé de la garantie limitée

Révisée le 15 er mai 2015

Ce produit est couvert contre les défauts de matériau, de fabrication et de composant pendant un ans à compter de la date d'achat. Toutes les pièces et la main-d'œuvre nécessaires aux réparations sous garantie sont sans frais. Toutefois, les restrictions suivantes s'appliquent :

1. La garantie limitée s'applique uniquement à l'acheteur initial.
2. La garantie s'applique uniquement au produit utilisé dans des conditions de fonctionnement normales conformément au manuel d'utilisation. Il doit être réparé et entretenu conformément aux spécifications.
3. Si le produit subit une défaillance, il sera réparé ou remplacé à la discrétion du fabricant.
4. Les frais de transport pour les réparations sous garantie sont remboursés par l'usine après l'évaluation de la réclamation au titre de la garantie et après la soumission d'une facture de transport terrestre standard. L'approbation du fabricant est requise avant l'expédition du produit à un atelier de réparation autorisé.
5. Les réclamations au titre de la garantie sont sujettes à l'inspection du produit défectueux par un personnel autorisé.
6. Le fabricant ne peut être tenu responsable pour tout coût supplémentaire lié à la défaillance du produit incluant, sans toutefois s'y limiter, les interruptions de fonctionnement, la perte de liquide frigorigène, la contamination des liquides frigorigènes et l'expédition et/ou les frais de main-d'œuvre soumis par des ateliers non autorisés.
7. Toute réclamation pour des réparations au titre de la garantie doit être soumise durant la période de garantie. Une preuve d'achat doit être fournie au fabricant.
8. L'utilisation d'un appareil de récupération et de recyclage avec du liquide frigorigène ou des scellants non spécifiés annule la garantie.
  - Les liquides frigorigènes autorisés sont indiqués sur l'appareil, ou ils peuvent être obtenus auprès du Service technique.
  - Le fabricant interdit l'utilisation d'un appareil de récupération et de recyclage dans les systèmes de climatisation contenant des colmatants pour fuites, que ce soient des scellants à dilatation ou aérobiques.

### Cette garantie limitée NE s'applique PAS si le produit :

- ou une partie du produit a été endommagé par un accident.
- a été utilisé de façon inadéquate, ou qu'il a été altéré ou modifié.
- est utilisé pour la récupération et le recyclage de substances autres que le type de liquide frigorigène spécifié. Ces substances comprennent, sans toutefois s'y limiter, les matériaux et les produits chimiques utilisés pour colmater les fuites des systèmes de climatisation.

**ROBINAIR**

655 Eisenhower Drive  
Owatonna, MN 55060 USA  
Technical Services: 1-800-822-5561  
Fax: 1-866-259-1241  
Customer Service: 1-800-533-6127  
Fax: 1-800-322-2890

[www.robinair.com](http://www.robinair.com)